



Crane Scales

Measuring Excellence



1000鍊條型過載探測器(裝在鍊條固定端) 1000 - Chain Type Overload Detector

The 1000 chain type overload detector is designed to be installed on the dead end of a chain hoist, for detection and prevention of dangerous overload.

The 1000 is a low headroom, electromechanical overload guard. It may be configured to trigger any desired electrical alarm supplied by the customer, including stopping the lift, for overload detection and prevention when an unsafe overload condition occurs.

The devices are supplied factory-calibrated and ready for installation. Available in a wide variety of capacities, the 1000 can be supplied in capacities ranging from 500 lbs (250 kgs) to 20,000 lbs (10,000 kgs). Each unit is initially adjusted to give the user an overload indication at 105% of rated capacity. An additional detection point is optional.

1000 overload detectors are factory-adjusted and supplied with a test certificate, including a proof load certificate.



Specifications 規格

Safety Factor: 5:1. Each system proof-loaded to 200% of capacity (certified).

Switching Nature: Normally open and/or normally closed.

Rating: 0.5A @ 50 VDC, 0.5A @ 125 VAC.

Life Expectancy: Electrical: over 1 million operations. Mechanical: over 5 million operations.

Approved by: UL, CSA, Semko VDE.

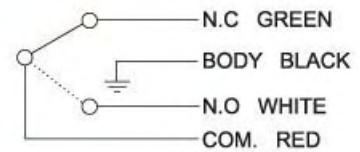
Environment: Weatherproof, NEMA 4, IP 65.

Temperature Range: -4°F to +175°F (-20°C to +80°C).

Cable Length: 9.5' (3m).

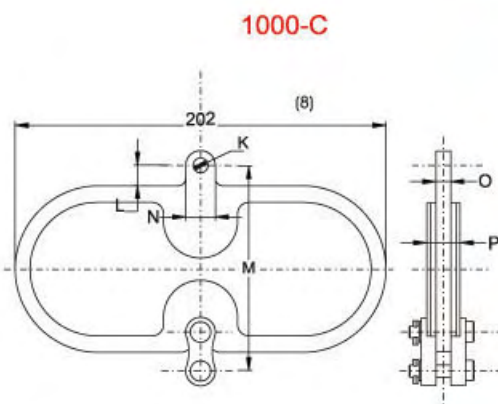
Material: High strength, low alloy steel.

Wiring:



Options 選用

- Additional detection point
- Fatigue rated structure



Cat. No.	Chain size		Hoist cap.		K		L		M Max		N Max		O Max		P Max	
	mm	inch	tons		mm	inch	mm	inch	mm	inch	mm	inch	mm	inch	mm	inch
C-7	6	7 1/4	1.6	3	8	0.31	12	0.47	115	4.5	20	0.79	6.5	0.26	19	0.75
			2	3.2												
			1.6	3												
C-9	8	9 5/16 3/8	2	3.2	10	0.39	16	0.63	120	4.7	25	1	8.5	0.34	21	0.83
			2.5	4												
			2	3.2												
C-11	10	11 7/16	2.5	4	12	0.47	17	0.67	122	4.8	30	1.2	10.5	0.41	23	0.91
			3	5												
			2.5	4												
C-13	13	1/2	3	5	14	0.55	19	0.75	122	4.8	32	1.3	12.5	0.5	25	0.1
			3.2	6												
			2.5	4												

WHEN USING THE OVERLOAD DETECTOR, USE LIFTING ACCESSORIES WITH S.W.L. (SAFE WORKING LOAD) EQUAL TO, OR GREATER THAN THAT OF THE DETECTOR.
Elon Engineering reserves the right to make changes without notice.





Crane Scales

Measuring Excellence



1000 鈎頭型過載探測器 (裝在主吊上鈎頭)

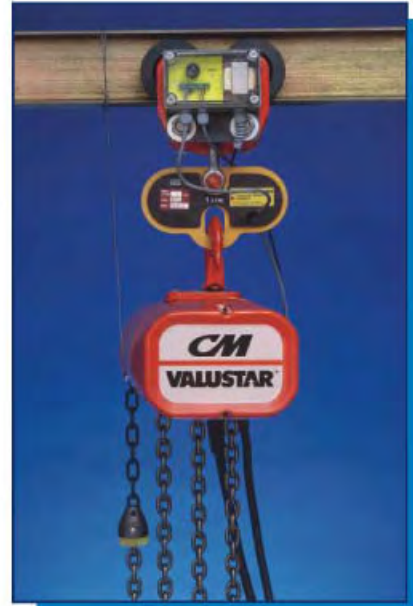
1000 - Hook Type Overload Detector

The 1000 hook type overload detector is designed to be installed directly between the hoist and its trolley, for detection and prevention of dangerous overload.

The 1000 is a low headroom, electromechanical overload detector. It may be configured to trigger any desired electrical alarm supplied by the customer, including stopping the lift, for overload detection and prevention when an unsafe overload condition occurs.

The devices are supplied factory-calibrated and ready for installation. Available in a wide variety of capacities, the 1000 can be supplied in capacities ranging from 500 lbs (250 kgs) to 20,000 lbs (10,000 kgs). Each unit is initially adjusted to give the user an overload indication at 105% of rated capacity. An additional detection point is optional.

1000 overload detectors are factory-adjusted and supplied with a test certificate, including a proof load certificate.



Specifications 規格

Safety Factor: 5:1. Each system proof-loaded to 200% of capacity (certified).

Switching Nature: Normally open and/or normally closed.

Rating: 0.5A @ 50 VDC, 0.5A @ 125 VAC.

Life Expectancy: Electrical: over 1 million operations. Mechanical: over 5 million operations.

Approved by: UL, CSA, Semko VDE.

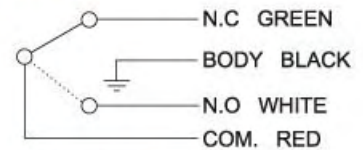
Environment: Weatherproof, NEMA4, IP 65

Temperature Range: -4°F to +175°F (-20°C to +80°C).

Cable Length: 9.5' (3m).

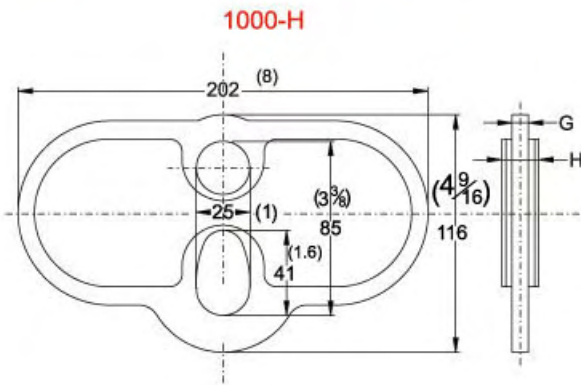
Material: High strength, low alloy steel.

Wiring:



Options 選用

- Additional detection point
- Fatigue rated structure



WHEN USING THE OVERLOAD DETECTOR USE LIFTING ACCESSORIES WITH S.W.L. (SAFE WORKING LOAD) EQUAL TO, OR GREATER THAN THAT OF THE DETECTOR.
Eilon Engineering reserves the right to make changes without notice.

Cat. No.	Cap. tons	G (max)		H (max)	
		mm	inch	mm	inch
H-002	0.25	7	5/16	19	3/4
H-005	0.5	7	5/16	19	3/4
H-007	0.75	7	5/16	19	3/4
H-008	0.8	7	5/16	19	3/4
H-01	1.0	7	5/16	19	3/4
H-012	1.25	7	5/16	19	3/4
H-015	1.5	9	3/8	21	13/16
H-016	1.6	9	3/8	21	13/16
H-02	2.0	11	7/16	23	7/8
H-025	2.5	13	9/16	25	1.0
H-03	3.0	15	5/8	27	11/16
H-032	3.2	15	5/8	27	11/16





Crane Scales

Measuring Excellence



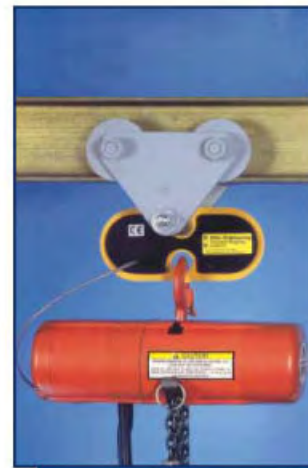
1000鈎頭型過載探測器(裝在主吊上鈎頭) 1000 - Standard Type Overload Detector

The 1000 standard type overload detector is designed to be installed on the dead ends of chains or wire ropes, or can be used between the hoist and its trolley.

The 1000 standard type is a low headroom, electromechanical overload detector, used for overload monitoring. It may be configured to trigger any desired electrical alarm supplied by the customer, including stopping the lift when an unsafe overload condition occurs, for overload detection and prevention.

The devices are supplied factory-calibrated and ready for installation. Available in a wide variety of capacities, the 1000 can be supplied in capacities ranging from 500 lbs (250 kgs) to 20,000 lbs (10,000 kgs). Each unit is initially adjusted to give the user an overload indication at 105% of rated capacity. An additional detection point is optional.

1000 overload detectors are factory-adjusted and supplied with a test certificate, including a proof load certificate.



Specifications 規格

Safety Factor: 5:1. Each system proof-loaded to 200% of capacity (certified).

Switching Nature: Normally open and/or normally closed.

Rating: 0.5A @ 50 VDC, 0.5A @ 125 VAC.

Life Expectancy: Electrical: over 1 million operations. Mechanical: over 5 million operations.

Approved by: UL, CSA, Semko VDE.

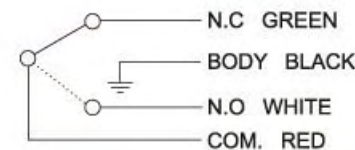
Environment: Weatherproof, NEMA4, IP 65

Temperature Range: -4°F to +175°F (-20°C to +80°C).

Cable Length: 9.5' (3m).

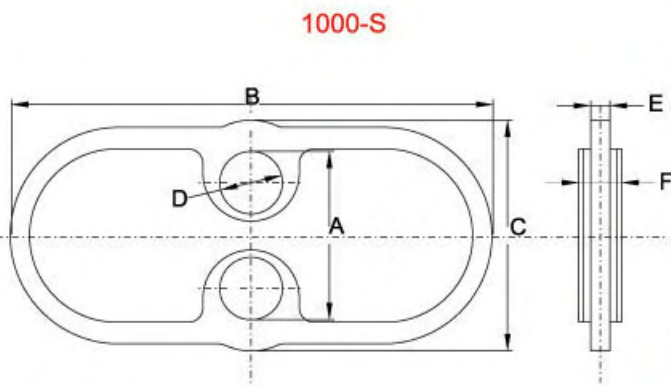
Material: High strength, low alloy steel.

Wiring:



Options 選用

- Additional detection point
- Fatigue rated structure



Cat. No.	Cap. tons	D Min.		A mm inch	E Max. mm inch	F Max. mm inch	C Max. mm inch	B Max. mm inch			
		mm	inch								
S-002	0.25	25	1	60	2 ³ / ₈	7 5/16	19 3/4	100	4	202	8
S-005	0.5					7 5/16	19 3/4				
S-007	0.75					7 5/16	19 3/4				
S-008	0.8					7 5/16	19 3/4				
S-01	1.0					7 5/16	19 3/4				
S-012	1.25					7 5/16	19 3/4				
S-015	1.5					9 3/8	21 13/16				
S-016	1.6					9 3/8	21 13/16				
S-02	2.0					11 7/16	23 7/8				
S-025	2.5					13 9/16	25 1				
S-03	3.0	40	1 ⁹ / ₁₆	111	4 ³ / ₈	7 5/16	22 7/8	155	6 ¹ / ₈	272	10 ³ / ₄
S-032	3.2					7 5/16	22 7/8				
S-04	4					7 5/16	22 7/8				
S-05	5					7 5/16	22 7/8				
S-06	6					9 3/8	24 15/16				
S-063	6.3					9 3/8	24 15/16				
S-08	8					11 7/16	26 1				
S-10	10					13 9/16	28 11/8				

WHEN USING THE OVERLOAD DETECTOR USE LIFTING ACCESSORIES WITH S.W.L. (SAFE WORKING LOAD) EQUAL TO, OR GREATER THAN THAT OF THE DETECTOR. Eilon Engineering reserves the right to make changes without notice.

