



Crane Scales

Measuring Excellence



2000 Shackle Type - Dynamometer with Remote Display

2000卸克型拉力計附有線遙控顯示器

The 2000 Shackle Type is the smallest and lightest digital dynamometer. The 2000 digital dynamometer is a basic, easy-to-operate and very reliable tension load meter. Digital dynamometers are used for weighing, force, tension, load measuring and load control.

The RON 2000 digital dynamometer has a small load cell which ensures portability and minimum headroom loss for any application.

The load cell's unique perpendicular hole structure neutralizes external moments and thus improves safety and accuracy.

The batteries will function for at least 2000 hours!

The 2000's indicator is separated from the load cell and is held by the user. This separation ensures the user's safety since under no circumstances will he have to approach the load in order to read the result. This separation also guarantees the durability of the dynamometer.

All crane scales and dynamometers are factory-tested and supplied with a test certificate, including a fully traceable calibration chart.



Shackles not included

Specifications 規格

Safety Factor: Designed to 5:1.

Proof Load: Each system proof-loaded to 200% of capacity (certified) up to a test force of 400t.

Accuracy: ± 0.1% of full range.

Display: 5 digit: ½" (12mm), liquid crystal display and annunciator; two-level overload state, max. value (peak hold), low battery, tare state (gross or net), measuring units, sleep mode, charge, and programming instructions. Standard number of measurements per second: 1.

Functions: Zero. Tare. Low battery warning. Max. (peak hold). Two-level overload visual alarms. User calibration. Sleep mode after 60 sec. at zero value, awakes automatically when loaded.

Units: Available in the following measurement readings: metric tons,

short tons (2000 lbs), kgs, lbs (lbs x 10 for capacities of 50t and above), newtons, deca newtons, k. newtons.

Load Cell Material: Made of high-strength, aerospace quality, alloy steel, polyurethane coated.

Indicator Material: High quality ABS.

Power: 3 x AA ("finger") 1.5 Volt, Alkaline disposable batteries. Batteries rated 3AH will function for at least 2000 hours (at least three months of continuous working). Occasional use will extend the life of the batteries up to several years. Adding certain options will shorten the life of the batteries. All settings retained at power off.

Calibration: User calibration. Initial factory calibration, fully traceable (certified).

Temperature Range: -15°F to +175°F (-25°C to +80°C).

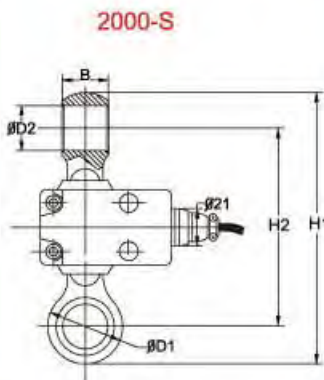
Environmental: Weatherproof, NEMA4, IP65.

Options 選用

- Additional spare cable in 15ft/5m increments
- Carrying case
- Dampened (average) display for unstable load
- Fatigue rated load cell
- Indicator belt clip
- IP 67 load cell with special off-shore connectors
- IP 68 load cell with underwater capability
- Longer extension cable in 15ft/5m increments
- Number of measurements per second: 2/3/4/5/6/7/8/20/30, factory set
- Rechargeable batteries, with an external charger for charging the batteries inside the system.



Optional carrying case



Cat. No.	Full Range		Resolution		Load Cell Weight		Cable Length		h1 (max.)	h2 (max.)	b (max.)	Ød1 (max.)	Ød2 (min.)	Matching anchor Shackle size* Inch				
	tons	kgs	lbs	kgs	lbs	m	ft	mm	inch	mm	inch	mm	inch					
S-005	0.5	0.2	0.5	0.3	0.7	5	16	125	4.9	92	3.7	16	0.7	31	1.3	17	0.66	1/2, 3/8, 3/8
S-01	1	0.5	1	0.3	0.7	5	16	125	4.9	92	3.7	16	0.7	31	1.3	17	0.66	1/2, 3/8, 3/8
S-02	2	1	2	0.3	0.7	5	16	125	4.9	92	3.7	16	0.7	31	1.3	17	0.66	1/2, 3/8, 3/8
S-03	3	1	2	0.3	0.7	5	16	140	5.5	100	4	19	0.75	38	1.5	21	0.82	5/8, 1/2
S-05	5	2	5	0.5	1	5	16	150	5.9	105	4.2	26	1	45	1.75	23	0.9	3/4, 5/8
S-10	10	5	10	1.4	3.1	5	16	200	7.9	135	5.3	41	1.6	63	2.5	36	1.4	1 1/4, 1 1/8, 1
S-12	12.5	5	10	1.4	3.1	5	16	200	7.9	135	5.3	41	1.6	63	2.5	36	1.4	1 1/4, 1 1/8, 1
S-15	15	5	10	2.5	5.5	5	16	225	8.8	145	5.7	53	2.1	75	3	40	1.55	1 1/2
S-20	20	10	20	2.5	5.5	5	16	225	8.8	145	5.7	53	2.1	75	3	40	1.55	1 1/2
S-25	25	10	20	3.5	7.7	5	16	240	9.4	150	5.9	58	2.3	87	3.4	44	1.7	1 1/2
S-30	30	10	20	3.5	7.7	5	16	240	9.4	150	5.9	58	2.3	87	3.4	44	1.7	1 1/2
S-40	40	20	40	7.7	17	10	32	320	12.6	195	7.7	71	2.8	115	4.5	60	2.3	2, 1 3/4
S-50	50	20	40	7.7	17	10	32	320	12.6	195	7.7	71	2.8	115	4.5	60	2.3	2, 1 3/4
S-80	80	50	100	18	40	10	32	405	16.9	255	10	97	3.8	145	5.7	76	3	2 1/2
S-125	125	50	100	27	60	15	49	460	18.2	290	11.5	121	4.8	165	6.5	81	3.18	CROSBY No. 2160 125t
S-200	200	100	200	55	121	15	49	575	22.6	350	13.8	145	5.7	210	8.3	106	4.2	CROSBY No. 2160 200t
S-250	250	100	200	103	227	15	49	850	33.5	510	20.1	178	7.0	254	10	133	5.2	CROSBY No. 2140 250t or No. 2160 300t
S-300	300	100	200	103	227	15	49	850	33.5	510	20.1	178	7.0	254	10	133	5.2	CROSBY No. 2160 300t

* USE SHACKLES WITH S.W.L. (SAFE WORKING LOAD) EQUAL TO, OR GREATER THAN SYSTEMS FULL RANGE.

* The company reserves the right to make changes without notice.





Crane Scales

Measuring Excellence



2125 - Shackle Type - Dynamometer with 1"/25mm Removable Display

2125卸克型拉力計附1"/25mm有線遙控顯示器

The 2125 dynamometer is a unique combination of a small and lightweight load cell with a large display. The small load cell ensures portability and low headroom loss for any application.

2125 dynamometers come with a hand-held remote display that, up to 12.5 tons capacity, is removable and can be attached to the load cell. Remote display for capacities above 12.5t.

By this means, the user's personal safety is ensured, as under no circumstances will he have to approach the load in order to read the result. He will either hold the remote indicator in his hand, or read the large display from a safe distance.

The separation of load cell and display also improves the system's durability.

The batteries will function for at least 2000 hours!

The load cell's unique perpendicular hole structure neutralizes external moments and thus improves safety and accuracy.

Specifications 規格

Safety Factor: Designed to 5:1.

Proof Load: Each system proof-loaded to 200% of capacity (certified) up to a test force of 400t.

Accuracy: ± 0.1% of full range.

Durability: Robust extruded aluminum indicator housing, iridized and polyurethane coated.

Display: 5 digit, 1" (25mm) liquid crystal display and annunciator; two-level overload state, max. value (peak hold), low battery, tare state (gross or net), measuring units, sleep state, charge, and programming instructions. Standard number of measurements per second: 1.

Functions: Zero. Tare. Low battery warning. Max. (peak hold). Two-level overload visual alarms. User calibration. Sleep mode after 60 sec. in zero value, awakes automatically when loaded.

Units: available in the following measurement readings: metric tons, short tons (2000 lbs), kgs, lbs (lbs x 10 for capacities of 50t and above), newtons, deca newtons, k. newtons.

Load Cell Material: Made of high-strength, aerospace quality, alloy steel, polyurethane coated.

Indicator Material: Extruded aluminum.

Power: 3 x AA ("finger") 1.5 Volt Alkaline disposable batteries. Batteries rated 3AH will function for at least 2000 hours (at least three months of continuous working). Occasional use will extend the life of the batteries up to several years. Adding certain options will shorten the life of the batteries. All settings retained at power off.

Calibration: User calibration. Initial factory calibration, fully traceable (certified).

Temperature Range: -15°F to +175°F (-25°C to +80°C).

Environmental: Weather proof, NEMA4, IP65.



Shackles not included

All crane scales and dynamometers are factory-tested and supplied with a test certificate, including a fully traceable calibration chart

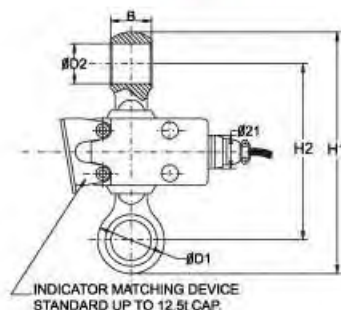
Options 選用

- 1 or 2 user-adjustable set points
- Additional 2"/50mm LCD display with cable connection to indicator
- Additional 4"/100mm LED display with cable connection to indicator
- Additional spare cable in 15ft/5m increments
- Analog output: 0 to 1V / 0 to 2V / 0 to 3V
- Analog output: 4 to 20 mA
- Baud rate, user-selectable
- Carrying case
- Dampened (average) display for unstable load
- Data logger – up to 600 measurements
- Data logger – up to 3000 measurements
- Data logger – up to 6000 measurements
- Fatigue rated load cell
- IP 67 load cell with special off-shore connectors
- IP 68 load cell with underwater capability
- Longer extension cable in 15ft/5m increments
- Number of measurements per second: 2/3/4/5/6/7/8/20/30, factory set
- Real-time clock
- Rechargeable batteries, with an external charger for charging the batteries inside the system
- Rope falls multiplier, user-selectable
- RS-232 - continuous or on demand data output, user-selectable
- RS-485 - continuous or on demand data output, user-selectable
- Totalizer
- Units, user-selectable



Optional carrying case

2125-S



INDICATOR MATCHING DEVICE STANDARD UP TO 12.5t CAP.

Cat. No.	Full Range	Resolution	Load Cell Weight		Cable Length		h1 (max.)	h2 (max.)	b (max.)	gd1 (max.)	gd2 (min.)	Matching anchor Shackle size*							
	tons	kgs	lbs	kgs	lbs	m	ft	mm	inch	mm	inch	Inch							
S-005	0.5	0.2	0.5	0.4	0.9	5	16	125	4.9	92	3.7	1/8	0.60						
S-01	1	0.5	1	0.4	0.9	5	16	125	4.9	92	3.7	1/8	0.60						
S-02	2	1	2	0.4	0.9	5	16	125	4.9	92	3.7	1/8	0.60						
S-03	3	1	2	0.4	0.9	5	16	140	5.5	100	4	1/8	0.82						
S-05	5	2	5	0.6	1.3	5	16	150	5.9	105	4.2	26	1	45	1.75	23	0.9	3/8	3/8
S-10	10	5	10	1.5	3.3	5	16	200	7.9	135	5.3	41	1.6	63	2.5	36	1.4	1 1/8	1 1/8
S-12	12.5	5	10	1.5	3.3	5	16	200	7.9	135	5.3	41	1.6	63	2.5	36	1.4	1 1/8	1 1/8
S-15	15	5	10	2.5	5.5	5	16	225	8.8	145	5.7	53	2.1	75	3	40	1.56	1 1/2	1 1/2
S-20	20	10	20	2.5	5.5	5	16	225	8.8	145	5.7	53	2.1	75	3	40	1.56	1 1/2	1 1/2
S-25	25	10	20	3.5	7.7	5	16	240	9.4	150	5.9	58	2.3	87	3.4	44	1.7	1 1/2	1 1/2
S-30	30	10	20	3.5	7.7	5	16	240	9.4	150	5.9	58	2.3	87	3.4	44	1.7	1 1/2	1 1/2
S-40	40	20	40	7.7	17	10	32	320	12.6	195	7.7	71	2.8	115	4.5	60	2.3	2	2 1/8
S-50	50	20	40	7.7	17	10	32	320	12.6	195	7.7	71	2.8	115	4.5	60	2.3	2	2 1/8
S-60	60	20	40	10	22	10	32	405	16.9	255	10	97	3.8	145	5.7	76	3	2 1/2	2 1/2
S-125	125	50	100	27	60	15	49	460	18.2	290	11.5	121	4.8	165	6.5	81	3.18	CROSBY No. 2160 125t	
S-200	200	100	200	55	121	15	49	575	22.6	350	13.8	145	5.7	210	8.3	106	4.2	CROSBY No. 2160 200t	
S-250	250	100	200	103	227	15	49	850	33.5	510	20.1	178	7.0	254	10	133	5.2	CROSBY No. 2140 250t or No. 2160 300t	
S-300	300	100	200	103	227	15	49	850	33.5	510	20.1	178	7.0	254	10	133	5.2	CROSBY No. 2160 300t	

* USE SHACKLES WITH S.W.L. (SAFE WORKING LOAD) EQUAL TO, OR GREATER THAN SYSTEM'S FULL RANGE.

* The company reserves the right to make changes without notice.





Crane Scales

Measuring Excellence



2150卸克型拉力計附2"/50mm有線遙控顯示器

2150 Shackle Type - Dynamometer with 2"/50 mm Removable Display

A unique combination of a small, light load cell with a large display enables:

- Portability and minimum headroom loss
- Readability from a considerable distance

The removable display enables the user either to hold the large indicator in his hand or snap it very easily onto the load cell for increased safety and convenience as the result can be read from a safe distance.

The separation of load cell and display also increases the system's durability.

The load cell's unique perpendicular hole structure neutralizes external moments and thus improves safety and accuracy.

The batteries will function for at least 2000 hours !

All crane scales and dynamometers are factory-tested and supplied with a test certificate, including a fully traceable calibration chart.



Shackles not included

Specifications 規格

Safety Factor: Designed to 5:1.

Proof Load: Each system proof-loaded to 200% of capacity (certified) up to a test force of 400t.

Accuracy: ±0.1% of full range.

Durability: Robust extruded aluminum indicator housing, iridized and polyurethane coated.

Display: 5 digit, 2" (50mm) liquid crystal display and annunciator; two-level overload state, max. value (peak hold), low battery, tare state (gross or net), measuring units, sleep state, charge, and programming instructions. Standard number of measurements per second: 1.

Functions: Zero. Tare. Low battery warning. Max. (peak hold). Two-level overload visual alarms. User calibration. Sleep mode after 60 sec. in zero value, awakes automatically when loaded.

Units: available in the following measurement readings: metric tons, short tons (2000 lbs), kgs, lbs (lbs x 10 for capacities of 50t and above), newtons, deca newtons, k. newtons.

Load Cell Material: Made of high-strength, aerospace quality, alloy steel, polyurethane coated.

Indicator Material: Extruded aluminum.

Power: 3 x AA ("finger") 1.5 Volt Alkaline disposable batteries. Batteries rated 3AH will function for at least 2000 hours (at least three months of continuous working). Occasional use will extend the life of the batteries up to several years. Adding certain options will shorten the life of the batteries. All settings retained at power off.

Calibration: User calibration. Initial factory calibration, fully traceable (certified).

Temperature Range: -15°F to +175°F (-25°C to +80°C).

Environmental: Weather proof, NEMA4, IP65.

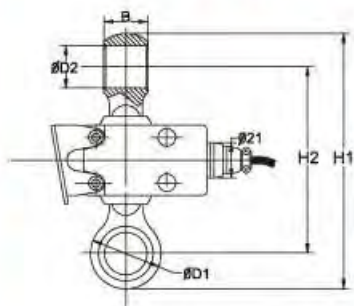
Options 選用

- 1 or 2 user-adjustable set points
- Additional 2"/50mm LCD display with cable connection to indicator
- Additional 4"/100mm LED display with cable connection to indicator
- Additional spare cable in 15ft/5m increments
- Analog output: 0 to 1V / 0 to 2V / 0 to 3V
- Analog output: 4 to 20 mA
- Baud rate, user-selectable
- Carrying case
- Dampened (average) display for unstable load
- Data logger – up to 600 measurements
- Data logger – up to 3000 measurements
- Data logger – up to 6000 measurements
- Fatigue rated load cell
- IP 67 load cell with special off-shore connectors
- IP 68 load cell with underwater capability
- Longer extension cable in 15ft/5m increments
- Number of measurements per second: 2/3/4/5/6/7/8/20/30, factory set
- Real-time clock
- Rechargeable batteries, with an external charger for charging the batteries inside the system
- Rope falls multiplier, user-selectable
- RS-232 - continuous or on demand data output, user-selectable
- RS-485 - continuous or on demand data output, user-selectable
- Totalizer
- Units, user-selectable
- Wireless (R.F.) data transmission



Optional carrying case

2150-S



Cat. No.	Full Range	Resolution	Load Cell Weight	Cable Length	h1 (max.)	h2 (max.)	b (max.)	Ød1 (max.)	Ød2 (min.)	Matching anchor Shackle size*							
	tons	kgs	lbs	kgs	lbs	m	ft	mm	inch	mm	inch	mm	inch	mm	inch	inch	
S-005	0.5	0.2	0.5	0.4	0.9	5	16	125	4.9	92	3.7	16	0.7	31	1.3	17	0.66
S-01	1	0.5	1	0.4	0.9	5	16	125	4.9	92	3.7	16	0.7	31	1.3	17	0.66
S-02	2	1	2	0.4	0.9	5	16	125	4.9	92	3.7	16	0.7	31	1.3	17	0.66
S-03	3	1	2	0.4	0.9	5	16	140	5.5	100	4	19	0.75	38	1.5	21	0.82
S-05	5	2	5	0.6	1.3	5	16	150	5.9	105	4.2	26	1	45	1.75	23	0.9
S-10	10	5	10	1.5	3.3	5	16	200	7.9	135	5.3	41	1.6	63	2.5	36	1.4
S-12	12.5	5	10	1.5	3.3	5	16	200	7.9	135	5.3	41	1.6	63	2.5	36	1.4
S-15	15	5	10	2.5	5.5	5	16	225	8.8	145	5.7	53	2.1	75	3	40	1.55
S-20	20	10	20	2.5	5.5	5	16	225	8.8	145	5.7	53	2.1	75	3	40	1.55
S-25	25	10	20	3.5	7.7	5	16	240	9.4	150	5.9	58	2.3	87	3.4	44	1.7
S-30	30	10	20	3.5	7.7	5	16	240	9.4	150	5.9	58	2.3	87	3.4	44	1.7
S-40	40	20	40	7.7	17	10	32	320	12.6	195	7.7	71	2.8	115	4.5	60	2.3
S-50	50	20	40	7.7	17	10	32	320	12.6	195	7.7	71	2.8	115	4.5	60	2.3
S-60	60	50	100	18	40	10	32	405	16.9	255	10	97	3.8	145	5.7	76	3
S-125	125	80	100	27	60	15	49	460	18.2	290	11.5	121	4.8	165	6.5	81	3.18
S-200	200	100	200	55	121	16	49	575	22.6	350	13.8	145	5.7	210	8.3	106	4.2
S-250	250	100	200	103	227	16	49	850	33.5	510	20.1	178	7.0	254	10	133	5.2
S-300	300	100	200	103	227	15	49	850	33.5	510	20.1	178	7.0	254	10	133	5.2

* USE SHACKLES WITH S.W.L. (SAFE WORKING LOAD) EQUAL TO, OR GREATER THAN SYSTEM'S FULL RANGE.
 * The company reserves the right to make changes without notice.





Crane Scales

Measuring Excellence



2501 Shackle Type - Dynamometer with wireless Remote Display

2501卸克型拉力計附無線遙控顯示器

The smallest, lightest and most versatile wireless dynamometer. The 2501 is especially suitable for hot industries, for use during casting and forging in foundries etc, as well as in a variety of additional applications. The batteries will function for at least 2000 hours! The 2501 has an internal mechanism to ensure that the received and indicated value is identical to the transmitted value. Under no circumstances will it indicate a different value than the transmitted one. This is an important safety feature.

The small size of the wireless load cell ensures portability and low headroom loss for any application.

The unique perpendicular hole structure of the wireless load cell neutralizes external moments thus improving safety and accuracy.

All crane scales and dynamometers are fully tested and supplied with a test certificate, including a fully traceable calibration chart.

Specifications 規格

Range: Up to 100 yards / meters (outdoor, line of sight).

Safety Factor: Designed to 5:1.

Proof Load: Each system proof-loaded to 200% of capacity (certified) up to a test force of 400t.

Accuracy: ±0.1% of full range.

Display: 5 digit, ½" (12mm) liquid crystal display and annunciator; two-level overload state, max. value (peak hold), low battery (load cell and indicator), tare state (gross or net), measuring units, charge, and programming instructions. Standard number of measurements per second: 1.

Functions: Zero. Tare. Low battery warnings: one for the load cell battery and the other for the hand-held indicator, displayed on the latter. Max. (peak hold). Two-level overload visual alarms. User calibration.

Units: available in the following measurement readings: metric tons, short tons (2000 lbs), kgs, lbs (lbs x 10 for capacities of 50t and above), newtons, deca newtons, k. newtons.

Load Cell Material: Made of high-strength, aerospace quality, alloy steel, polyurethane coated.

Indicator Material: High quality ABS.

Power: 3 x AA ("finger") 1.5 Volt Alkaline disposable batteries in the hand-held indicator and additional 4 in the load cell. Batteries rated 3AH will function for at least 1500 hours (more than two months of continuous working). Occasional use will extend the life of the batteries up to several years. Adding certain options will shorten the life of the batteries. All settings retained at power off.

Calibration: User calibration. Initial factory calibration, fully traceable (certified).

Temperature Range: Load cell: -15°F to +175°F (-25°C to +80°C). Indicator: -4°F to +158°F (-20°C to +70°C).

Environmental: Weather proof, NEMA 4, IP65.



Shackles not included

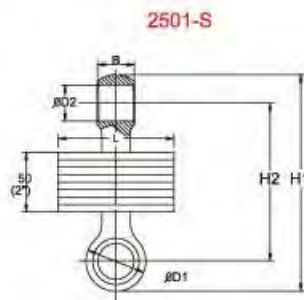
Options 選用

- 1 or 2 user-adjustable set points
 - Additional 2"/50mm LCD display with cable connection to indicator
 - Additional 4"/100mm LED display with cable connection to indicator
 - Additional wireless ABS indicator 0.5"/12mm digits
 - Additional wireless aluminum indicator 1"/25mm digits
 - Baud rate, user-selectable
 - Carrying case
 - Dampened (average) display for unstable load
 - Data logger – up to 600/3000/6000 measurements
 - Fatigue rated load cell
 - Indicator belt clip
 - IP 67 offshore sealing level
 - Number of measurements per second: 2,3, factory set
 - Real-time clock
 - Rechargeable batteries with an external charger for charging the batteries inside the system
 - Robust, extruded aluminum, hand-held indicator (1"/25mm digit height)
 - Rope falls multiplier, user-selectable
 - RS-232 - continuous or on demand data output, user-selectable
 - RS-485 - continuous or on demand data output, user-selectable
 - Summary of up to 8 different load cell measurements
 - Totalizer
 - Units, user-selectable
- For hot industries:
- Heat shield for the load cell
 - Internal load cell thermometer for load cell temperature display on the hand-held indicator



Optional heat shield

Optional carrying case



Cat. No.	Full Range	Resolution	Load Cell Weight	h1 (max.)	h2 (max.)	b (max.)	l (max.)	Ød1 (max.)	Ød2 (min.)	Matching anchor Shackle size*								
	tons	kgs	lbs	mm	mm	mm	mm	mm	mm	Inch								
S-005	0.5	0.2	0.5	1.1	2.5	125	4.9	92	3.7	1.6	0.7	110	4.4	31	1.3	17	0.66	1/4, 3/8, 1/2
S-01	1	0.5	1	1.1	2.5	125	4.9	92	3.7	1.6	0.7	110	4.4	31	1.3	17	0.66	1/4, 3/8, 1/2
S-02	2	1	2	1.1	2.5	125	4.9	92	3.7	1.6	0.7	110	4.4	31	1.3	17	0.66	1/4, 3/8, 1/2
S-03	3	1	2	1.1	2.5	140	6.5	100	4	1.9	0.75	110	4.4	38	1.5	21	0.82	3/8, 1/2
S-05	5	2	5	1.2	2.7	150	5.9	105	4.2	2.6	1	115	4.7	45	1.75	23	0.9	1/2, 3/4
S-10	10	5	10	2	4.5	200	7.9	135	5.3	4.1	1.6	120	4.8	63	2.5	36	1.4	1/2, 3/4, 1
S-12	12.5	5	10	2	4.5	200	7.9	135	5.3	4.1	1.6	120	4.8	63	2.5	36	1.4	1/2, 3/4, 1
S-15	15	5	10	3.3	7.3	225	8.8	145	5.7	6.3	2.1	129	5	78	3	40	1.58	1 1/4
S-20	20	10	20	3.3	7.3	225	8.8	145	5.7	6.3	2.1	129	5	78	3	40	1.58	1 1/4
S-25	25	10	20	4	9	240	9.4	150	5.9	6.8	2.3	130	5.2	87	3.4	44	1.7	1 1/2
S-30	30	10	20	4	9	240	9.4	150	5.9	6.8	2.3	130	5.2	87	3.4	44	1.7	1 1/2
S-40	40	20	50	8	18	320	12.4	195	7.7	7.1	2.8	140	5.5	115	4.5	60	2.3	2, 1 1/2
S-50	50	20	50	8	18	320	12.4	195	7.7	7.1	2.8	140	5.5	115	4.5	60	2.3	2, 1 1/2
S-80	80	50	100	17	38	405	16.9	255	10	9.7	3.8	155	6.2	145	5.7	78	3	2 1/2
S-125	125	50	100	27	60	460	18.2	290	11.5	12.1	4.8	165	6.5	165	6.5	81	3.18	
S-200	200	100	200	55	121	575	22.6	350	13.8	14.5	5.7	200	8	210	8.5	106	4.2	CROSBY No. 2160 125I
S-250	250	100	200	103	227	850	33.5	510	20.1	17.8	7.0	245	9.7	254	10	133	5.2	CROSBY No. 2160 200I
S-300	300	100	200	103	227	850	33.5	510	20.1	17.8	7.0	245	9.7	254	10	133	5.2	CROSBY No. 2140 250I or No. 2160 300I
																		CROSBY No. 2160 300I

* USE SHACKLES WITH S.W.L. (SAFE WORKING LOAD) EQUAL TO, OR GREATER THAN SYSTEM'S FULL RANGE.

* The company reserves the right to make changes without notice.



HWE WANG ENTERPRISES INC.

No.178 SHYE RD., CHIANJEN DIST, KAOHSIUNG(80672) TAIWAN / TEL:886-7-8317878 / FAX:886-7-8311789 • 886-7-8224967



Crane Scales

Measuring Excellence



4000卸克型荷重元附有放大器

4000 - Load Cell with Built-in Amplifier

The 4000 is a load cell with a built-in analog amplifier. This load cell is specially designed to transmit load or force information to a controller/computer, during controlled tensioning and tension measurement or controlled weighing.

For example, the 4000 is used for tension measurement and controlled tensioning of rubber belt conveyors or continuous weighing of steam piping in a power station to detect water condensation in pipes and drain them when the max. permitted level is reached.

The unique perpendicular hole structure of the load cells neutralizes external moments and thus improves safety and accuracy. The small, lightweight load cells ensure portability and low headroom loss for any application.

All load cells are factory-tested and supplied with a test certificate.



Specifications 規格

Safety Factor: Designed to 5:1.

Proof Load: Each system proof-loaded to 200% of capacity (certified) up to a test force of 400t.

Load Cell Material: High-strength, aerospace quality alloy steel, Polyurethane coated.

Linearity: 0.1% F.S.

Input: 6 to 12VDC

Output: 0 to 2V.
Option 4 to 20mA
Option 0 to 2V + 4 to 20mA

Cable: Supplied with 9' (3m) cable.

Temperature Range: -15°F to +175°F
(-25°C to +80°C).

Environmental: Weatherproof, NEMA 4, IP 65.

Calibration: Supplied with approximate Calibration (Final calibration is performed by the customer, after connecting the load cell to the measuring / control System).

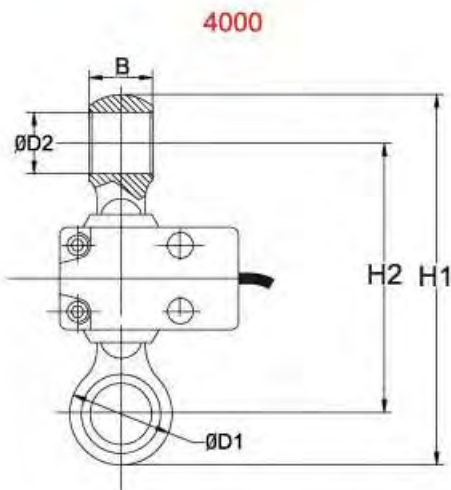
Zero load = $0 \pm 0.01V$, $4 \pm 0.2mA$.
Full load = $2 \pm 0.1V$, $20 \pm 1mA$.

Max. Input Current: 100mA

Wiring:
Input voltage (6 to 12VDC) Red
Common Black
Output V White
Output A Green
Body Without insulation

Options 選用

- 4 to 20 mA
- 0 to 2v + 4 to 20 mA
- IP 68 Load cell with underwater capability
- Fatigue rated load cell



Cat. No.	Full Range	Load Cell Weight		h1 (max.)		h2 (max.)		b (max.)		Ø d1 (max.)		Ø d2 (min.)		Matching anchor Shackle size* inch
		tons	kgs lbs	mm	inch	mm	inch	mm	inch	mm	inch	mm	inch	
S-005	0.5	0.4	0.9	125	4.9	92	3.7	16	0.7	31	1.3	17	0.66	1/2, 7/16, 3/8
S-01	1	0.4	0.9	125	4.9	92	3.7	16	0.7	31	1.3	17	0.66	1/2, 7/16, 3/8
S-02	2	0.4	0.9	125	4.9	92	3.7	16	0.7	31	1.3	17	0.66	1/2, 7/16, 3/8
S-03	3	0.4	0.9	140	5.5	100	4	19	0.75	38	1.5	21	0.82	3/8, 1/2
S-05	5	0.6	1.3	150	5.9	105	4.2	26	1	45	1.75	23	0.9	3/4, 5/8
S-10	10	1.5	3.3	200	7.9	135	5.3	41	1.6	63	2.5	36	1.4	1 1/4, 1 1/8, 1
S-12	12.5	1.5	3.3	200	7.9	135	5.3	41	1.6	63	2.5	36	1.4	1 1/4, 1 1/8, 1
S-15	15	2.5	5.5	225	8.8	145	5.7	53	2.1	75	3	40	1.55	1 3/8
S-20	20	2.5	5.5	225	8.8	145	5.7	53	2.1	75	3	40	1.55	1 3/8
S-25	25	3.5	7.7	240	9.4	150	5.9	58	2.3	87	3.4	44	1.7	1 1/2
S-30	30	3.5	7.7	240	9.4	150	5.9	58	2.3	87	3.4	44	1.7	1 1/2
S-40	40	7.7	17	320	12.6	195	7.7	71	2.8	115	4.5	60	2.3	2, 1 3/4
S-50	50	7.7	17	320	12.6	195	7.7	71	2.8	115	4.5	60	2.3	2, 1 3/4
S-80	80	18	40	405	16.9	255	10	97	3.8	145	5.7	76	3	2 1/2
S-125	125	27	60	460	18.2	290	11.5	121	4.8	165	6.5	81	3.18	CROSBY No. 2160 125t
S-200	200	55	121	575	22.6	350	13.8	145	5.7	210	8.3	106	4.2	CROSBY No. 2160 200t
S-250	250	103	227	850	33.5	510	20.1	178	7.0	254	10	133	5.2	CROSBY No. 2140 250t or No. 2160 300t
S-300	300	103	227	850	33.5	510	20.1	178	7.0	254	10	133	5.2	CROSBY No. 2160 300t

* USE SHACKLES WITH S.W.L. (SAFE WORKING LOAD) EQUAL TO, OR GREATER THAN SYSTEM'S FULL RANGE.

* Eilon Engineering reserves the right to make changes without notice.

