

# LSE處理設備

## LSE HANDLING

### Solutions for handling –

In the handling sector, we offer an entire system of diverse tongs and clamps for perfect load suspension. The large range of loads in the different industries requires special solutions.

Carl Stahl Nordgreif offers you a complete range of individual or series products for handling. The specially developed tongs and clamps are designed precisely to the requirements - whether drum handling, lifting clamps or inner tongs - all guarantee a smooth production process.

Your advantage: industry-specific know-how in advising, planning and manufacturing.



# 各種夾具CLMAPS



## DRUM HANDLING

Drum Tongs  
Horizontal / Vertical  
Drum Gear  
Drum Collars  
Drum Turning Tongs

## LIFTING CLAMPS

Safety Clamps  
Sheet Clamps  
Beam Clamps  
Screw Clamps  
Concrete Pipe Clamps

## TONGS

Round Profile  
Rectangular Profile  
Logs  
Rails

## Cardboard

Turning  
Stone Blocks  
Bales  
Boxes  
Inner Tongs



# LSE圓桶處理

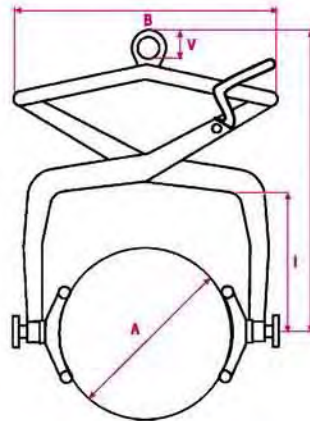
## LSE DRUM HANDLING

### DRUM TONGS HORIZONTAL / VERTICAL

#### 圓桶夾具水平/垂直

#### 264 drum tongs for vertical or horizontal drums

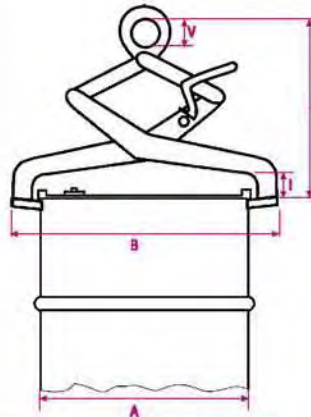
Drum tongs to transport horizontal or vertical drums in accordance with DIN 66 43 with movable grab jaws and rotating interlock and opening lever. Grab width equipped for constant drum diameter; also suitable to turn filled drums.



Load capacity (kg)	Dimensions approx. (mm)					Weight approx.(kg)	Type Part No.
	A	B	H	I	V		
250	560	1400	1500	600	60	60	7Z64.002.056
250	640	1400	1500	600	60	60	7Z64.002.064
500	560	1400	1500	600	70	70	7Z64.005.056
500	640	1400	1500	600	70	70	7Z64.005.064

#### 259 drum tongs

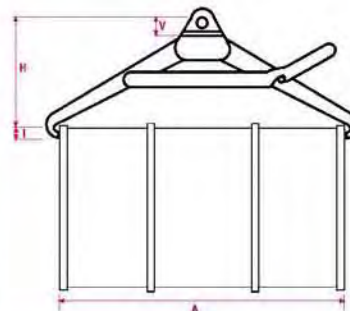
Drum tongs for vertical steel drums. This is a simple, robust tong for grabbing under the drum edge. Designed with opening lever.



Load capacity (kg)	Dimensions approx. (mm)					Weight approx.(kg)	Type Part No.
	A	B	H	I	V		
250	470 - 560	700	400 - 480	50	60	10	7Z59.002.056
250	560 - 640	800	430 - 530	50	60	12	7Z59.002.064
500	470 - 560	700	400 - 500	50	80	12	7Z59.005.056
500	560 - 640	800	430 - 530	50	80	15	7Z59.005.064

#### 263 drum tongs for horizontal drums

Tongs for roll channel drums in accordance with DIN 66 43 and 66 35, which have a low construction height and automatically locking opening lever.



Load capacity (kg)	Dimensions approx. (mm)				Weight approx.(kg)	Type Part No.
	A	H	I	V		
250	760 - 910	400 - 500	30	60	10	7Z63.002.091
500	760 - 910	400 - 500	30	70	12	7Z63.005.091

# LSE圓桶處理

## LSE DRUM HANDLING

### DRUM GEAR 圓桶吊具



Drum gear (FHZ) to straighten, transport and tip steel drums



Drum collars (Z66) for vertical lifting



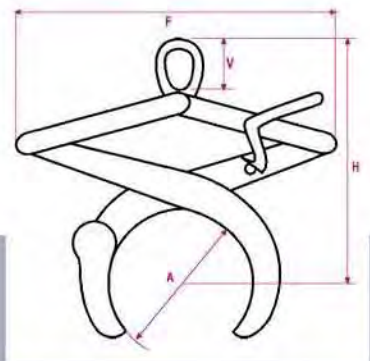
### ROUND PROFILE / RECTANGULAR PROFILE

### 圓形物/方形物吊具

#### Z50 round profile tongs

Round profile tongs for horizontal transport of round materials of every kind, equipped as standard with an automatic opening lever. All round profile tongs are available with a protective covering for sensitive transport goods. All tongs are available as a special design with step-by-step motion. We make all in-between sizes, even for higher loads and altered grab widths.

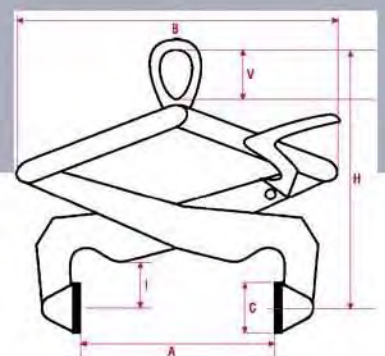
Load capacity (kg)	Dimensions approx. (mm)					Weight approx.(kg)	Type Part No.
	A	B	F	H	V		
250	40 - 150	200	400	300 - 500	65	6	7Z50.002.015
250	60 - 250	250	600	400 - 800	65	11	7Z50.002.025
500	40 - 200	300	500	350 - 700	75	15	7Z50.005.020
500	100 - 350	300	700	500 - 800	75	25	7Z50.005.035
500	200 - 500	400	900	600 - 900	75	35	7Z50.005.050
1000	60 - 250	300	700	450 - 700	80	28	7Z50.010.025
1000	100 - 350	300	800	500 - 800	80	35	7Z50.010.035
1000	200 - 500	400	950	600 - 900	80	50	7Z50.010.050
1000	300 - 800	440	1400	900 - 1400	80	130	7Z50.010.080
1000	800 - 1200	500	2400	1400 - 2400	80	200	7Z50.010.120
2500	60 - 250	330	700	500 - 800	95	50	7Z50.025.025
2500	100 - 350	330	850	550 - 900	95	60	7Z50.025.035
2500	200 - 500	400	1000	650 - 1000	95	72	7Z50.025.050
2500	300 - 800	440	1400	900 - 1400	95	240	7Z50.025.080
2500	800 - 1200	600	2450	1400 - 2500	95	360	7Z50.025.120



#### Z51 rectangular profile tongs

The grab jaws of the rectangular profile tongs are equipped with an extremely abrasion-proof protective cover. They are particularly suitable for transporting goods made from steel, concrete and wood. However, the goods must be free from fat and oil to ensure trouble-free grabbing. The force of pressure of the tongs is calculated so that the friction factor between the protective cover and the goods may not be less than 0.75  $\mu$ . Please make a special request in the case of oily goods. All rectangular profile tongs are equipped with an opening lever. We make all in-between sizes, also with higher load capacities and other grab ranges. The grab jaws can be equipped as a special design with hardened round anchor plates for oily or moist goods.

Load capacity (kg)	Dimensions approx. (mm)					Weight approx.(kg)	Type Part No.
	A	B	C	H	I		
250	20 - 60	370	75	300 - 360	75	65	7Z51.002.006
250	50 - 125	400	75	300 - 450	75	65	7Z51.002.012
250	115 - 260	560	75	380 - 650	75	65	7Z51.002.026
250	250 - 500	850	75	500 - 1000	75	65	7Z51.002.050
500	20 - 60	380	75	300 - 360	75	75	7Z51.005.006
500	50 - 125	400	75	300 - 450	75	75	7Z51.005.012
500	115 - 260	480	75	380 - 670	75	75	7Z51.005.026
500	250 - 500	850	75	500 - 1000	80	75	7Z51.005.050
1000	50 - 125	500	100	360 - 500	90	75	7Z51.010.012
1000	150 - 260	600	100	430 - 700	90	80	7Z51.010.026
1000	250 - 500	850	100	500 - 1000	110	80	7Z51.010.050
1000	480 - 750	1000	100	500 - 1100	110	80	7Z51.010.075
1000	730 - 1000	1000	100	600 - 1200	110	80	7Z51.010.100
2500	150 - 300	900	120	600 - 800	150	95	7Z51.025.030
2500	250 - 500	1100	120	700 - 1200	150	95	7Z51.025.050
2500	480 - 750	1100	120	700 - 1200	150	95	7Z51.025.075





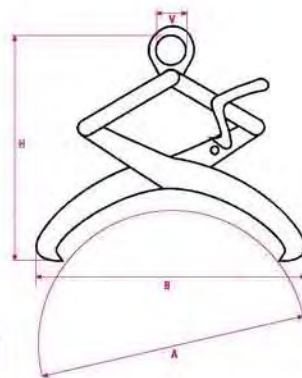
# LSE 夾具

## LSE TONGS

### LOGS / RAILS 木頭/鋼軌

#### Z62 log tongs

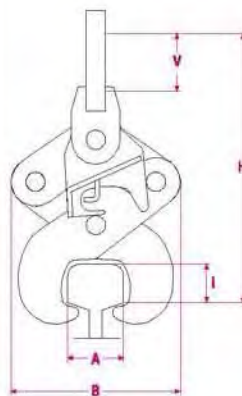
Tongs with large grab width and low outer dimensions for transporting logs. The grab points can be changed from a load capacity of 2,500 kg. Designed with opening lever.



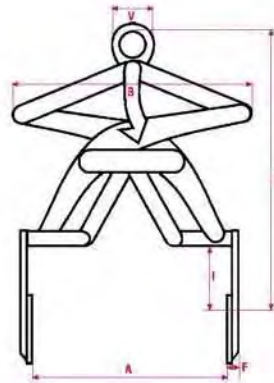
Load capacity (kg)	Dimensions approx. (mm)				Weight approx.(kg)	Type Part No.
	A	B	H	V		
500	200 - 500	650	500 - 700	85	12	7Z62.005.050
1000	300 - 800	1100	750 - 900	85	23	7Z62.010.080
2500	300 - 800	1150	750 - 900	95	60	7Z62.025.080
2500	400 - 1000	1400	900 - 1200	95	85	7Z62.025.100
5000	500 - 1000	1500	900 - 1200	95	130	7Z62.050.100

#### Z60 rail tongs

Rail tongs for transporting Vignoles rails type S and UIC and crane rails, very stable design with opening lever, combined with defensive latch, i.e. the rail tongs cannot open on the ground in the grab state despite stress relief or hitting the ground.



Load capacity (kg)	Dimensions approx. (mm)					Weight approx.(kg)	Type Part No.
	A	B	H	I	V		
1000	15 - 85	350	400	50	90	15	7Z60.010.008
2000	15 - 85	380	450	80	90	20	7Z60.020.008
4000	15 - 95	380	450	80	90	25	7Z60.040.009



#### Z61 cardboard tongs

Parallel tongs with extremely large and narrow grab jaws with rubber profile cover, which guarantees large pressure distribution. Particularly suitable for cardboard boxes that are very close together. These tongs have an opening lever.



Load capacity (kg)	Dimensions approx. (mm)					Weight approx.(kg)	Type Part No.
	A	B	F	H	I		
125	100 - 300	15	700	570 - 950	125	60	7Z61.001.030
125	200 - 400	15	700	570 - 950	125	60	7Z61.001.040
125	300 - 500	15	700	570 - 950	125	60	7Z61.001.050
125	400 - 600	15	700	570 - 950	125	60	7Z61.001.060
125	500 - 700	15	700	570 - 950	125	60	7Z61.001.070
125	600 - 800	15	700	570 - 950	125	60	7Z61.001.080
125	700 - 900	15	700	570 - 950	125	60	7Z61.001.090
125	800 - 1000	15	700	570 - 950	125	60	7Z61.001.100

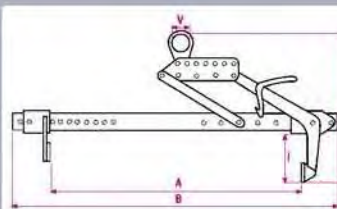


#### Z58 turning tongs

These turning tongs are suitable for straightening, turning or rotating transport goods. These are parallelogram tongs; the grab jaws open and close in parallel. The grab jaws can be rotated and with 90° locking they enable perfect adjustment to the goods. These turning tongs are equipped with an opening lever.



Load capacity (kg)	Dimensions approx. (mm)				Weight approx.(kg)	Type Part No.
	A	B	H	I		
125	150 - 250	600	500 - 900	250	60	7Z58.001.025
125	250 - 350	600	550 - 950	300	60	7Z58.001.035
250	150 - 300	700	600 - 1050	300	60	7Z58.002.030
250	300 - 450	700	650 - 1100	350	60	7Z58.002.045
500	300 - 450	720	700 - 1150	350	70	7Z58.005.045
500	450 - 600	720	800 - 1250	400	70	7Z58.005.060
1000	450 - 600	800	850 - 1300	430	85	7Z58.010.060
1000	650 - 800	800	950 - 1500	550	85	7Z58.010.080



#### Z65 profile tongs for stone blocks

Adjustable profile tongs with very large span range. The desired grab widths and centres of gravity are quickly adjusted using locking pins. Low construction height. Designed with opening lever. The grab jaws are equipped with a protective cover.



Load capacity (kg)	Dimensions approx. (mm)				Weight approx.(kg)	Type Part No.
	A	B	H	I		
250	200 - 650	900	600	150	60	7Z65.002.065
250	200 - 800	1050	600	150	60	7Z65.002.080
500	200 - 800	1050	600	175	70	7Z65.005.080
500	200 - 1000	1250	700	175	70	7Z65.005.100
1000	200 - 1000	1300	700	200	80	7Z65.010.100



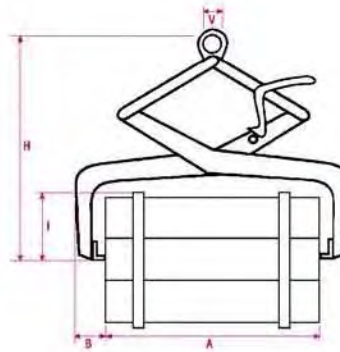
# LSE 夾具

## LSE TONGS

### BALE / BOX / CASE TONGS 壓捆/箱子/盒子夾具

#### Z52 tongs for bales and boxes

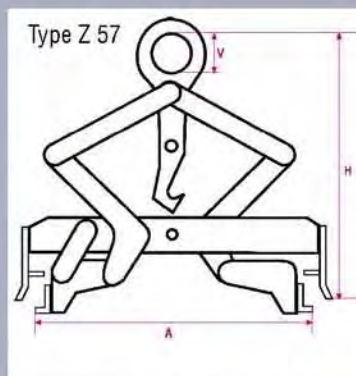
Tongs for transporting pressed paper or material bales, boxes and wooden planks. Simple robust pincer construction with opening lever.



Load capacity (kg)	Dimensions approx. (mm)					Weight approx.(kg)	Type Part No.
	A	B	H	I	V		
250	250 - 500	80	400 - 650	150	65	12	7Z52.002.050
500	250 - 500	80	400 - 650	150	70	15	7Z52.005.050
500	300 - 650	80	450 - 720	180	70	18	7Z52.005.065
1000	600 - 1000	110	700 - 950	200	80	38	7Z52.010.100
1000	800 - 1200	110	900 - 1050	220	80	45	7Z52.010.120

#### Z56 / Z57 stock box tongs

Stock box tongs to lift warehouse stacking boxes. Type Z 56 outward and type Z 57 inward grabbing. For type Z 56 grabbing occurs on the box seam, for type Z 57 it is underneath the reinforced seam. So that the tongs do not open when the stacking box is joggled or hits the ground, the grab arms are tensioned with a draw spring.



Load capacity (kg)	Greifweite in mm	Dimensions approx. (mm)			Weight approx.(kg)	Type Part No.
		A	H	V		
100	300	380	320	65	6	7Z56.001.030
100	450	530	320	65	6	7Z56.001.045
200	300	380	320	65	6	7Z56.002.030
200	450	530	320	65	6	7Z56.002.045
100	300	320	320	65	8	7Z57.001.030
100	450	470	320	65	8	7Z57.001.045
200	300	320	320	65	8	7Z57.002.030
200	450	470	320	65	8	7Z57.002.045



# LSE吊夾

## LSE LIFTING CLAMPS

### SAFETY CLAMPS 安全夾具

For load train for diagonal pull

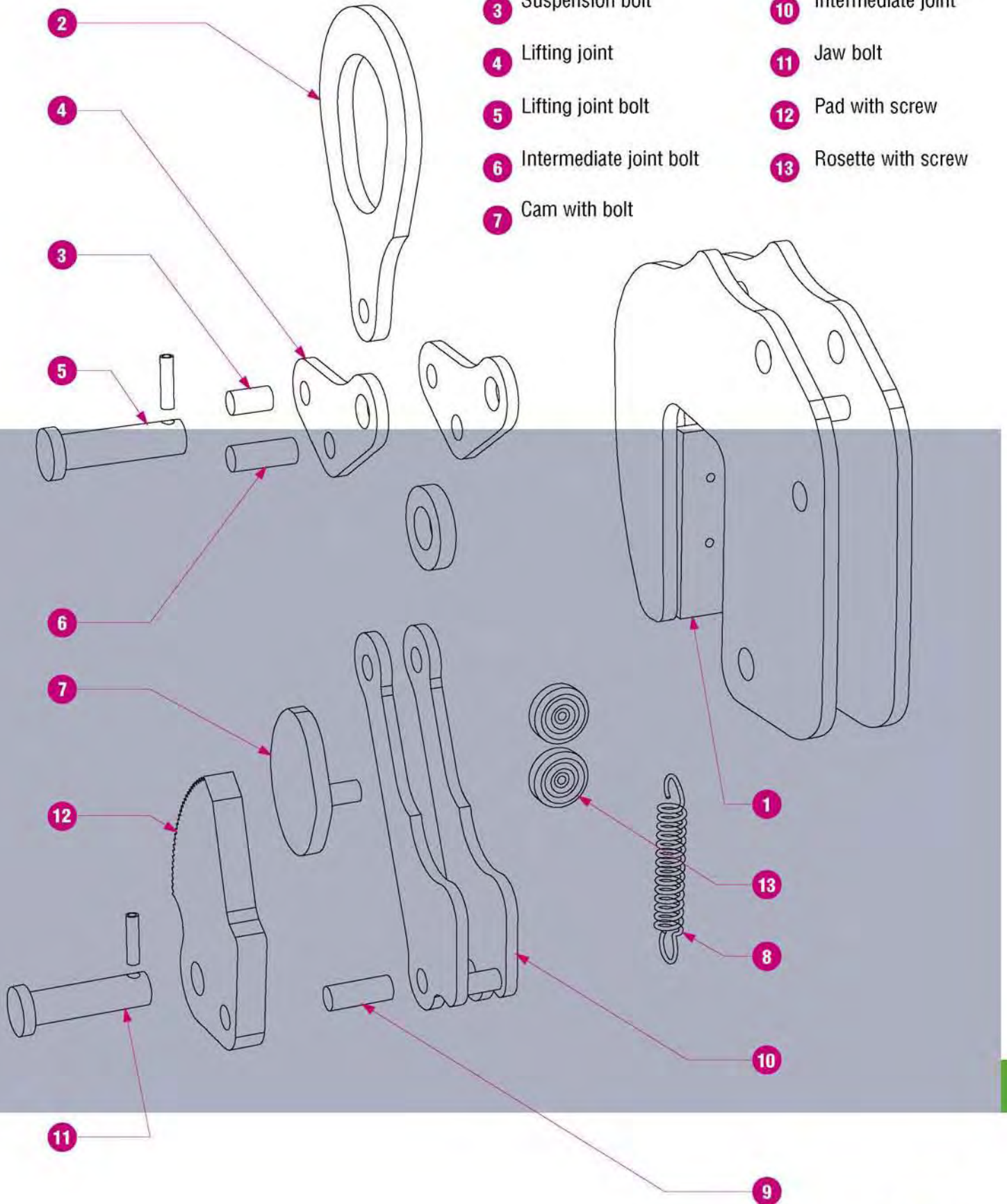
I		<p><b>K11</b></p>	<p><b>K24</b></p>	<p><b>K27</b></p>	
II			<p><b>K13</b></p>	<p><b>K19</b></p>	
III			<p><b>K26</b></p>		
IV			<p><b>K17</b></p>		
V		<p><b>K22</b></p>	<p><b>K23</b></p>		

Load: 100% 75% 50%

# LSE吊夾-安全夾具

Replacement parts list for housing types  
K10, K11, K12, K13,  
K16, K20, K22, K23, K24

- 1** Body
- 2** Lifting eye
- 3** Suspension bolt
- 4** Lifting joint
- 5** Lifting joint bolt
- 6** Intermediate joint bolt
- 7** Cam with bolt
- 8** Spring
- 9** Intermediate joint bolt
- 10** Intermediate joint
- 11** Jaw bolt
- 12** Pad with screw
- 13** Rosette with screw

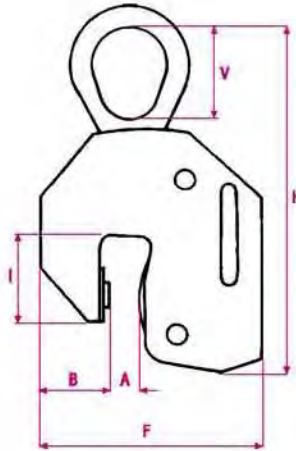




#### K10 safety clamps for vertical sheet transport and for turning and straightening

The clamps are very suitable for vertical sheet transport of individual sheets. To guarantee secure handling the clamps have a tension mechanism, which presses the serrated grab pawl against the sheet to be lifted before the actual lifting process using spring resistance and, in so doing, prevents the clamps from slipping. Therefore, it is not possible to open the lifting clamp for unintentional loads.

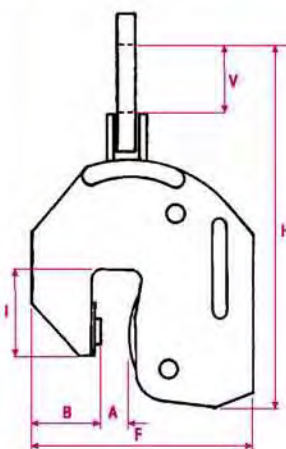
Because of the micro-serrated round anchor plates and the pawl, a microform closure arises, as the anchor plates and pawl press on the material of the load. Therefore, even small grab tracks must be taken into account on the load. The sheet surface or thickness must be less than HRC 40. The load bearing capacity of the clamps is reduced in the event of diagonal pull. We recommend using the pair method for longer sheets, a 2-leg attachment or in combination with a coupling crosshead.



Load capacity (kg)	Dimensions approx. (mm)						Weight approx.(kg)	Type Part No.
	A	B	F	H	I	V		
200	0 - 15	28	95	150	45	40	1,5	7K10.002.015
200	10 - 25	28	105	150	45	40	1,5	7K10.002.025
750	0 - 15	34	100	185	45	50	2,5	7K10.007.015
1000	0 - 20	58	160	240	65	75	4	7K10.010.020
1000	0 - 50	65	230	300	115	75	8	7K10.010.050
1000	0 - 75	65	250	360	110	75	12	7K10.010.075
1500	0 - 20	58	165	250	65	75	5	7K10.015.020
2500	0 - 30	65	200	290	85	85	7	7K10.025.030
2500	0 - 50	65	230	320	115	85	10	7K10.025.050
2500	0 - 75	70	265	340	115	85	16	7K10.025.075
2500	25 - 100	70	290	340	115	85	16	7K10.025.100
3000	0 - 30	70	210	335	90	85	12	7K10.030.030
5000	0 - 50	80	250	340	115	100	15	7K10.050.050
5000	25 - 75	80	275	380	125	100	16	7K10.050.075
5000	50 - 100	85	350	540	150	100	24	7K10.050.100
5000	50 - 150	85	400	540	150	100	25	7K10.050.150
10000	0 - 50	110	320	420	125	100	24	7K10.100.060
10000	50 - 100	110	360	450	135	110	30	7K10.100.100

#### K11 safety clamps with gimballed attachment

The basic design of this clamp is like the aforementioned clamp of the K10 type, but this clamp also has a gimballed hinge to apply lateral force better.



Load capacity (kg)	Dimensions approx. (mm)						Weight approx.(kg)	Type Part No.
	A	B	F	H	I	V		
200	0 - 15	28	95	150	45	40	2	7K11.002.015
750	0 - 15	34	100	185	45	50	3	7K11.007.015
1000	0 - 20	58	160	240	65	75	5	7K11.010.020
1500	0 - 20	58	165	250	65	75	5,5	7K11.015.020
2500	0 - 30	65	200	290	85	85	8	7K11.025.030
5000	0 - 50	80	250	340	115	100	17	7K11.050.050



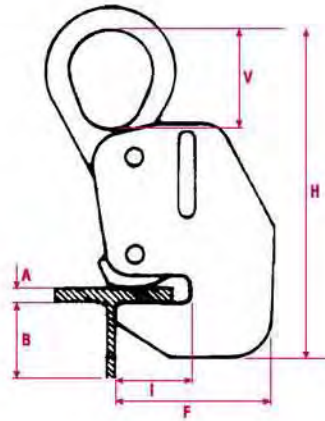
# LSE安全夾具

## LSE SAFETY CLAMPS

### BEAMS / GIMBALLED 吊樑/不平衡圈環夾具

#### K12 safety clamps for beam profiles

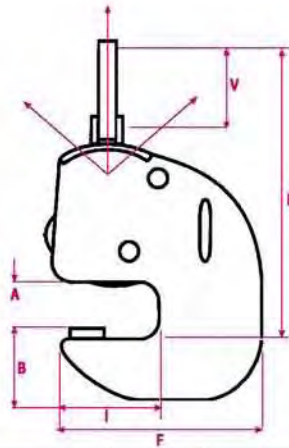
Type K12 with safety lock. Can be locked in open and closed position. Particularly suitable for horizontal transport. The suspension eyes are at the beam's centre of gravity. Universal applications, also in pairs on the face of steel beams. Can also be supplied with gimballed attachment. This design is particularly suitable for paired attachment of welded steel constructions.



Load capacity (kg)	Dimensions approx. (mm)						Weight approx.(kg)	Type Part No.
	A	B	F	H	I	V		
1000	5 - 20	60	195	280	85	75	10	7K12.010.020
2500	8 - 30	85	280	380	140	85	17	7K12.025.030
5000	10 - 50	105	360	460	150	100	33	7K12.050.050
10000	10 - 60	115	380	600	150	110	60	7K12.100.060

#### K21 safety clamps for beams and profiles with gimballed attachment

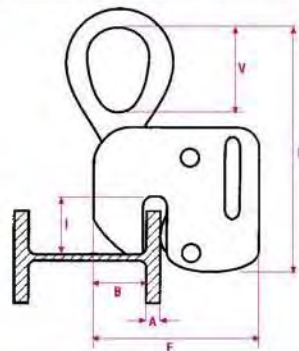
Bearer clamp with safety lock and spring tensioning. This lifting clamp is particularly suitable for lateral diagonal pull because of the gimballed attachment. The attachment can be moved in all directions, so tensile loading is possible from all sides. As a result, this type is particularly suitable for transporting long beams, profiles and steel constructions. For lateral shunt loading the load capacity is reduced as per the sketch. Paired use in the two-bar attachment is possible without spreader crosshead for longer structural steel elements.



Load capacity (kg)	Dimensions approx. (mm)						Weight approx.(kg)	Type Part No.
	A	B	F	H	I	V		
1000	5 - 20	65	195	300	85	70	10	7K21.010.020
2500	5 - 30	80	230	350	105	85	15	7K21.025.030
3500	10 - 35	85	260	390	110	85	31	7K21.035.035
4500	10 - 40	95	320	450	120	100	37	7K21.045.040
6000	15 - 50	105	380	480	130	100	40	7K21.060.050

#### K13 safety clamps for beam profiles

Type K13 with safety lock. Can be locked in open and closed position. Particularly suitable for transport of T, Double-T and U beams in vertical flange bearing. Because of their high force of pressure, these lifting clamps are excellent for turning beams.

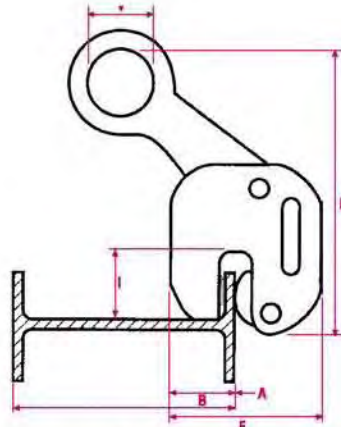


Load capacity (kg)	Dimensions approx. (mm)						Weight approx.(kg)	Type Part No.
	A	B	F	H	I	V		
1000	5 - 15	70	195	230	60	75	6	7K13.010.015
2500	10 - 27	90	235	310	70	85	10	7K13.025.030
4000	10 - 32	90	280	400	75	85	15	7K13.040.032



#### K20 safety clamps for beam transport and storage

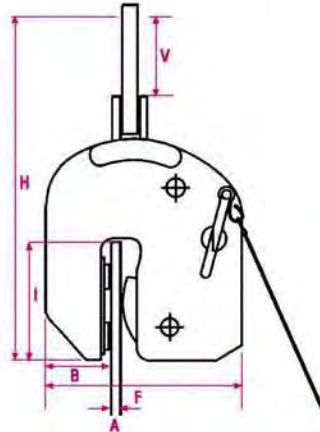
The beam safety clamps type K 20 are particularly suitable for horizontal beam transport and getting beams in and out of storage. It can be locked in open and closed position.



Load capacity (kg)	Dimensions approx. (mm)							Weight approx.(kg)	Type Part No.
	A	für Trägerbreiten	B	F	H	I	V		
500	5 - 15	80 - 160	50	130	200	42	60	5	7K20.005.015
1000	5 - 25	100 - 220	60	175	300	60	70	7	7K20.010.025
2500	5 - 28	200 - 380	70	220	400	75	85	15	7K20.025.028

#### K24 safety clamps for sheet piles with remote unlocking

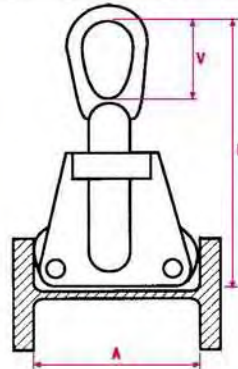
The safety clamps for sheet piles are suitable for turning sheet piles by 90°. It has remote unlocking, whereby the lifting clamps can be unlocked from the floor using a cable winch at big heights.



Load capacity (kg)	Dimensions approx. (mm)					Weight approx.(kg)	Type Part No.
	A	B	F	H	I		
2500	1 - 12	65	200	350	120	85	7K24.025.012
5000	1 - 20	85	250	500	155	100	7K24.050.020
7000	1 - 25	95	280	580	160	120	7K24.070.025
10000	1 - 25	110	330	650	160	120	7K24.100.025

#### K19 inner beam clamps

Lifting clamps type K 19 as inward grabbing lifting clamp for wide flange beams, which are to be stacked inside one another and close together.



Load capacity (kg)	Dimensions approx. (mm)			Weight approx.(kg)	Type Part No.
	A	H	V		
500	100 - 120	220	60	3	7K19.005.012
1000	120 - 160	280	70	6	7K19.010.016
1500	140 - 180	300	75	8	7K19.015.018
3000	180 - 220	350	85	12	7K19.030.022



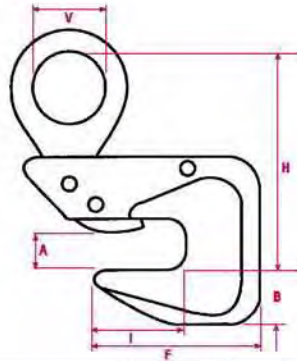
# LSE安全夾具

## LSE SAFETY CLAMPS

### SHEETS & PIPES 鋼板和鋼管

#### K22 safety clamps for sheets, profiles and pipes

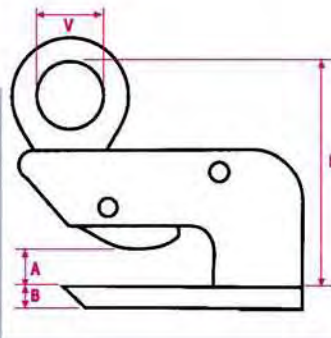
Universal lifting clamps for horizontal transport of sheets, plates and profiles. The housing is slit for frontal suspension of beams. With safety lock - can be locked in open and closed position. The slope angle may only be up to max. 60° for paired use. See table on page 84 to reduce the bearing load.



Load capacity (kg)/Stck.	Dimensions approx. (mm)						Weight approx.(kg)	Type Part No.
	A	B	F	H	I	V		
500	0 - 25	50	155	180	60	60	4	7K22.005.025
1000	0 - 25	50	190	200	60	60	6	7K22.010.025
1500	0 - 30	60	210	260	80	75	10	7K22.015.030
3000	0 - 40	70	230	300	90	85	15	7K22.030.040
4000	0 - 40	75	260	330	100	95	18	7K22.040.040

#### K23 safety clamps for plates, sheets and profiles

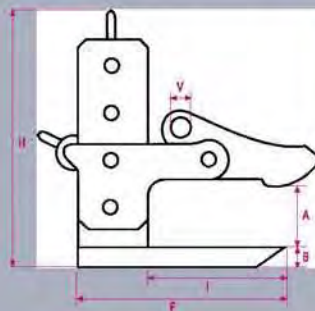
Lifting clamps for horizontal transport of sheets, plates and profiles. Designed with safety lock. The grab cams are pressed against the sheet using spring tensioning. This guarantees a secure grip even in the event of stress relief or hitting the ground. The slope angle may only be up to 60° for paired use.



Load capacity (kg)/Stck.	Dimensions approx. (mm)						Weight approx.(kg)	Type Part No.
	A	B	F	H	I	V		
500	0 - 20	10	160	180	75	60	5	7K23.005.020
1000	0 - 25	10	170	190	80	60	6	7K23.010.025
1500	0 - 35	20	190	230	95	75	9	7K23.015.035
2000	0 - 40	25	220	290	110	75	12	7K23.020.040
3000	5 - 45	30	240	330	120	80	15	7K23.030.045
4000	10 - 50	50	240	360	120	80	20	7K23.040.050

#### k18 safety clamps for sheet boards

Bearer clamps for horizontal transport of sheets and sheet boards. The grab range can quickly be adjusted from 0 - 420 mm using a locking pin. Each clamp range is 60 mm. These lifting clamps are equipped for use in pairs. The permitted lateral diagonal pull is max. 10°. The bearing force must be reduced in accordance with the slope angle (see table page 84).



Load capacity (kg)/Paar	Dimensions approx. (mm)						Weight kg / unit	Type Part No.
	A	B	F	H	I	V		
1000	0 - 150	12	170	250	110	25	10	7K18.010.150
1500	0 - 300	15	180	400	110	25	12	7K18.015.300
3000	0 - 180	20	200	300	120	30	12	7K18.030.180
3000	0 - 300	20	200	420	120	30	14	7K18.030.300
3000	0 - 420	20	200	550	120	30	15	7K18.030.420
6000	0 - 180	30	230	350	120	30	18	7K18.060.180
6000	0 - 300	30	230	470	120	30	21	7K18.060.300



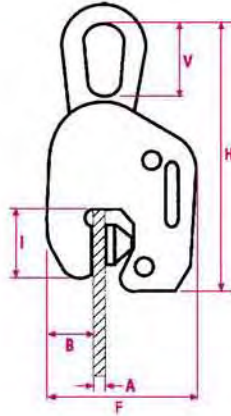
# LSE安全夾具

## LSE SAFETY CLAMPS

### SCREW CLAMPS 螺旋夾具

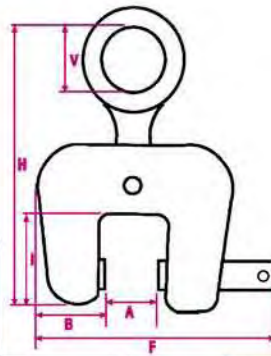
#### K16 safety clamps with smooth grab plates

Bearer clamps with safety lock and smooth, large pressure plate for sheets with sensitive surfaces for vertical transport and straightening or tilting by 90°. These bearer clamps have high force of pressure. They are purely activated by gravity, but are only suitable for dry, clean and lubricant-free surfaces. From a load capacity of 2.5 t, the grab range is preadjusted using a locking screw.



#### K26 Screw Clamps

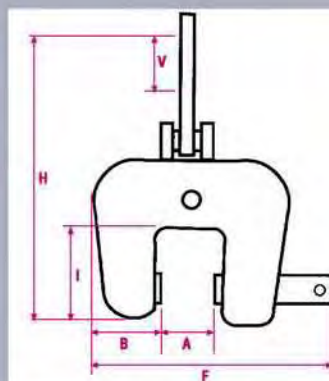
Universal screw clamps for lifting, turning by 180° and pulling sheets, beams and steel constructions. Equipped with movable, round pressure plates - result is good clamping through wedge effect.



Load capacity (kg)	Dimensions approx. (mm)						Weight approx.(kg)	Type Part No.
	A	B	F	H	I	V		
500	0 - 19	50	170	240	60	60	4	7K26.005.019
1000	0 - 30	55	200	260	60	60	5	7K26.010.030
1500	0 - 35	65	250	350	70	60	8	7K26.015.035
2000	0 - 100	70	400	380	80	70	9	7K26.020.100
3000	0 - 50	75	350	380	100	70	10	7K26.030.050
5000	0 - 80	90	400	450	110	75	20	7K26.050.080
6000	0 - 65	100	380	490	120	80	23	7K26.060.065

#### k27 Screw Clamps

Screw clamps with lateral movable suspension eyes. Designed like type K 26; particularly suitable for rolling sheets on rounding machines.



Load capacity (kg)	Dimensions approx. (mm)						Weight approx.(kg)	Type Part No.
	A	B	F	H	I	V		
1000	0 - 30	55	200	300	60	60	6	7K27.010.030
1500	0 - 35	65	250	400	70	60	10	7K27.015.035
3000	0 - 50	75	350	450	100	70	12	7K27.030.050
6000	0 - 65	100	380	550	120	80	25	7K27.060.065



# LSE安全夾具

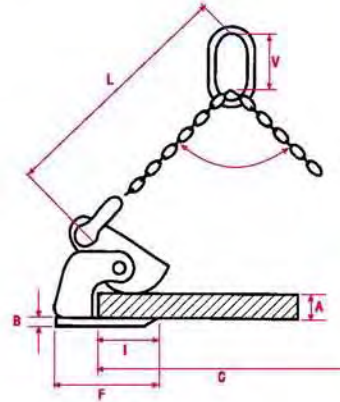
## LSE SAFETY CLAMPS

### HORIZONTAL SHEET TRANSPORT 水平鋼板運送

#### K15 safety clamps for horizontal sheet transport

These lifting clamps are equipped for use in pairs. Particularly suitable for transporting stable sheets, sheet boards and steel plates. The serration of the pawl ensures secure grab of the sheets even on a diagonal slope.

We recommend 2-pair bearer clamps combined with a cross-head for long sheets. The bearing load is reduced with a slope angle greater than 60°.



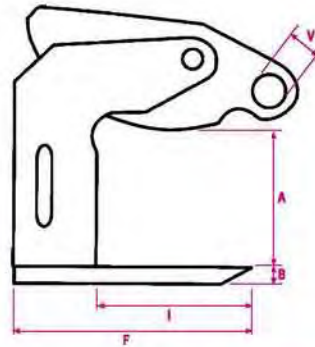
#### Caution:

With lifting clamps for horizontal transport, the load capacity is reduced in accordance with the working angle. This applies to all types.

Working angle	Load capacity
30° - 60°	100 %
60° - 90°	70 %
90° - 120°	50 %

#### K15 safety clamps for horizontal sheet transport

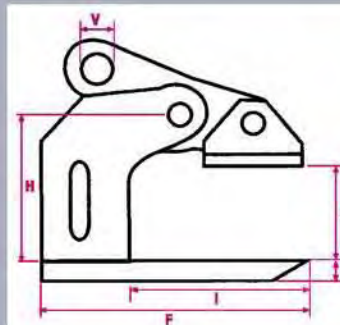
These lifting clamps are equipped for use in pairs. They have a large grab range and, therefore, are very well suited to transporting thick and fine sheet boards.



Pair capacity (kg)	Dimensions approx. (mm)					Wight kg / unit	Type Part No.
	A	B	F	I	V		
2500	5 - 100	15	230	140	25	13	7K15.025.100
2500	50 - 150	15	230	140	25	15	7K15.025.150
5000	5 - 100	20	250	140	31	20	7K15.050.100
5000	50 - 150	30	270	165	31	25	7K15.050.150
5000	100 - 250	30	270	165	31	30	7K15.050.250
7500	100 - 250	50	290	170	36	35	7K15.075.250

#### K17 safety clamps with protective cover

Bearer clamps for use in pairs of plates and sheets with sensitive surfaces. The pressure plate is equipped with a protective cover.



Pair capacity (kg)	Dimensions approx. (mm)						Wight kg / unit	Type Part No.
	A	B	F	H	I	V		
250	0 - 30	10	150	100	100	17	3	7K17.002.030
500	0 - 30	12	160	120	100	17	5	7K17.005.030
1000	0 - 40	15	200	160	130	17	7	7K17.010.040
2500	0 - 50	20	220	180	130	25	10	7K17.025.050



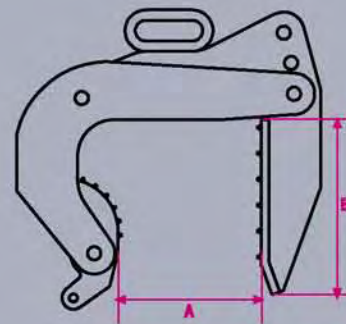
**K28 concrete pipe attachment**

The 3-leg concrete pipe attachment is suitable for vertical transport of concrete rings.

The grab range can be adjusted using locking pins.



Load capacity (kg)	Dimensions approx. (mm)		Grab range	Weight approx.(kg)	Type Part No.
	A max.	B			
1500	120	170	40 - 120	40	7K28.015.120
3000	180	260	50 - 180	60	7K28.030.180
3000	220	260	90 - 220	75	7K28.030.220



# FAX ENQUIRY FORM TONGS 夾具問卷表

<b>To:</b>  <b>HWE WANG ENTERPRISES INC.</b>  Tel : (07)831-7878 Fax : (07)831-1789 e-mail : hwewang@ms3.hinet.net	<b>Sender:</b> ..... ..... ..... <b>Contact person:</b> ..... Tel.: ..... Fax: ..... e-mail: .....
--	--

Required load suspension equipment:

Description of the load (indicate material):

**Information on Load**

Weight (kg)	min.	.....	max.	.....
Length (mm)	min.	.....	max.	.....
Width (mm)	min.	.....	max.	.....
Height (mm)	min.	.....	max.	.....
Outside diameter (mm)	min.	.....	max.	.....
Inside diameter (mm)	min.	.....	max.	.....

Load position	<input type="checkbox"/> horizontal <input type="checkbox"/> vertical	load movement	<input type="checkbox"/> lifting horizontal <input type="checkbox"/> ..... ° rotation
---------------	--	---------------	--

Load surface	<input type="checkbox"/> dry – pressure sensitive <input type="checkbox"/> wet – pressure sensitive	<input type="checkbox"/> dry – not pressure sensitive <input type="checkbox"/> wet – not pressure sensitive
--------------	--	--

Option of load pick-up	<input type="checkbox"/> by clamping	<input type="checkbox"/> by wrap-around
------------------------	--------------------------------------	---

**Information on Lifting Gear**

Type of existing crane	<input type="checkbox"/> overhead crane <input type="checkbox"/> portal crane	load capacity	..... t
		lifting height	..... m

Crane hook	<input type="checkbox"/> simple hook no. .... DIN 15041	<input type="checkbox"/> double hook no. .... DIN 15042
------------	--	--

**Information on Load Suspension Devices**

Operating mode	<input type="checkbox"/> with ratchet lever <input type="checkbox"/> with automatic step mechanism	
----------------	---	--

Dimensions for fig. 1 and fig. 2	width F max. ....	mm	internal height I max. ....	mm
	structural height H max. ....	mm	jaw C x C .....	mm
	Width F max. ....	mm		
Suspension eye	height V max. ....	mm	width B max. ....	mm