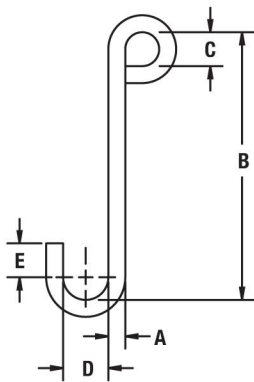




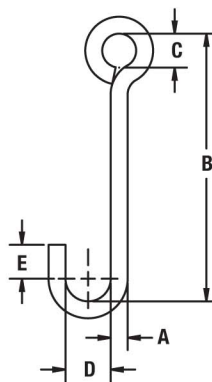
產品特性

PRODUCT FEATURES:

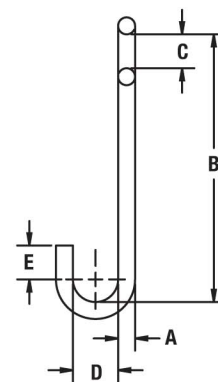
- Welded lifting eye.
- Heat Treated.
- Proof tested to 2:1 with certificate issued.
- Shot-blast finish with rust inhibitor.
- Serial number and capacity engraved on product.
- Custom designs available.



Style A



Style B



Style C

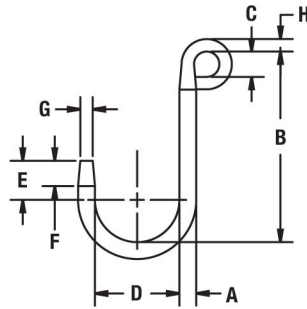
規格

SPECIFICATIONS

Style A Model Number	Style B Model Number	Style C Model Number	Working Load Limit (lbs.)	Dimensions (inches)					Weight (lbs.)
				A	B	C	D	E	
AJH-2-031	BJH-2-031	CJH-2-031	250	0.31	5	0.75	1.25	0.25	0.3
AJH-3-038	BJH-3-038	CJH-3-038	350	0.38	6	0.75	1.50	0.38	0.4
AJH-6-050	BJH-6-050	CJH-6-050	650	0.50	8	0.75	2.00	0.50	1.0
AJH-8-063	BJH-8-063	CJH-8-063	850	0.63	9	1.00	2.50	0.63	1.6
AJH-12-075	BJH-12-075	CJH-12-075	1200	0.75	10	1.00	3.00	0.75	2.6
AJH-15-088	BJH-15-088	CJH-15-088	1500	0.88	12	1.00	3.50	0.88	4.0
AJH-20-100	BJH-20-100	CJH-20-100	2000	1.00	14	1.25	4.00	1.00	6.2
AJH-22-113	BJH-22-113	CJH-22-113	2250	1.13	15	1.25	4.50	1.12	8.5
AJH-27-125	BJH-27-125	CJH-27-125	2750	1.25	16	1.50	5.00	1.25	12
AJH-30-138	BJH-30-138	CJH-30-138	3000	1.38	17	1.50	5.50	1.38	15
AJH-35-150	BJH-35-150	CJH-35-150	3500	1.50	18	2.00	6.00	1.50	20
AJH-40-175	BJH-40-175	CJH-40-175	4000	1.75	20	2.50	7.00	1.75	31
AJH-50-200	BJH-50-200	CJH-50-200	5000	2.00	24	3.00	8.00	2.00	53

Model FH - Foundry Hook

鍛造鉤



產品特性

PRODUCT FEATURES:

- Welded lifting eye.
- Heat Treated.
- Proof tested to 2:1 with certificate issued.
- Shot-blast finish with rust inhibitor.
- Serial number and capacity engraved on product.
- Custom designs available.

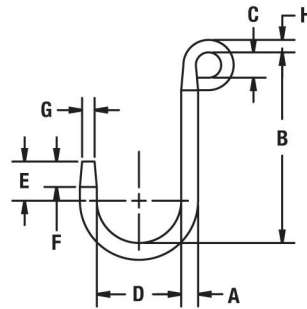
規格

SPECIFICATIONS

Model Number	Working Load Limit (lbs.)	Dimensions (inches)								Weight (lbs.)
		A	B	C	D	E	F	G	H	
FH-5-050	500	0.50	6.00	0.75	2.50	0.75	0.71	0.25	0.50	1
FH-8-063	800	0.63	8.50	0.75	3.50	1.50	0.89	0.31	0.50	2
FH-13-075	1,300	0.75	8.50	0.75	3.50	1.50	1.06	0.38	0.50	2.6
FH-16-088	1,600	0.88	8.50	0.88	3.50	1.50	1.06	0.50	0.75	3.5
FH-25-100	2,500	1.00	8.50	1.00	4.00	1.75	1.42	0.50	0.75	5
FH-35-113	3,500	1.13	8.50	1.00	4.00	2.00	1.60	0.56	0.75	6.5
FH-45-125	4,500	1.25	8.50	1.25	4.00	2.00	1.77	0.63	1.00	8.8
FH-60-150	6,000	1.50	8.50	1.25	5.00	2.50	2.13	0.75	1.00	14

Model FHS - Short Foundry Hook

短鍛造鉤



產品特性

PRODUCT FEATURES:

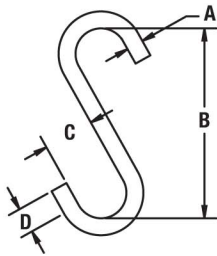
- Shorter reach.
- Welded lifting eye.
- Heat Treated.
- Proof tested to 2:1 with certificate issued.
- Shot-blast finish with rust inhibitor.
- Serial number and capacity engraved on product.
- Custom designs available.

規格

SPECIFICATIONS

Model Number	Working Load Limit (lbs.)	Dimensions (inches)								Weight (lbs.)
		A	B	C	D	E	F	G	H	
FHS-4-050	450	0.50	6	0.75	3	0.75	0.71	0.25	0.50	1
FHS-9-063	900	0.63	6	0.75	3	1.50	0.89	0.31	0.50	1.5
FHS-14-075	1,400	0.75	6	0.75	3	1.50	1.06	0.38	0.50	2.2
FHS-20-088	2,000	0.88	6	0.88	3	1.50	1.06	0.50	0.75	3.0
FHS-30-100	3,000	1.00	6	1.00	3	1.75	1.42	0.50	0.75	4.2
FHS-40-113	4,000	1.13	6	1.00	3	2.00	1.60	0.56	0.75	5.5
FHS-55-125	5,500	1.25	6	1.25	3	2.00	1.77	0.63	1.00	7

Model SH - S-Hook S 型鉤



產品特性

PRODUCT FEATURES:

- Heat Treated.
- Proof tested to 2:1 with certificate issued.
- Shot-blast finish with rust inhibitor.
- Serial number and capacity engraved on product.
- Custom designs available.

規格

SPECIFICATIONS

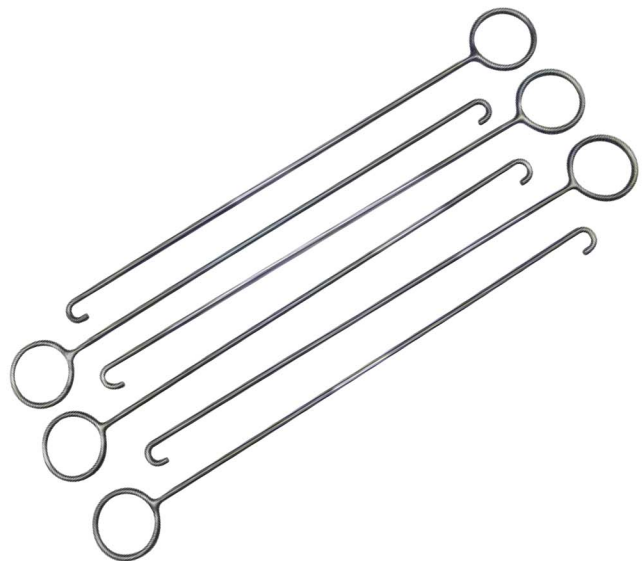
Model Number	Working Load Limit (lbs.)	Dimensions (inches)				Weight (lbs.)
		A	B	C	D	
SH-3-031	325	0.31	2.75	0.75	0.38	0.2
SH-4-038	425	0.38	4.13	1.13	0.56	0.3
SH-7-050	775	0.50	5.50	1.50	0.75	0.7
SH-12-063	1,225	0.63	7.00	1.88	0.94	1.3
SH-17-075	1,750	0.75	8.25	2.25	1.13	2.2
SH-24-088	2,400	0.88	9.50	2.63	1.31	3.6
SH-30-100	3,000	1.00	11.00	3.00	1.50	5.3
SH-49-125	4,900	1.25	13.75	3.75	1.88	11
SH-70-150	7,000	1.50	16.50	4.50	2.25	18
SH-96-175	9,600	1.75	19.25	5.25	2.63	29
SH-125-200	12,500	2.00	22.00	6.00	3.00	42
SH-157-225	15,750	2.25	24.00	6.75	3.38	59
SH-195-250	19,500	2.50	27.50	7.50	3.75	83
SH-235-275	23,500	2.75	30.50	8.25	4.13	110

Special Applications 特殊用途

In addition to the standard Bent Bar Products Caldwell offers, we also have the ability to design and manufacture custom hooks, rings, links or other products from bar stock up to 2-3/4" material.



3/4" diameter L-Hooks with 6-1/4" reach, special 6" foot on hook, handle on the back, and a 250 pound working load limit at a specific angle.



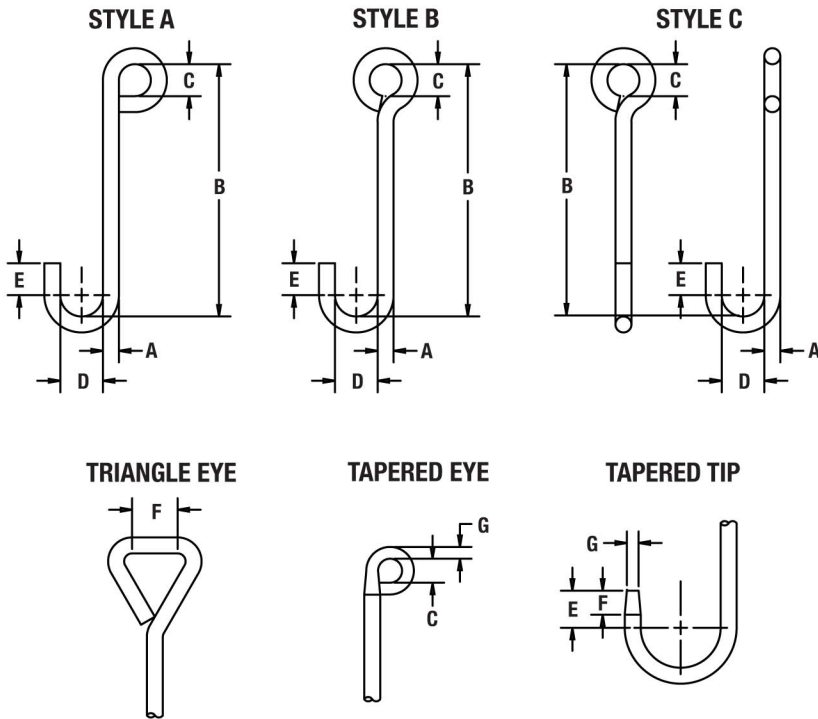
3/8" diameter J-Hooks with an oversized eye, 30" long, and a 200 pound working load limit.

客製鉤頭應用問卷表

Custom Hook Application Evaluation

J型鉤/鍛造鉤資料

J-HOOK / FOUNDRY HOOK INFORMATION:



需求類型

Style Required: _____

荷重 Working Load Limit: _____

A: _____

B: _____

C: _____

D: _____

E: _____

Triangle Eye Option

F: _____

Tapered Eye Option

C: _____

G: _____

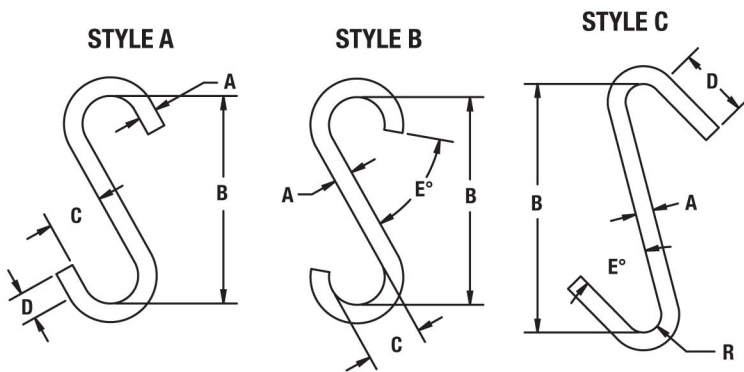
Tapered Tip Option

E: _____

F: _____

G: _____

S型鉤資料 S-HOOK INFORMATION:



需求類型

Style Required: _____

荷重 Working Load Limit: _____

A: _____

B: _____

C: _____

D: _____

E: _____

R: _____

Contact: _____

Company: _____

Address: _____

City, State, Zip: _____

Phone: _____

Fax: _____

Email: _____

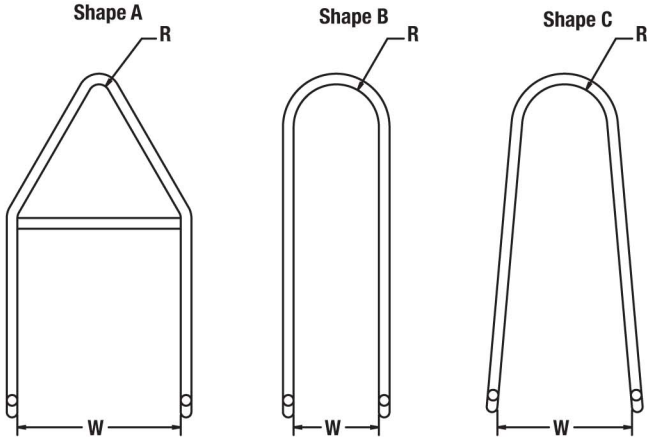
彎鈎應用問卷表

Stirrup Hook Application Evaluation

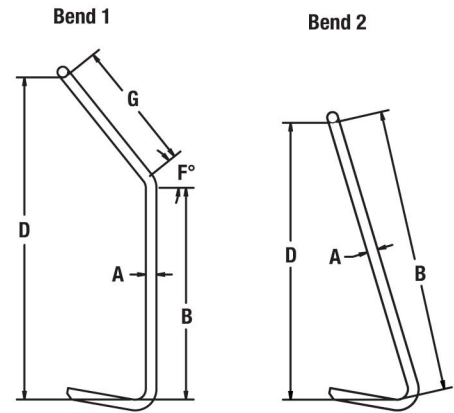
彎鈎資料

STIRRUP HOOK INFORMATION:

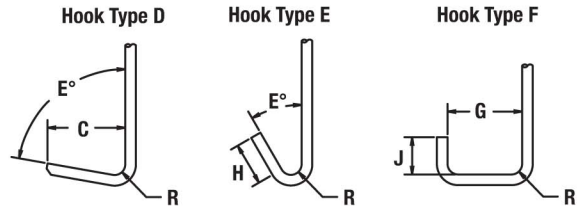
外型 Choose Shape Type



彎曲型態 Choose Bend Type



鈎頭類型 Choose Hook Type



荷重 Working Load Limit: _____

外型 Shape Type: A B C

R: _____

W: _____

彎曲類型 Bend Type: 1 2

A: _____

B: _____

D: _____

F: _____

G: _____

鈎頭類型 Hook Type: D E F

C: _____

E: _____

G: _____

H: _____

J: _____

R: _____

Contact: _____

Company: _____

Address: _____

City, State, Zip: _____

Phone: _____

Fax: _____

Email: _____