

Expert in Lifting Magnet 吊重磁鐵專業

Battery Electro-permanent lifting Magnet 充電式電永磁鐵

NEW

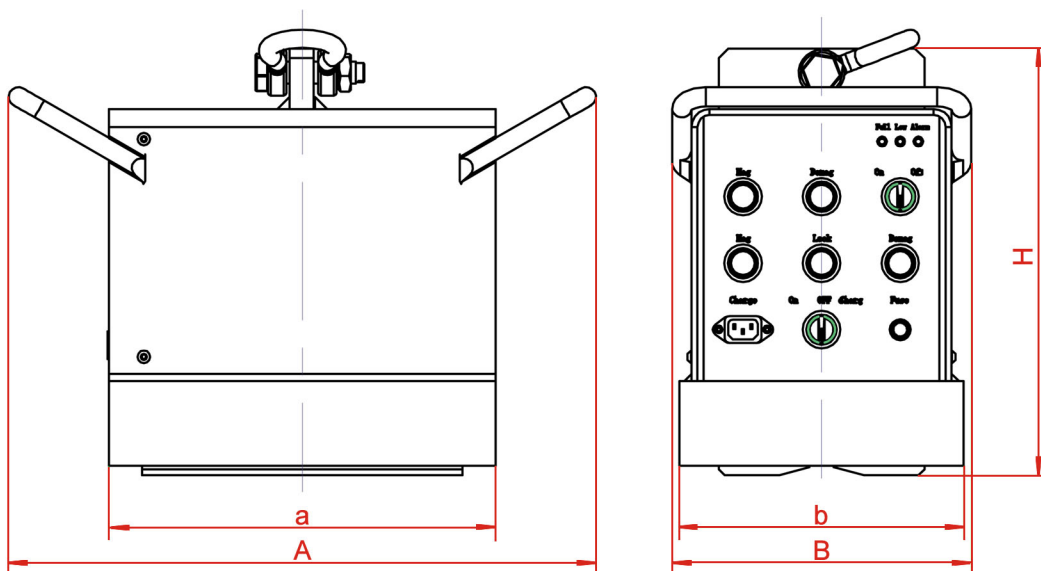
This battery electro-permanent lifting magnet is a newly developed high-tech magnetic lifting products, which use electro-permanent lifting magnet body, maintenance-free batteries and special controller. The magnets not only have the feature of easy to operate of electromagnets, but also have the security of permanent magnet lifting device.

本充電式電永磁是一種新開發的高科技的磁性起重產品，使用電永磁鐵本體，免維修蓄電池及特殊控制器整合到一體的結構，不只容易操作而且有永久磁鐵之吊重安全特性。

Main Features 主要特性:

1. The controller uses the most advanced electronic circuits, non-contact, can quickly set up eight parameters, such as the intensity of magnetization, magnetizing time, using remote control.
控制系統運用最先進的電子電路，無接觸點，可對諸如充磁強度、充磁時間等八種參數快速的設置及採用遙控器操作。
2. Batteries only work in the moment of magnetization and demagnetization. During the lifting and handling, the magnets will no longer the consumption of energy. So the magnet has obvious energy saving advantage.
電池只在充磁和退磁的瞬間工作，電永磁鐵在起吊和搬運中不再耗用能量，明顯的節能優勢。
3. They can be widely used without power or access to power inconvenient forum, toxic, radioactive and other environment ,through remote control.
可廣泛用在無電源或接入電源不方便的場合，以及有毒、有放射性等環境中通過無線遙控器遠程操作吊運導磁性物件。
4. The batteries could be worked for up to 7 to 9 days and their charge state can be real-time monitored.
充電狀態隨時監控、充一次電可連續使用長達7-9天。



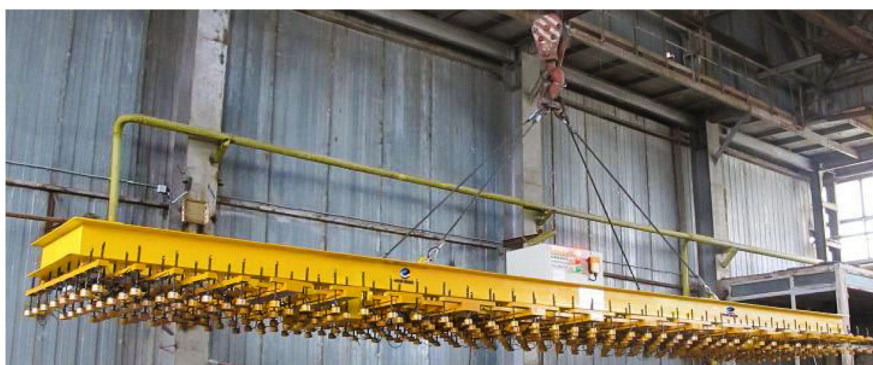


Model 型號	Rated lifting force (kg) 額定荷重	Working voltage (V) 工作電壓	Overall Dimension 外型尺寸(mm)					Weight 重量 (kg)
			A	a	B	b	H	
HBEP-500	500	DC24	494	340	284	240	445	95
HBEP-1000	1000	DC36	536	386	298	254	445	137
HBEP-1500	1500	DC48	671	500	336	292	445	165
HBEP-2000	2000	DC48	719	548	336	292	445	195
HBEP-3000	3000	DC48	767	596	420	376	478	260

Note 備註：

1. Safety factor : 3.0
安全系數：3.0。
2. This magnets can be used of two or more pieces.
本電永磁可同時使用2個或多個。
3. The listed standard products are mainly used in steel plates. We can design other non-standard products for other types lifted materials (round, tube or others) according to customers' requirements.
表列產品是使用吊舉鋼板，我們也可依客戶需求提供吊舉其他材料如圓棒、鋼管等。

Other Products-EP 相關產品-電永磁：



揮王企業股份有限公司
HWE WANG ENTERPRISES INC.

TEL:07-8317878 FAX:07-8311789,07-8224967

E-mail:hewang@ms3.hinet.net http://www.hwe-wang.com.tw