



絕緣安全電軌

Insulated Conductor Rails/Bars



3-Pole Continuous Type (50/75/100/150A)	4-Pole Continuous Type (50/75/100/150A)	6-Pole Continuous Type (50/75A)

I-Single Pole Continuous Type (200A)	W-Single Pole Type (320 / 520A)

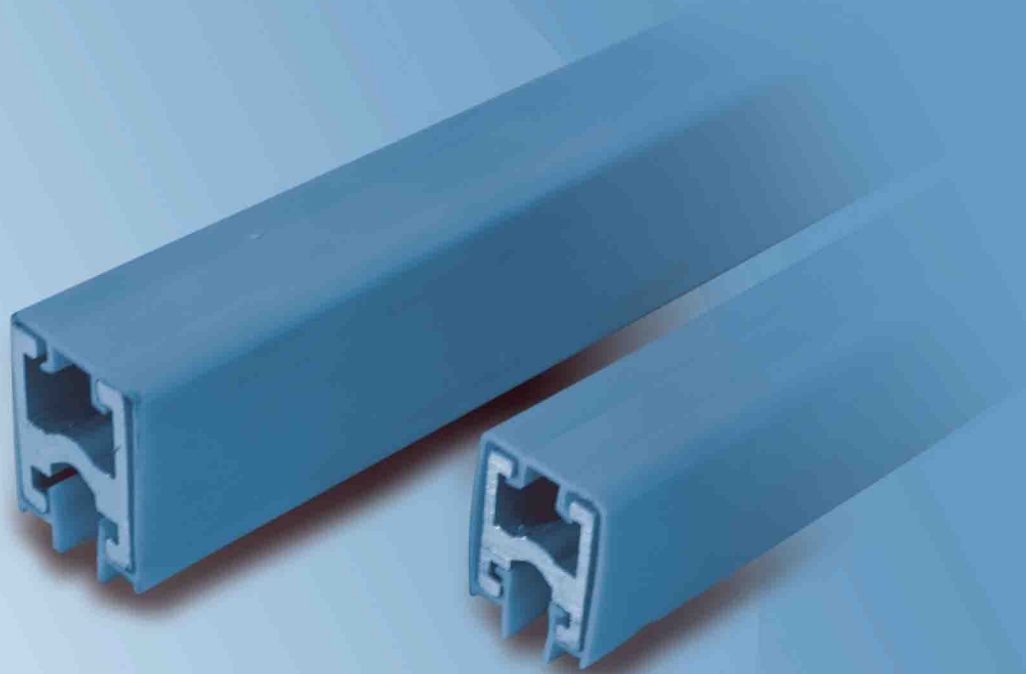
Ideal for all kinds of applications of :

- Cranes
- Monorails
- Automated Storage
- Retrieval Systems
- Mining Equipment
- Amusement Park Rides / Trams



W-Type Insulated Conductor Rails

W型絕緣安全電軌



■ 320Amp 、 520Amp

Illustration for W-Type
Standard Export Packing

Standard Export Packing

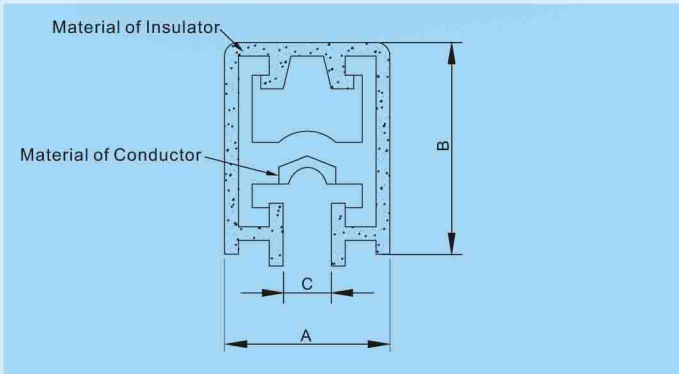
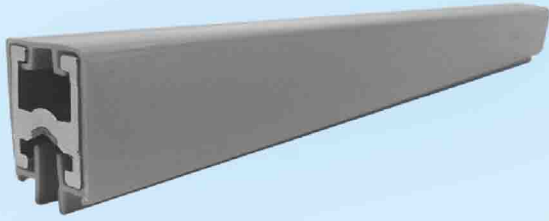
Type	Piece (Meter)/Crate
W -Type	300 Piece (1200Meter)/Crate

Remark : 1 piece of W-Type Insulated Conductor
Rails is 4 meters long.



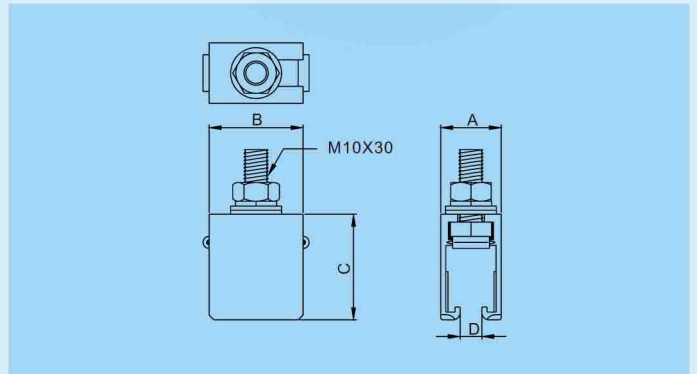
W型絕緣電軌 W-Type Insulated Conductor Rails

Material of Conductor : Aluminum/Copper
 Material of Insulator : PVC (Up to 60°C)



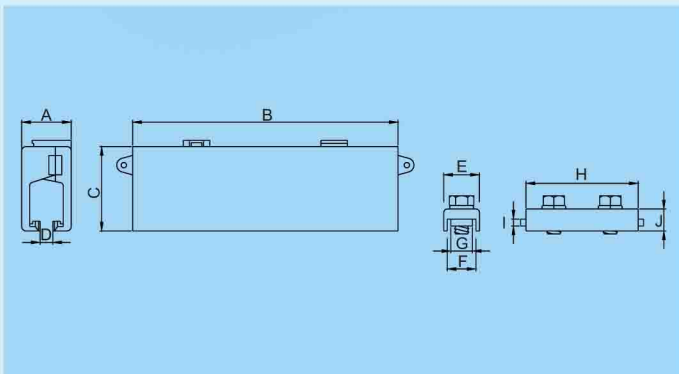
Part No.	Rating	Weight (kg)	Rail Length (mm)	A	B	C
HW-3201	600V · 320Amp	2.08	4000	19	24	6
HW-5201	600V · 520Amp	3.35	4000	23	30	8

W型吊夾 W-Type Hanger Clamp



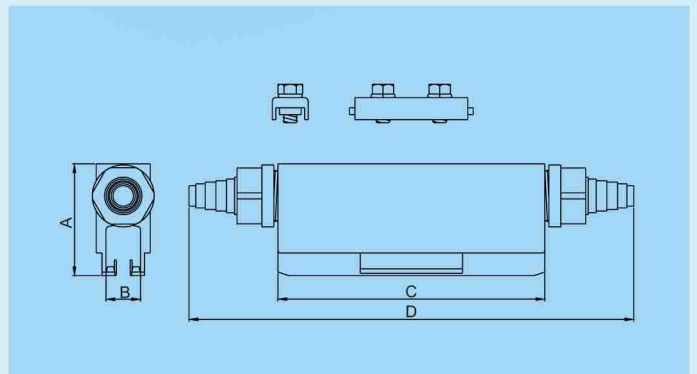
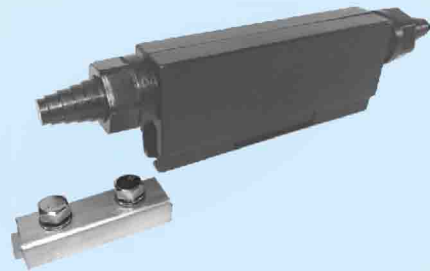
Part No.	Weight (kg)	A	B	C	D
HW-3202	0.06	25	39	44	9.5
HW-5202	0.07	33	43	49	14

W型電軌連接器 W-Type Rails Connector



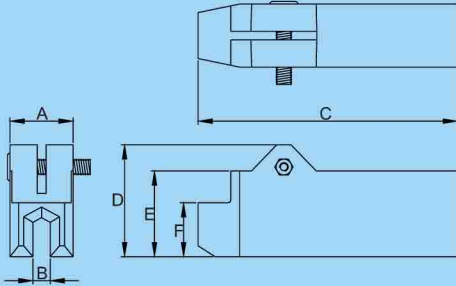
Part No.	Weight (kg)	A	B	C	D	E	F	G	H	I	J
HW-3203	0.13	28	150	48	8	20	16	12	64	4	13
HW-5203	0.16	33	175	52	11	26	21	17	92	5	16

W型入電盒 W-Type Power Feed



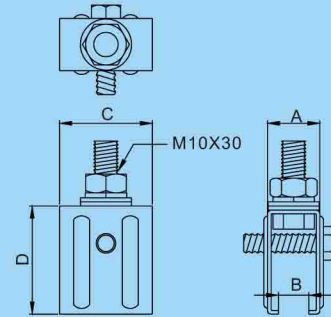
Part No.	Weight (kg)	A	B	C	D
HW-3204	0.17	63	19	150	225
HW-5204	0.20	70	24	175	250

W型尾端蓋 W-Type End Cap



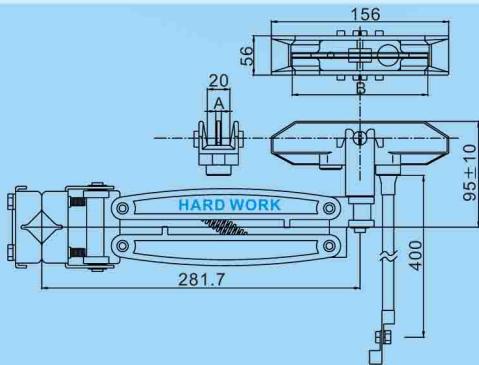
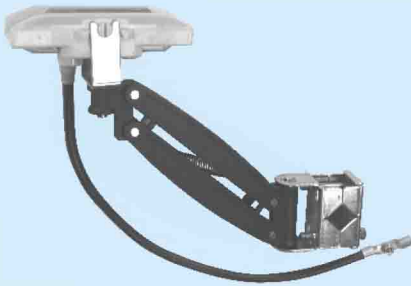
Part No.	Weight (kg)	A	B	C	D	E	F
HW-3205	0.03	22	6	91	40	30	19
HW-5205	0.06	27	8	100	46	36	26

W型錨吊夾 W-Type Anchor Clamp



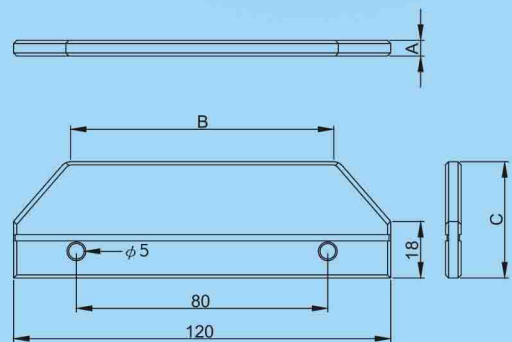
Part No.	Weight (kg)	A	B	C	D
HW-3206	0.11	22	13	38	43
HW-5206	0.22	26	17	43	49

W型碳刷 W-Type Connector Shoe



Part No.	Rating	Weight (kg)	A	B
HW-3207	600V · 100Amp	1.05	5	120
HW-5207	600V · 200Amp	1.20	7	131

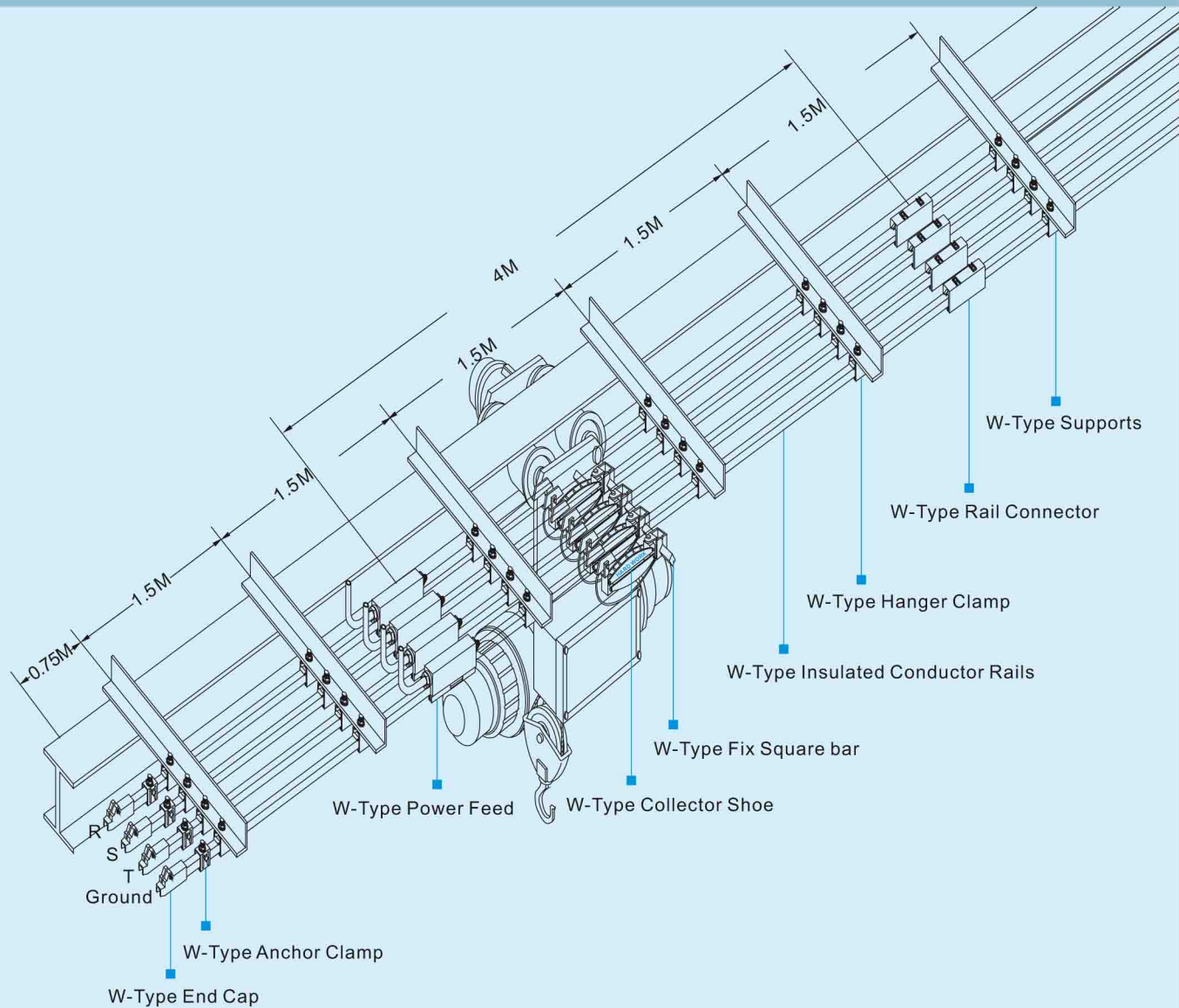
W型集電架 W-Type Collector



Part No.	Rating	Weight (kg)	A	B	C
HW-3208	600V · 100Amp	0.13	5	85	37
HW-5208	600V · 200Amp	0.25	7	98	42

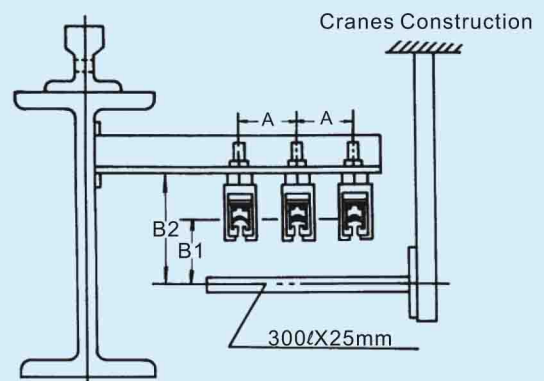
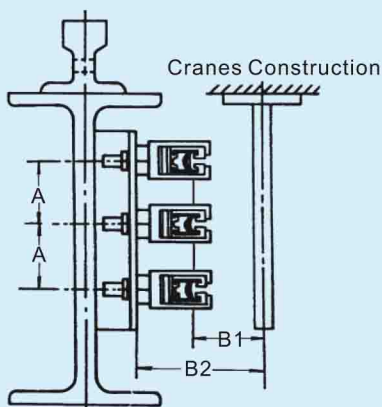
W型電軌組裝示意圖

W-Type Insulated Conductor Rails Outline Design



側邊按裝 Side Installation

垂直接裝 Vertical Installation



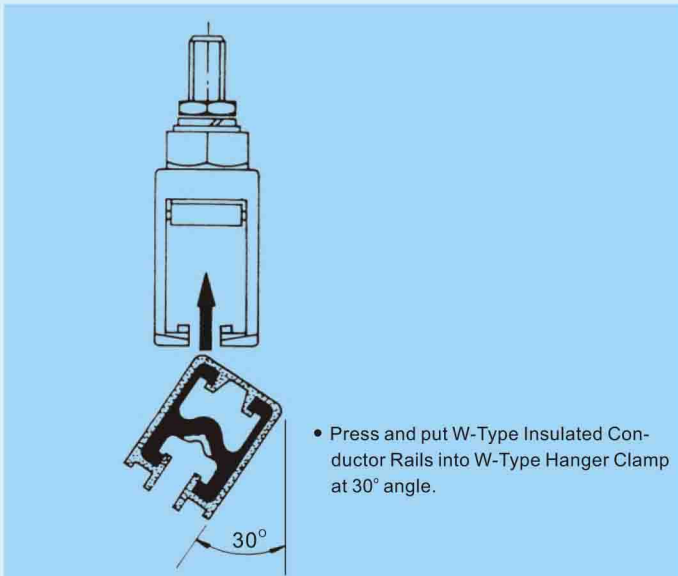
A	Minimum	75mm
	standard	100mm

B	B1	95mm
	B2	160mm

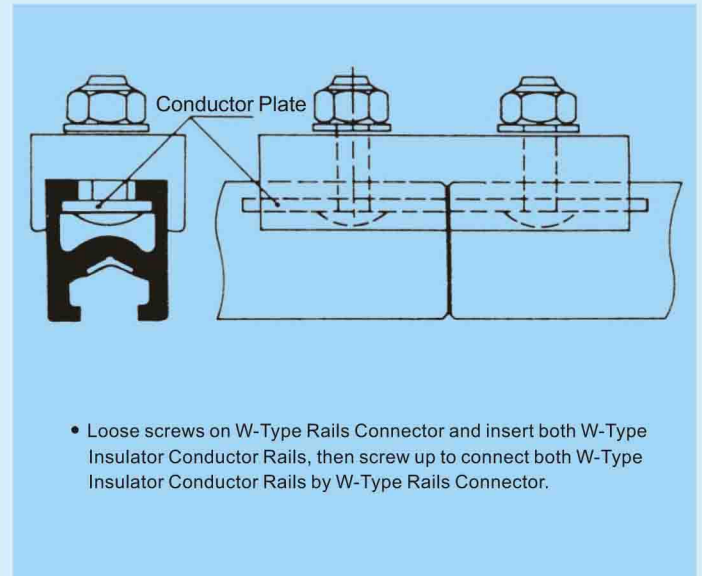


■ 支撐設計 Supports Design

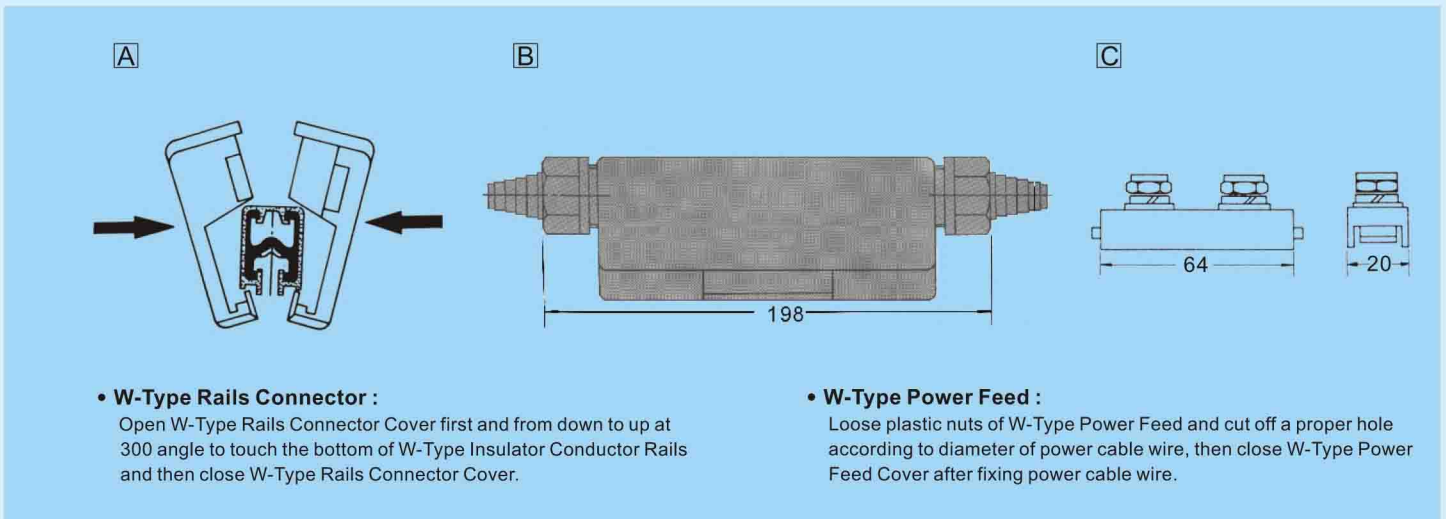
① How to install W-Type Hanger Clamp.



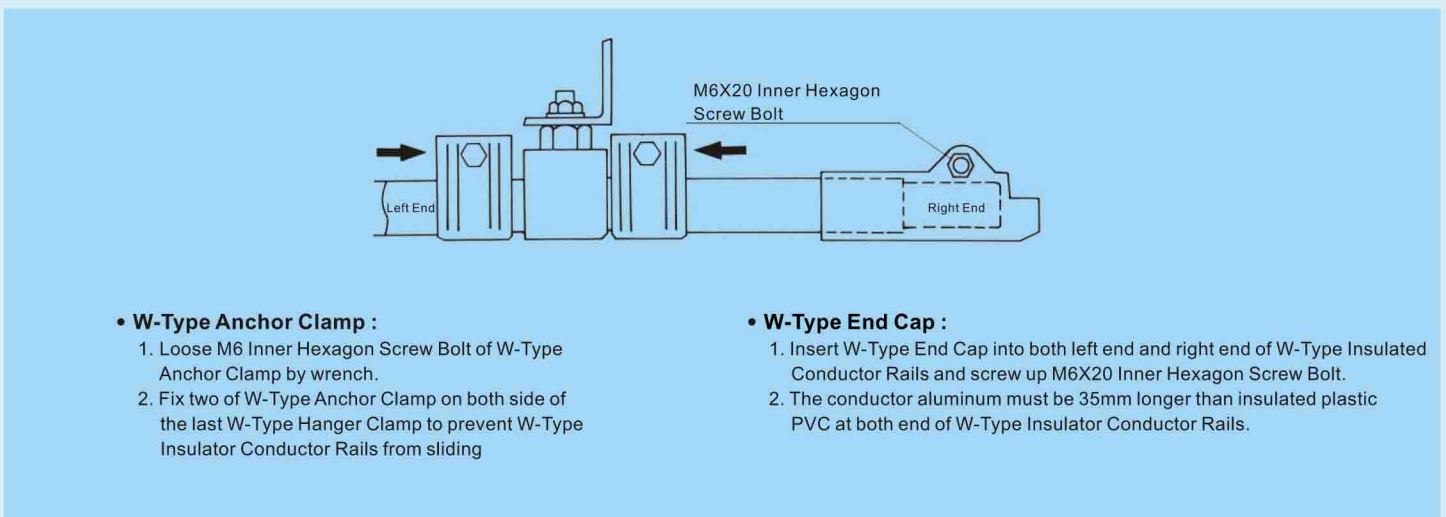
② How to connect both W-Type Insulator Conductor Rails by a W-Type Rails Connector.



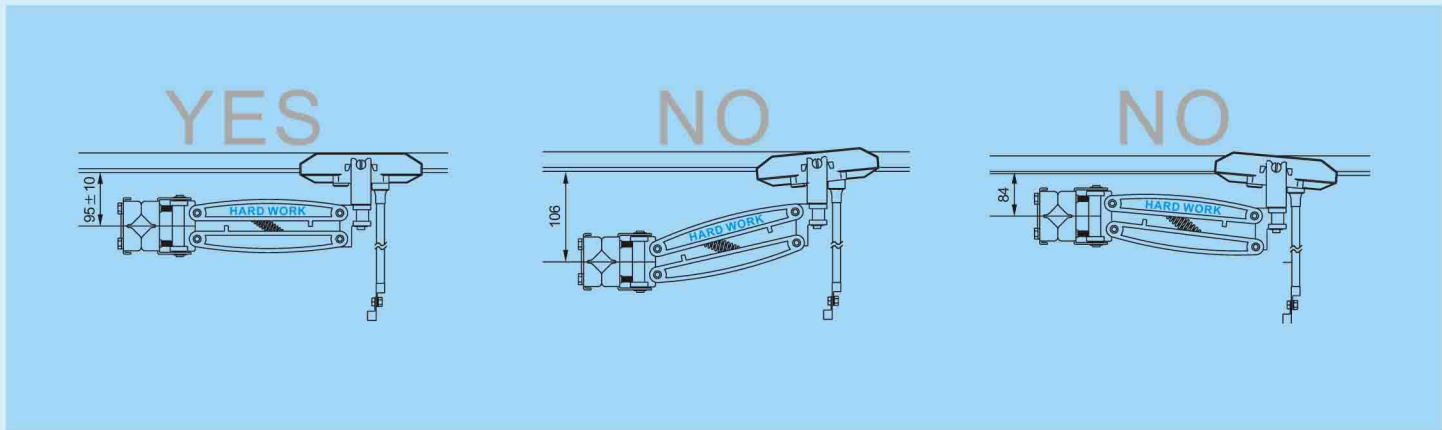
③ How to install W-Type Rails Connector and W-Type Power Feed.



④ How to install W-Type Anchor Clamp and W-Type End Cap.



⑤ W-Type Fix Square Bar & Collector Shoe Installation



Order Specification for 3 Phase

Total Length	W-Type Insulated Conductor Rails	W-Type Hanger Clamp	W-Type Rails Connector	W-Type Power Feed	W-Type End Cap	W-Type Anchor Clamp
20M	15pcs	39pcs	12pcs	3pcs	6pcs	6pcs
25M	21pcs	57pcs	18pcs	3pcs	6pcs	6pcs
30M	24pcs	66pcs	21pcs	3pcs	6pcs	6pcs
35M	27pcs	72pcs	24pcs	3pcs	6pcs	6pcs
40M	30pcs	84pcs	27pcs	3pcs	6pcs	6pcs
45M	36pcs	96pcs	33pcs	3pcs	6pcs	6pcs
50M	39pcs	108pcs	36pcs	3pcs	6pcs	6pcs
55M	42pcs	117pcs	39pcs	3pcs	6pcs	6pcs
60M	45pcs	129pcs	42pcs	3pcs	6pcs	6pcs
65M	51pcs	141pcs	48pcs	3pcs	6pcs	6pcs
70M	54pcs	147pcs	51pcs	3pcs	6pcs	6pcs
75M	57pcs	159pcs	54pcs	3pcs	6pcs	6pcs
80M	60pcs	165pcs	57pcs	3pcs	6pcs	6pcs
85M	66pcs	174pcs	63pcs	3pcs	6pcs	6pcs
90M	69pcs	184pcs	66pcs	3pcs	6pcs	6pcs
95M	72pcs	195pcs	69pcs	3pcs	6pcs	6pcs
100M	75pcs	204pcs	72pcs	3pcs	6pcs	6pcs
120M	90pcs	264pcs	87pcs	3pcs	6pcs	6pcs

Order Specification for 4 Phase

Total Length	W-Type Insulated Conductor Rails	W-Type Hanger Clamp	W-Type Rails Connector	W-Type Power Feed	W-Type End Cap	W-Type Anchor Clamp
20M	20pcs	52pcs	16pcs	4pcs	8pcs	8pcs
25M	28pcs	76pcs	24pcs	4pcs	8pcs	8pcs
30M	32pcs	88pcs	28pcs	4pcs	8pcs	8pcs
35M	36pcs	96pcs	32pcs	4pcs	8pcs	8pcs
40M	40pcs	108pcs	36pcs	4pcs	8pcs	8pcs
45M	48pcs	128pcs	44pcs	4pcs	8pcs	8pcs
50M	52pcs	144pcs	48pcs	4pcs	8pcs	8pcs
55M	56pcs	156pcs	52pcs	4pcs	8pcs	8pcs
60M	60pcs	172pcs	56pcs	4pcs	8pcs	8pcs
65M	68pcs	188pcs	64pcs	4pcs	8pcs	8pcs
70M	72pcs	204pcs	68pcs	4pcs	8pcs	8pcs
75M	76pcs	212pcs	72pcs	4pcs	8pcs	8pcs
80M	80pcs	232pcs	76pcs	4pcs	8pcs	8pcs
85M	88pcs	248pcs	84pcs	4pcs	8pcs	8pcs
90M	92pcs	264pcs	88pcs	4pcs	8pcs	8pcs
95M	96pcs	272pcs	92pcs	4pcs	8pcs	8pcs
100M	100pcs	292pcs	96pcs	4pcs	8pcs	8pcs
120M	120pcs	352pcs	116pcs	4pcs	8pcs	8pcs

A Specialist in Safe/Reliable Power and Data Transfer Systems for Moving Equipment

Insulated Conductor Rails



Spring Cable Reels



Flat Cable Festoon Systems



Heavy Duty Multipole Connector



Energy Chain Systems



Push Button Pendant



Agent :

