

TPT AC-evo | TPT UB AC-evo | TPT HL AC-evo

Towing Power 拖車動力

 Tow capacity (kg): 4000 - 5000 - 6000 - from 7000 to 20000 (HL versions)

牽引能力(公斤): 4000 - 5000 - 6000 - 從 7000 到 20000 (HL型)

TPT AC-evo

The safest and easiest way to tow rolling or trailed loads up to 6000 kg! Extra stability is gained from dual sets of heavy-duty front wheels. A powerful electro-hydraulic lift operates the tow hook or hitch ball.

最安全和最簡單的方法了拖曳滾動或托車載荷可達6000公斤！額外的穩定性是從雙組重型前輪獲得。強大的電動液壓升降操作拖鉤或拖車球。



AC technology

- + Performance
- + Driving control
- Service Costs

交流電技術

- +性能
- +驅動控制
- 服務費用

TPT UB AC-evo

Version with operator on board to tow four-wheel trailers; the drive with steering arm combined with the consent foot-key assure maximum safety during the handling operations.

操作者在車上拖四輪拖車的版本；在裝卸作業過程中，轉向臂結合腳鑰匙以確保最大的安全性的驅動器。



TPT HL AC-evo

With an extra heavy-duty structure, 24V or 48V AC traction drive motor technology and a powerful hydraulic lift, the TPT HL makes towing extreme loads up to 20 tons safe and easy.

有了一個額外的重型結構，24伏特或48伏特交流電牽引驅動電機技術和強大的液壓升降，TPT HL使得牽引極限載荷可達20噸，既安全又方便。



CAPACITY UP TO 20 TONS

POWER ASSISTED STEERING

* only for capacity higher than 8ton

Customised Trucks:

HL towing trucks are manufactured to the customer's specific requirements. The tow hook or hitch coupling is designed according to the mass and loads to be handled.

定製卡車：

HL牽引卡車製造依客戶的具體要求。拖鉤或控聯接器根據質量和被處理負荷進行設計的。

TOW TRACTORS

Features in detail:

詳細特點：



TOW HOOK:

Tow hooks or hitch couplings are designed specifically for the trailer or the equipment to be towed.

拖鉤：

拖鉤或懸掛聯接器是專門為拖車或被拖曳設備而設計。



LIFTING POWER:

The lift height of the tow hook or hitch coupling is adjusted by a powerful hydraulic system designed for extremely heavy loads.

提升力：

拖鉤或掛鉤的聯接器的上升高度是專為極重負載由強大的液壓系統進行調整。



TOWING OF GOODS WITH WALKING OPERATOR:

Maximum versatility and manoeuvrability to tow trailered loads in tight work spaces.

步行操作者貨物拖行：

拖車在狹小的工作空間有最大的多功能性和可操作性。



TOWING OF GOODS WITH OPERATOR ON BOARD:

An ergonomic platform and cushioned back rest offer maximum comfort and safety for the operator while towing over long distances.

操作員在牽引車上

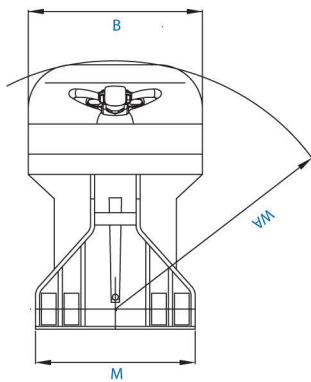
拖行貨物：

提供操作者一個符合人體工程學的平台和軟墊靠背提供最大的舒適性和安全性，能拖曳很長的距離。



TPT AC-evo

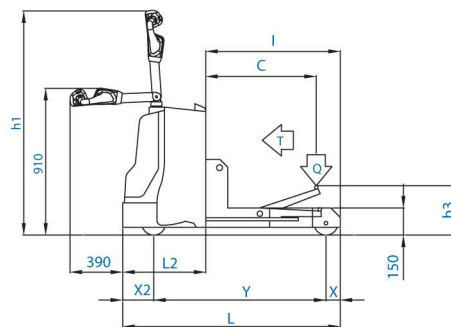
model		TPT 40	TPT 50	TPT 60
T	Kg	4000	5000	6000
Q	mm	2000	2500	3000
C	mm	700	700	700
I	mm	875	875	875
L	mm	1445	1520	1520
X	mm	130	130	130
X2	mm	210	230	230
Y	mm	1105	1160	1160
L2	mm	570	645	645
M	mm	580	580	580
h1	mm	1440	1440	1440
h3	mm	355	355	355
B	mm	750	750	750
WA	mm	1350	1420	1420



STANDARD EQUIPMENT

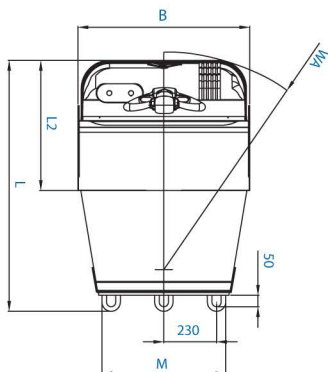
• AC three-phase technology traction motors • Electronic battery charger 24V 20A with microprocessor (for TPT 40) • Electronic battery charger 24V 50A with microprocessor (for TPT 50 and TPT 60) • Hook control by push-button • Electric end stroke • Electromagnetic parking brake • Braking in release contra flow • High-frequency electronic plant 24V with microprocessor fault research • Exhausted battery warning-indicator • DR-EVO Steering • Safety components • Traction Battery 24V from 160 Ah to 270 Ah (for TPT 40) • Traction Battery 24V from 240 Ah to 270 Ah (for TPT 50 and TPT 60)

交流三相技術牽引馬達。電子電池充電器 24V20A與微處理器（或TPT40）。電子電池充電器 24V50A與微處理器（適合TPT50和TPT60）掛鉤由按鈕控制。電氣和衝程。電磁停車剎車。剎車由控制流體釋放高頻電子廠24V附有微處理器故障研究。電池耗盡的警告指示器。DR-EVO的轉向安全組件。牽引電池24V從240Ah至270Ah（適合TPT 50和TPT60）



TPT UB AC-evo

model		TPT UB
T	Kg	4000
L	mm	1095
X	mm	112
X2	mm	196
Y	mm	717
L2	mm	570
M	mm	540
h1	mm	1155
B	mm	750
WA	mm	950



STANDARD EQUIPMENT

• AC three-phase technology traction motors • Electronic battery charger 24V 20A with microprocessor • Electric end stroke • Electromagnetic parking brake • Braking in release contra flow • High-frequency electronic plant 24V with microprocessor fault research • Exhausted battery warning-indicator • Footboard for operator • DR-EVO Steering • Safety components • Traction Battery 24V from 160 Ah to 270 Ah

交流三相技術牽引馬達。電子電池充電器 24V20A附有微處理器。電動尾端行程。電磁停車剎車。剎車由控制流體釋放。高頻電子廠 24V附有微處理器故障研究。電池耗盡的警告指示器。適合操作員的腳踏板。DR-EVO的轉向安全組件。牽引電池24 V從160Ah至270Ah

