



offers a full range of compaction equipment for both soil and asphalt : Forward plate compactors, Reversible plate compactors, Trench rammers and Walk behind duplex rollers for compacting all types of soil and asphalt applications.

offers a large range of plate compactors with a choice of compaction force, different plate sizes and widths depending on the application and material to compact as well as various engine options.

These machines combine technology together with highest standards of performance. has a wide experience and understanding of compaction, combining health and safety features.

is now N°1 in the world for low hand-arm vibration.

Forward plate compactors



PCEL 320X Extra light weight plate 50kg .....8  
 PCLX Plate compactor 60 kg  
 Light weight versatile plate compactors.....9  
 PCX 20A Plate compactor 75 kg  
 Specialist asphalt .....10  
 PCX12/36 - 13/40 Plate compactor 80kg  
 Combination plates for soil and asphalt..... 11  
 PCX Plate compactor 85kg  
 Combination plates for soil and asphalt.....12  
 PCX20/50 Heavy weight soil compactor 120kg..... 15  
 SF460 Plate compactor 80 kg  
 Special heavy duty soil .....16

Reversible plate compactors



RPC 30 kN  
 Compact reversible plate compactors .....17  
 RPC 45 kN  
 Medium size reversible plate compactors ..... 18  
 RPC 60 kN  
 Heavy duty reversible plate compactors..... 19

Trench Rammers



RT 65 - 67 kg .....20  
 RT 50 - 55 kg.....21  
 RT 66 - 68 kg .....21  
 RT 74 - 74 kg.....21

Walk behind Duplex Rollers for soil and asphalt



BWR 650 .....22

Compaction accessories



.....24

# PCEL 320X PCEL 320X型

Compacting



## Extra light weight plate 60kg 超輕重量板壓機50KG

Light Weight, Single Direction Vibration Plate is suitable for a multitude of applications: soil and asphalt compaction.

This product is specially designed for confined areas of granular soil in narrow trenches, interlocking blocks, footpath construction and maintenance, trenches and pipelines, sportsgrounds, landscaping and groundwork engineering.

**HONDA**



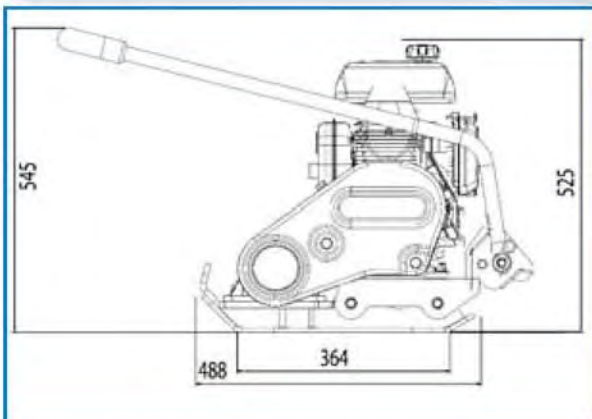
### ADVANTAGES

- Ultra compact design
- Removable operating handle for easy storage, handle folds very low as diagram shows
- Front and rear lift handles
- 8mm thick plate



Ref	Model	Engine Power (hp / kW)	Plate Size W x L (mm)	Static Pressure (kg/m <sup>2</sup> )	Centrifugal Force (kN)	Travel Speed (m/min)	Vibration (m/sec <sup>2</sup> ) / usage (hrs)	Weight (kg)
ELX3201 Orange ELX3203 Yellow	PCEL 320X petrol	3.0 / 2.2	320 X 364	425	11	23	2.9 / 5.6	49

Accessories p24



# PCLX 320 - 400

PCLX 320-400型

輕重量板壓機可作道路整修和維護用

PCLX Light weight forward plate compactors for repair work and maintenance.

When good compaction from a robust, lightweight plate is required the PCLX is the perfect choice.



**HONDA**

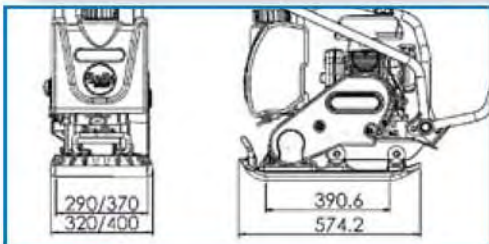


## ADVANTAGES

- Comfort handles help to reduce operator fatigue
- Low hand-arm vibration levels, patented and registered designs. Directive 2002/44/CE
- 320 or 400 base width - choice to suit applications
- Complete with lifting eye
- Large capacity (12 l), "Quick Release" water tank
- High quality vibrator gives reliability and performance
- Manual handling points for an easy two man lift

Ref	Model	Engine Power (hp / kW)	Plate Size WxL (mm)	Static Pressure (kg/m <sup>2</sup> )	Centrifugal Force (kN)	Travel Speed (m/min)	Vibration (m/sec <sup>2</sup> ) / usage (hrs)	Weight (kg)
PCLX petrol with water kit								
LC3222W	PCLX 320 (13") Orange	Honda GX100	320 x 574	398	13	16	2.42 / 10.7	61
LC3224W	PCLX 320 (13") Yellow	3.0/2.2						
LC4221W	PCLX 400 (16") Orange	Honda GX100	400 x 574	336	13	16	2.48 / 10.2	66
LC4223W	PCLX 400 (16") Yellow	3.0/2.2						
PCLX petrol without water kit								
LC3222	PCLX 320 (13") Orange	Honda GX100	320 x 574	398	13	16	2.42 / 10.7	59
LC3224	PCLX 320 (13") Yellow	3.0/2.2						
LC4221	PCLX 400 (16") Orange	Honda GX100	400 x 574	336	13	16	2.48 / 10.2	64
LC4223	PCLX 400 (16") Yellow	3.0/2.2						

Accessories p24



Compacting

# PCX 20A

PCX 20A型

Compacting



特殊DELTA壓板設計, 撓性及多用途適合柏油路  
**Special Delta plate designed with flexibility and versatility for compacting asphalt**

PCX 20A is a specially designed forward plate to compact asphalt with a focus on versatility. These plates are often used for repair work as a complement to larger asphalt machines.



## ADVANTAGES

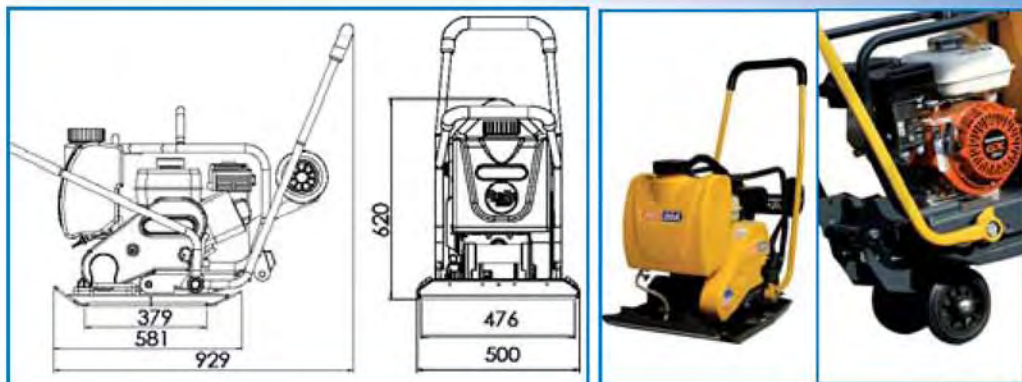
- Comfort handles help to reduce operator fatigue
- Extremely accurate with a small turning radius on asphalt
- Specially engineered "Delta" base plate for high performance
- Large capacity (12 l) water tank
- Strong protective frame as standard
- Wheel kit as standard
- Low mounted wide spray ramp permitting water flow to reach the back of the plate

**HONDA**



Ref	Model	Engine Power (hp / kW)	Plate size W x L (mm)	Static Pressure (kg/m <sup>2</sup> )	Centrifugal Force (kN)	Travel Speed (m/min)	Vibration (m/sec <sup>2</sup> ) / usage (hrs)	Weight (kg)
PCD10	PCX 20A Orange	Honda GX120 Petrol	500 x 581	420	13	28	5 / 3	75*
PCD11	PCX 20A Yellow	4 / 3						

\* Weight includes water kit and transporter



# PCX12/36 - 13/40

A combination plate for the rental industry 組合壓板適合出租工業

has developed a series of 2 true combination plates for compaction of granular and mixed materials with cohesive content as well as for hot or cold asphalt in confined areas such as parking lots, highways, close to structures, curbs, and abutments

This product provides great value for rental as it has been designed to resist the toughest applications.

This plate is designed with improved speed and frequency and with a shortened base plate. It allows the operator to smoothly run the machine in a wide range of field applications with demand on fast maintenance and repair.

Compacting



## HONDA

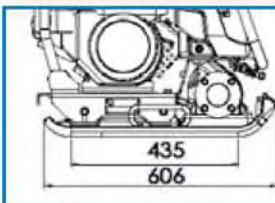
### ADVANTAGES

- Foldable mounted guide handle offers superior maneuverability and can be lowered from many working positions to centimeters of the surface to operate under obstacles and close to form work.
- Reinforced centrifugal clutch ensures longer belt life, and simplified belt adjustment.
- Lifting points and front lift cage offer easier loading and unloading for operator convenience
- Large capacity water tank is built into the protective frame.
- Angled holes on spray bar allow complete water coverage over the full width preventing any asphalt pick-up on plate bottom.
- The spraybar is fully protected from damage, easily positioned, with integral paving pad clamp points
- Compact wheelkit in option, easily fitted and removed
- Life lubricated vibration bearings.



Ref	Model	Engine Power (hp / kW)	Plate size W x L (mm)	Static Pressure (kg/m <sup>2</sup> )	Centrifugal Force (kN)	Travel Speed (m/min)	Weight (kg)
Plates with water kit							
FC3600EW	PCX 12/36	Honda petrol GX120 - 4 / 3	360 x 606	611	12.25	20	84.5
FC4000EW	PCX 13/40	Honda petrol GX120 - 4 / 3	400 x 606	542	13	20	87
Plates without water kit							
FC3600E	PCX 12/36	Honda petrol GX120 - 4 / 3	360 x 606	586	12.25	20	81
FC4000E	PCX 13/40	Honda petrol GX120 - 4 / 3	400 x 606	520	13	20	83.5

Accessories p24



# PCX 350 - 500

PCX 350-500型

Compacting



## 前行組合壓板,適合土壤和柏油 Forward combination plates for soil and asphalt

Plates with unique safety features, performance and stylish looks. High priority has been given to Health and Safety with low hand arm vibration. Patented and registered designs.

**HONDA**

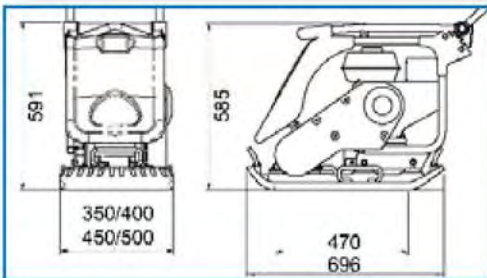


### ADVANTAGES

- Faster travel speed - for improved productivity
- Low hand-arm vibration - for operator health and safety
- Engine protection frame - also provides a lifting point
- Handle folds flat - compact size for transport and storage
- Optimum vibration 16.5kN force at 92Hz
- Option for water tank factory fitted
- Asphalt Combination Rounded Edge
- Cast base plate with rounded edges and integrated spray bar

Ref	Model	Engine Power (hp / kW)	Plate size W x L (mm)	Static Pressure (kg/m <sup>2</sup> )	Centrifugal Force (kN)	Travel speed (m/min)	Weight (kg)	Vibration Level (m/sec <sup>2</sup> )	Max Usage Time* (hrs)
PCX Petrol with water kit									
PC3500EW	PCX 350A	Honda GX120 - 4/3	350 x 696	480	13	24	89	2.26	12.3
PC4000EW	PCX 400A	Honda GX120 - 4/3	400 x 696	419	13	24	92	2.50	10.0
PC4513EW	PCX 450A	Honda GX160 - 5.5/4	450 x 696	382	16.5	23	96	2.45	10.4
PC5000EW	PCX 500A	Honda GX160 - 5.5/4	500 x 696	351	16.5	21	102	2.50	10.0
PCX Standard / Asphalt Petrol without water kit									
PC3500E	PCX 350A	Honda GX120 - 4/3	350 x 696	480	13	24	87	2.26	12.3
PC4000E	PCX 400A	Honda GX120 - 4/3	400 x 696	419	13	24	90	2.50	10.0
PC4513E	PCX 450A	Honda GX160 - 5.5/4	450 x 696	382	16.5	23	94	2.45	10.4
PC5000E	PCX 500A	Honda GX160 - 5.5/4	500 x 696	351	16.5	21	100	2.50	10.0

Accessories p 24      \*Minimum vibration level to EN500-4



# PCX 350 - 500

PCX 350-500型

前行組合壓板,適合土壤和柏油

Forward combination plates for soil and asphalt

Plates with unique safety features, performance and stylish looks. High priority has been given to Health and Safety with low hand arm vibration. Patented and registered designs.



Compacting

## ADVANTAGES

- Faster travel speed - for improved productivity
- Low hand-arm vibration - for operator health and safety
- Engine protection frame - also provides a lifting point
- Handle folds flat - compact size for transport and storage
- Optimum vibration 16.5kN force at 92Hz
- Option for water tank factory fitted
- Asphalt Combination Rounded Edge
- Cast base plate with rounded edges and integrated spray bar

Ref	Model	Engine	Power (hp / kW)	Plate size W x L (mm)	Static Pressure (kg/m <sup>2</sup> )	Centrifugal Force (kN)	Travel speed (m/min)	Weight (kg)	Vibration Level (m/sec <sup>2</sup> )	Max Usage Time* (hrs)
PCX Standard / Asphalt Petrol with water kit										
PC3510EW	PCX 350A	Robin EX13	5/3.5	350 x 696	480	13	24	89	2.26	12.3
PC4035EW	PCX 400A	Robin EX17	6/4.5	400 x 696	419	13	24	92	2.50	10.0
PC4537EW	PCX 450A	Robin EX17	6/4.5	450 x 696	382	16.5	23	96	2.45	10.4
PC5022EW	PCX 500A	Robin EX17	6/4.5	500 x 696	351	16.5	21	102	2.50	10.0
PCX Standard / Asphalt Petrol without water kit										
PC3510E	PCX 350A	Robin EX13	5/3.5	350 x 696	480	13	24	87	2.26	12.3
PC4035E	PCX 400A	Robin EX17	6/4.5	400 x 696	419	13	24	90	2.50	10.0
PC4537E	PCX 450A	Robin EX17	6/4.5	450 x 696	382	16.5	23	94	2.45	10.4
PC5022E	PCX 500A	Robin EX17	6/4.5	500 x 696	351	16.5	21	100	2.50	10.0

Accessories p 24

\*Minimum vibration level to EN500-4



# PCX 350 - 500

PCX 350-500型

Compacting



## 前行組合壓板,適合土壤和柏油 Forward combination plates for soil and asphalt

Plates with unique safety features, performance and stylish looks. High priority has been given to Health and Safety with low hand arm vibration. Patented and registered designs.



### ADVANTAGES

- Faster travel speed - for improved productivity
- Low hand-arm vibration - for operator health and safety
- Engine protection frame - also provides a lifting point
- Handle folds flat - compact size for transport and storage
- Optimum vibration 16.5kN force at 92Hz
- Option for water tank factory fitted
- Asphalt Combination Rounded Edge
- Cast base plate with rounded edges and integrated spray bar

Ref	Model	Engine Power (hp / kW)	Plate size W x L (mm)	Static Pressure (kg/m <sup>2</sup> )	Centrifugal Force (kN)	Travel speed (m/min)	Weight (kg)	Vibration Level* (m/sec <sup>2</sup> )	Max Usage Time (hrs)
PCX Standard/ Asphalt Diesel Hatz with water kit									
PC4525EW	PCX 450A	Hatz 1B20 - 4.6/3.5	450 x 696	440	16.5	22	113	2.61	9.2
PC5012EW	PCX 500A	Hatz 1B20 - 4.6/3.5	500 x 696	404	16.5	21	116	2.59	9.3
PCX Standard/ Asphalt Diesel Hatz without water kit									
PC4525E	PCX 450A	Hatz 1B20 - 4.6/3.5	450 x 696	440	16.5	22	111	2.61	9.2
PC5012E	PCX 500A	Hatz 1B20 - 4.6/3.5	500 x 696	404	16.5	21	114	2.59	9.3

Accessories p 24

\*Minimum vibration level to EN500-4





# PCX 20/50 - New



## HEAVY WEIGHT SOIL COMPACTOR 重型土壤壓實機

Used for soil compaction on new developments, repairs and maintenance jobs with large aggregates, clay or moist content. This plate is a hard hitting but user friendly machine in the heavy weight class.

PCX20/50 has outstanding compaction features and is the heaviest forward plate compactor in the range.


**HONDA**

### ADVANTAGES

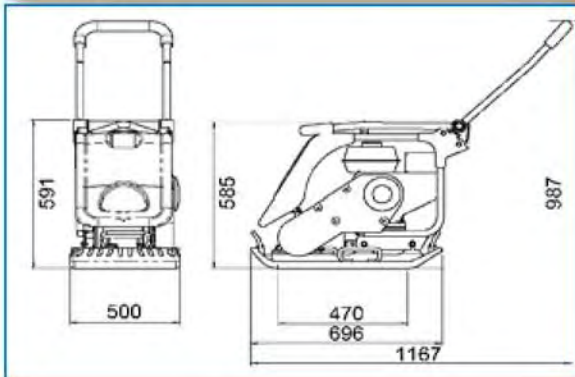
- Compaction all-rounder for soils, asphalt and pavements, a plate with unlimited possibilities
- The optimum vibratory plate for finishing or patching a surface
- Highest degree of operator comfort: patented vibration neutralization of the operating handle
- Wear and fracture resistant cast base plate, even during continuous load applications, manufactured out of extremely resistant cast iron (GJS-700)
- The sturdy protective frame makes this plate resistant to rough treatment or mechanical shocks
- Powered by Honda
- Paving pad available as an accessory

Available 2nd quarter 2009<sup>1</sup>



Ref	Model	Engine - Power (hp / kW)	Plate Size W x L (mm)	Static pressure (kg/m <sup>2</sup> )	Centrifugal Force (kN)	Travel Speed (m/min)	Weight (kg)	Vibration level (m/sec <sup>2</sup> )	Max usage time (hrs)
FC5000E	PCX 20/50	Honda GX160 - 5.5 / 4	500 x 696	501	20	25	120	3.5	4.15

Accessories p 24



# SF 460

SF 460型

Compacting



## Special Force Plate Compactor 特殊力量板壓實機

On soil and difficult ground conditions the SF 460 makes good progress when other machines can get stuck.

A well proven design that has been engineered to give many years service in harsh conditions.

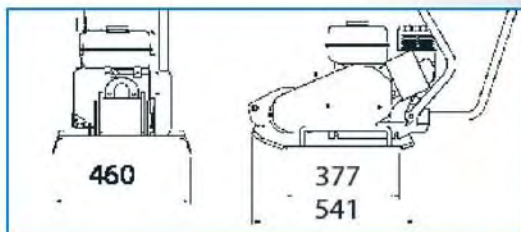


### ADVANTAGES

- High centrifugal force for powerful performance
- 90hz Low frequency : high amplitude fast travel speeds better soil compaction
- Extra thick durable base plate
- Strong aluminium belt guard
- Low maintenance vibrator
- Handle folds over engine for storage and transportation



Ref	Model	Engine -	Power (hp / kW)	Plate Size W x L (mm)	Frequency (Hz)	Centrifugal Force (kN)	Forward Speed (m/min)	Weight (kg)
164.9.000	SF 460	Honda GX160 Petrol	- 5.5 / 4.1	460 x 541	90	18	24	80
164.9.004	SF 460	Robin EX17 Petrol	- 6 / 4.5	460 x 541	90	18	24	81



# RPC 30 kN 140-200 kg class plate



## Compact reversible plate compactors 強力可逆性板壓機

Forward and reversible compactors with centrifugal force of 30kN. Speed and compaction depth are adjusted through hydraulic control of the eccentric element. This gives the plate smooth motion and makes it easy to operate. General plate for compaction work close to piles and concrete bases. Excellent for floor fillings, foundations, road repairs as well as backfill in pipe trenches.


**HONDA**

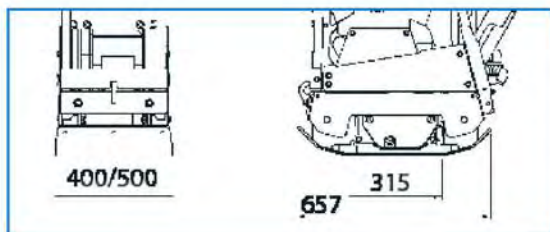

### ADVANTAGES

- Two sizes of base plate and weights to suit all kind of applications combining low weight with high compaction force
- Model 30/40, base plate width 400 mm
- Model 30/50, base plate width 500 mm
- Compact machines with highest performance and compaction results
- Petrol or diesel engine options
- High frequency vibrating element 90 HZ
- Compact design combined with excellent ergonomic and low hand arm vibrations which minimising operator fatigue
- Specially designed operator handle for easy operating with minimum of strain
- User and service friendly where all components are easily accessible
- Large centrally placed lifting hook
- Foldable handle which provide easy moving, minimum size for transport and storage



Ref	Model	Engine - Power - (hp / kW)	Plate size W x L (mm)	Centrifugal Force (kN)	Frequency (Hz)	Weight Class	Weight (kg)
161.9.001	RPC 30/40	Honda GX160 Petrol - 5.5 / 4	400 x 657	30	90	160	158.4
161.9.000	RPC 30/40D	Hatz 1B20 Diesel - 4.2 / 3.1	400 x 657	30	90	160	175
161.9.067	RPC 30/50	Honda GX160 Petrol - 5.5 / 4	500 x 657	30	90	200	186
161.9.066	RPC 30/50D	Hatz 1B20 Diesel - 4.2 / 3.1	500 x 657	30	90	200	200

Options p 24



# RPC 45 kN 300 kg class plate



## Medium size reversible plate compactors. 中等尺寸可逆性板壓機

Medium size heavy duty forward and reverse plate compactor for soil applications. Ideally used for compaction in backfill in pipe and cable trenches as well as road repair and maintenance work. Speed and compaction depth are adjusted through hydraulic servo control of the eccentric element. Design includes strong wrap around frame that will stand severe shock and also protects vital parts of the machine.



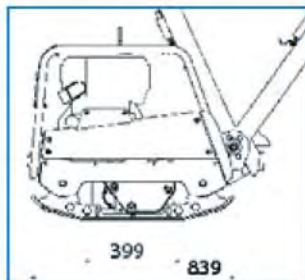
### ADVANTAGES

- Compact design
- Total plate width of 600mm, this model is equipped with 2 quick release extension plates to permit versatility in applications (Extensions 2 x 75 mm)
- Engine options of petrol or diesel. RPC45/60 is available with diesel electric start as an option
- Optimized compaction depth is achieved by a high frequency vibrating element
- Excellent ergonomics has been achieved by reducing hand arm vibrations
  - use the specially designed operator handle which is easy to operate even in difficult curves
- Foldable handle with locking mechanism to have simplified transport and storage

HONDA



Ref	Model	Engine - Power (hp / kW)	Plate size W x L (mm)	Centrifugal Force (kN)	Frequency (Hz)	Weight Class	Weight (kg)
161.9.005	RPC 45/60	Honda GX270 Petrol - 9 / 6.7	600 x 839	45	70	300	310
161.9.004	RPC 45/60D	Hatz 1B30 Diesel - 6.3 / 4.7	600 x 839	45	70	300	320
	RPC 45/60DE Electric start						
161.9.068	Orange	Hatz 1B30 Diesel 6.3 / 4.7	600 x 839	45	70	300	330
161.9.076	Yellow						



# RPC 60 kN 500 kg class plate



## Heavy duty reversible plate compactors. 重型可逆性板壓機

Heavy reversible plate compactors with optimum compaction performance. A powerful diesel engine, makes the RPC60/80 series an economical alternative to heavy vibratory rollers. The base plate is designed for fast compaction on stone and soil material on large surfaces. Excellent for building foundations and backfill against supporting walls.



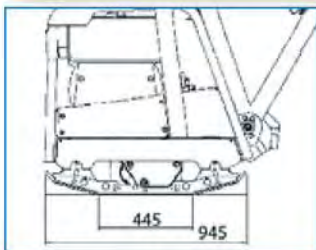
### ADVANTAGES

- Exceptional centrifugal force 60kN
- Compact and designed with protective side covers to ensure safe passage in deep trenches
- Ideal for large projects
- Total bottom plate width can be extended to 700 mm or 800 mm with quick release extension plates (550 mm base width without extensions)
- Extension plates 2 x 75 included
- Extension plates 2 x 125 as available option
- Diesel Hatz engine ID81Z
- RPC 60/80 is available with electric start (option)
- Reliable in operations with excellent compaction features
- High frequency vibrating element
- Easy to work and manoeuvre, developed to reduce operator fatigue
- Ergonomic operating handle
- User and service friendly, components are easily accessible, many standard components
- Large centrally placed lifting hook
- Foldable handle locking into frame for easy transport and storage



Ref	Model	Engine Power (hp / kW)	Plate size W x L (mm)	Centrifugal Force (kN)	Frequency (Hz)	Weight Class	Weight (kg)
161.9.064	RPC 60/80D	Hatz 1D81Z Diesel - 15 / 11	700 x 945	60	70	500	502
	RPC 60/80DE Electric start						
161.9.065	Orange	Hatz 1D81Z Diesel - 15 / 11	700 x 945	60	70	500	522
161.9.072	Yellow						

Options p 24



## 4-stroke compact trench rammers 四衝程壕溝樁錘機

The new and unique RT 65 with a narrow frame and handle for work in deep, confined trenches. The RT 65 also has a lowered fuel tank, engine protection frame, transport roller and auxiliary lifting handle.

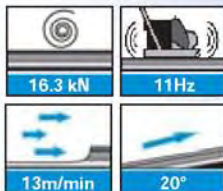


**HONDA**



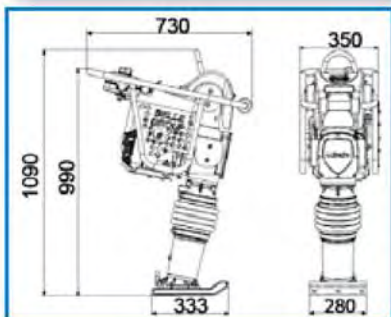
### ADVANTAGES

- Low emission and low noise 4 stroke engine
- 3 fuel filters and large capacity air filter for extra reliability
- Special throttle system for smoother running
- Highly engineered shock mount for minimum Hand-Arm Vibration



Ref	Model	Power (hp / kW)	Frequency (vpm)	Travel (m/min)	Force (kN)	Foot (mm)		Dimensions (mm)			Weight (kg)
						W	L	W	H	L	
158.9.030	RT 65 Honda GX100 Orange	3.1 / 2.3	650-700	13	16.3	280	333	350	1090	730	67
158.9.031	Yellow										

Replacement foot and accessories p 24



# RT 50/66/74

RT 50/66/74型

## 4 Stroke Rammers 四衝程椿錘機

A range of 3 machines designed with forthcoming environmental legislation in mind. All the performance and durability that a contractor expects with the added benefit of a four stroke petrol engine.

Tried and tested in the harshest working environments these rammers are built to perform.

**HONDA**



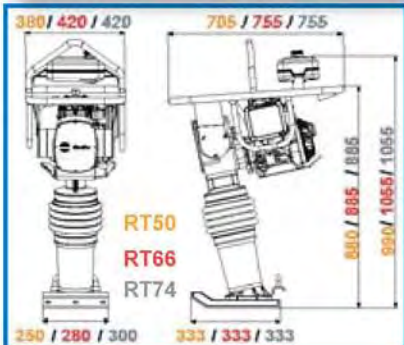
### ADVANTAGES

- Reliable, easy start, no petrol/oil mixture needed
- Low emission and low noise 4 stroke engine
- 3 fuel filters and large capacity air filter for extra reliability
- Direct gear drive with oil bath lubrication extends service life
- Extra heavy duty bellows
- Well balanced performance reduces operator effort
- Heavy duty protection frame and adjustable handles



Ref	Model	Power (hp / kW)	Frequency (vpm)	Travel (m/min)	Force (kN)	Foot (mm)		Dimensions (mm)			Weight (kg)
						W	L	W	H	L	
158.9.017	RT50 Honda GX100	3.1 / 2.3	570-635	13.0	13.75	250	333	380	990	705	54
158.9.009	RT66 Honda GX120	4 / 3	550-620	13.6	18.65	280	333	420	1055	755	69
158.9.015	RT66 Robin EH12D	4 / 3	550-620	13.6	18.65	280	333	420	1055	755	68
158.9.011	RT74 Honda GX120	4 / 3	550-620	13.3	18.65	300	333	420	1055	755	75

Replacement foot and accessories p 24



RT66 Robin EH12D  
with Dual Air filter as standard



RT66/RT74 Honda GX120  
with Dual Air filter as option

Compacting

# BWR 650

BWR 650型

Compacting



走行式雙滾輪壓實機，適合土壤和柏油  
Walk behind duplex roller for soil and asphalt.

Fully hydrostatic walk behind duplex rollers.

Suitable for all possible applications on asphalt and sub-base.

Featuring compact design, the ultimate quality standards and components together with a Kubota diesel engine, this roller sets the quality standard in the industry through years of tough use.



## ADVANTAGES

- Excellent wall clearance with no protruding parts
- BWR 650 equipped with – KUBOTA Diesel E75NB3 Electric starter. Extremely reliable and with lowest noise levels in the industry
- High compaction force 20kN
- Water cooled mono cylinder diesel engines, reliable in any site conditions
- Hydraulic drive motors by Sauer Danfoss on each drum
- Large capacity water tank with removable anti corrosive water sprinkler system, permitting watering over the whole surface of the drum
- Drum diameter 402mm, drum width 650mm
- Good kerb and overhang edge clearance
- Electric start

Kubota



Ref	Model	Engine Power (hp / kW)	Frequency (Hz/ vpm)	Travel (km/hr)	Force (kN)	Dimensions (mm)			Weight (kg)
						W	H	L	
DR04	BWR 650 Roller Electric Start yellow	Kubota E75NB3 6.5 / 4.8	55/ 3300	> 3.6	20	700	1150	2385	675





# BWR 650

BWR 650型

走行式雙滾輪壓實機，適合土壤和柏油

Walk behind duplex rollers for soil and asphalt

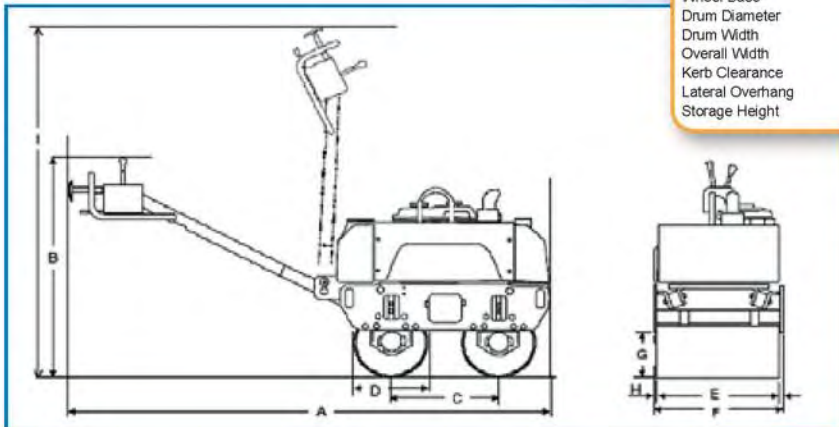
Strong and robust design, yet compact in size combined with utmost reliability for the most difficult site conditions



Kubota

## ADVANTAGES

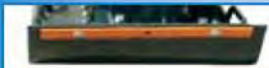
- Protective side covers in steel
- Parking brake
- Security push stop
- Central placed lifting eye
- User and service friendly with easy access to all major components
- Centrally placed vibrator with easy access
- Foldable handle and locking mechanism
- Lowest noise standards
- Low hand arm vibrations due to large silent blocks mounted to handle
- Perfectly balanced
- Easy to manoeuvre in forward and reverse modes with instant response controls
- No markings on asphalt



Overall Length	(mm)	A - 2385
Overall Height	(mm)	B - 1150
Wheel Base	(mm)	C - 560
Drum Diameter	(mm)	D - 402
Drum Width	(mm)	E - 650
Overall Width	(mm)	F - 700
Kerb Clearance	(mm)	G - 260
Lateral Overhang	(mm)	H - 25
Storage Height	(mm)	I - 1800

# 壓實機(夯土機)配件 Compaction Accessories

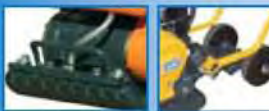
## PCEL320X



OPP/63/DIO Paving pad

PCEL320X

## PCLX



OPP/01/DIO	Paving pad	PCLX320
OPP/02/DIO	Paving pad	PCLX400
OPP/51S/DIO	Kit Water Spray	PCLX 320 Orange
OPP/51Y/DIO	Kit Water Spray	PCLX 320 Yellow
OPP/54S/DIO	Kit Water Spray	PCLX 400 Orange
OPP/54Y/DIO	Kit Water Spray	PCLX 400 Yellow
OPP/60/FIO	Wheel Kit	PCLX320/400

(Compatible with models serial no: 050570 and beyond only)

## PCX 12/36-13/40



OPP/65/DIO	Paving pad	PCX 12/36
OPP/66/DIO	Paving pad	PCX 13/40
OPP/70S/DIO	Kit Water Spray	PCX 12/36 Orange
OPP/71S/DIO	Kit Water Spray	PCX 13/40 Orange
OPP/74/FIO	Wheel Kit	PCX 12/36 - 13/40

## PCX350-500 - PCX20/50



OPP/26/DIO	Paving pad	PCX 350 (14")
OPP/28/DIO	Paving pad	PCX 400 (16")
OPP/30/DIO	Paving pad	PCX 450 (18")
OPP/32/DIO	Paving pad	PCX500 - PCX20/50 (20")
OPP/46S/DIO	Kit Water Spray	PCX 350
OPP/47S/DIO	Kit Water Spray	PCX 400
OPP/48S/DIO	Kit Water Spray	PCX 450
OPP/49S/DIO	Kit Water Spray	PCX 500
OPP/35/DIO	Fixed wheels for fab and cast bases	(not available for Hatz)
OPP/50/FIO	Detachable wheels cast bases	



## RPC 30kN/60kN



OPP/18/FIO	Wheel kit	RPC30kN
OPP/41/DIO	2x125mm Extension Plates	RPC60kN

DIO dealer install option/ FIO factory install option

## RT50/65/66/74



Replacement foot :

158.0.131	170mm Rammer foot Universal shoe	RT50/RT65/RT66/RT74
158.0.052	250mm Rammer foot	RT50/RT65
158.0.048	280mm Rammer foot	RT50/RT65
158.0.026	280mm Rammer foot	RT66/RT74
158.0.903	300mm Rammer foot	RT66/RT74

Accessories :

158.3.011	Complete kit with universal shoe 170x330mm (w x l), bolts and nuts	All RT range
158.3.003	Wooden narrow shoe 215 x 332mm (w x l)	RT50/RT65
158.3.007	Wooden narrow shoe 235 x 332mm (w x l)	RT66/RT74
158.3.001	Extension shoe kit 100 x 330 x 300mm (w x l x h)	RT50/RT65
158.3.005	Extension shoe kit 100 x 330 x 300mm (w x l x h)	RT66/RT74
158.3.002	Extension shoe kit 150 x 330 x 300mm (w x l x h)	RT50/RT65
158.3.006	Extension shoe kit 150 x 330 x 300mm (w x l x h)	RT66/RT74
OPRA/02/DIO	Dual Air Filter GX160 Honda	RT66
158.0.100	Rubber Isolator for handle	



All the optional shoes of the RT 50 are available for the old models of RT66 (c.no. 0210064)