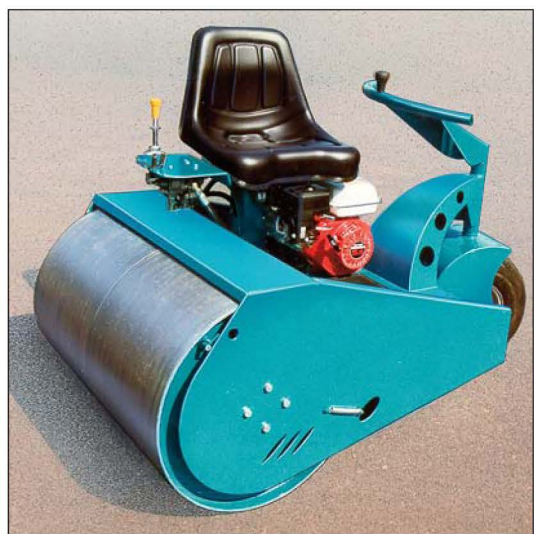


騎乘滾輪壓實機 RIDE-ON ROLLER

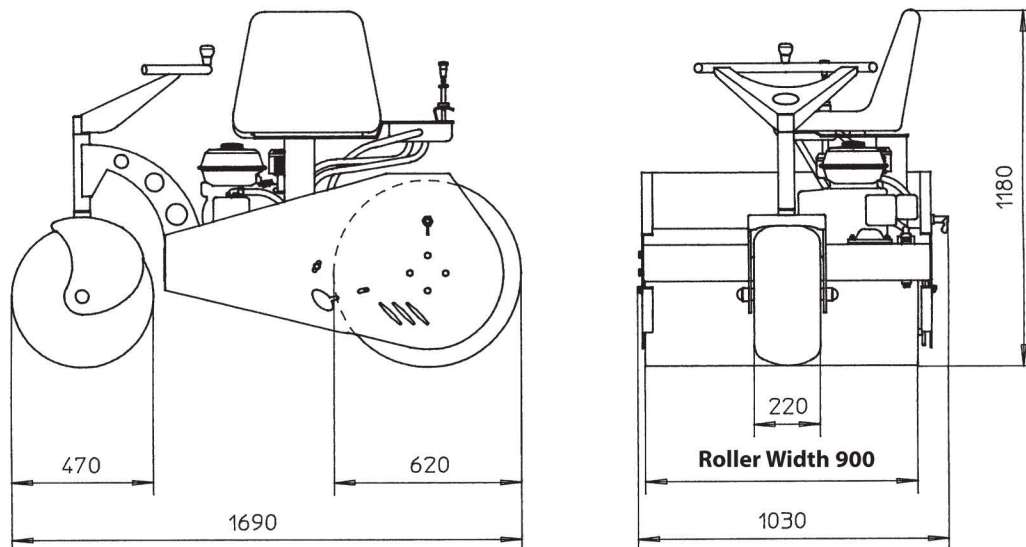


Application made for registered design

- **Specially developed for tennis courts, athletic fields and running tracks**
特別發展作為網球場，運動場和跑道使用
- **Hydrostatic drive**
靜油壓驅動
- **Minimum turning circle**
最小旋轉圓圈
- **Optimum seating position for both driving directions**
舒服座位適合兩種驅動方向

The MW 2000: The comfortable roller with new engineering and new design MW2000:舒服的滾輪，附新的工程及設計

The MW 2000 is characterised by a new design and a simple operation. The continuous acceleration together with an optimum view in both directions turns the work into pleasure.



Specification:

Engine	4-stroke HONDA engine, 4 kW, regular fuel with oil leak switch off.
Drive	Maintenance-free hydraulic drive for smooth starts and continuous acceleration.
Seat position	Seat turned 90° towards driving direction, thus comfortable driving in both directions.
Drum	The large drum diameter of 620 mm guarantees an optimum surface; the split-drum design provides minimum turning circle; both drum bodies can be connected and filled with water.

Front wheel	The large dimensions (d 470/ b = 220 mm) guarantee best rolling.
Bearing	Smooth drive via maintenance-free bearings.
Scraper	Self-adjusting.
Speed	Continuously forwards/backwards, max. 4 km/h.
Weight	Empty: 385 kg, loaded: 590 kg.
Painting	Turquoise.
Order no.	608 100

610

HAND ROLLER 手推滾輪壓實機

Hand Roller HW 60 HW60手推滾輪

One-piece hand roller for the landscape industry, working width 600 mm, drum diameter 460 mm, weight empty/loaded approx. 68/141 kg, maintenance-free bearings, self-adjusting scraper.

Order no. 610 210



HW 60