

Axial Piston 軸向氣缸式氣動馬達

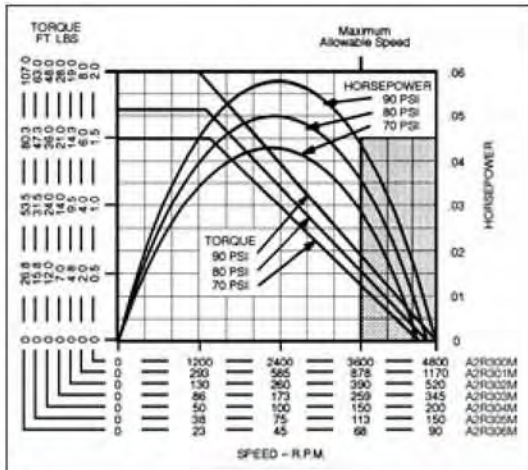
Cleco®

A2 Series A2系列

- Maximum Power
0.6 hp
0.45 kW
- Torque Range
2 – 107 ft. lbs.
2.7 – 145 Nm
- Reversible
- Rear Exhaust



A2R300M



Model Number	RPM**		Stall Torque		Starting Torque		Weight		Gear Ratio	Max. Overhung Load @ Stall*	
	at Max. hp	Free Speed	ft lbs.	Nm	ft lbs.	Nm	lbs.	kg		lbs.	kg

Face Mounting – 7/8" Diameter Keyed Spindle

A2R300M	2360	4800	2	2.7	1.5	2	14	6.35	—	800	363
A2R301M	575	1170	8	11.0	6.0	8	14	6.35	4.1:1	800	363
A2R302M	255	520	19	26.0	13.0	18	14	6.35	9.25:1	800	363
A2R303M	169	345	28	38.0	21.0	28	22	9.98	13.9:1	800	363
A2R304M	99	200	48	65.0	36.0	49	22	9.98	23.8:1	800	363
A2R305M	75	150	63	85.0	47.0	64	22	9.98	31.4:1	800	363
A2R306M	44	90	107	145.0	80.0	108	22	9.98	53.6:1	800	363

* All models assume overhung load located at 1.75" (44.45mm) from face of motor.

** These motors must be operated with sufficient load to prevent speed from exceeding maximum allowable speed shown on performance curve.

General:

Air Inlet: 1" NPTF

Air consumption: 212 cfm (6.00 m³/min)

All tools performance rated @ 90psi (620 kPa) air pressure.

Standard Equipment:

Foot and flange type mount.

Optional Equipment:

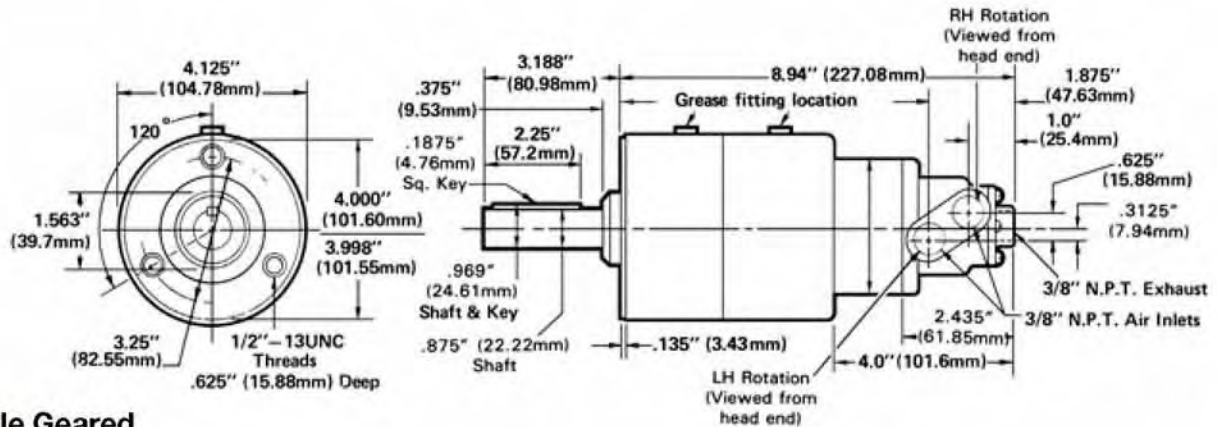
Exhaust Muffler – Part 524302

Lubricating Oil – Part 533485 (1 gallon)

Gear Oil – Part 535090 (1 gallon)

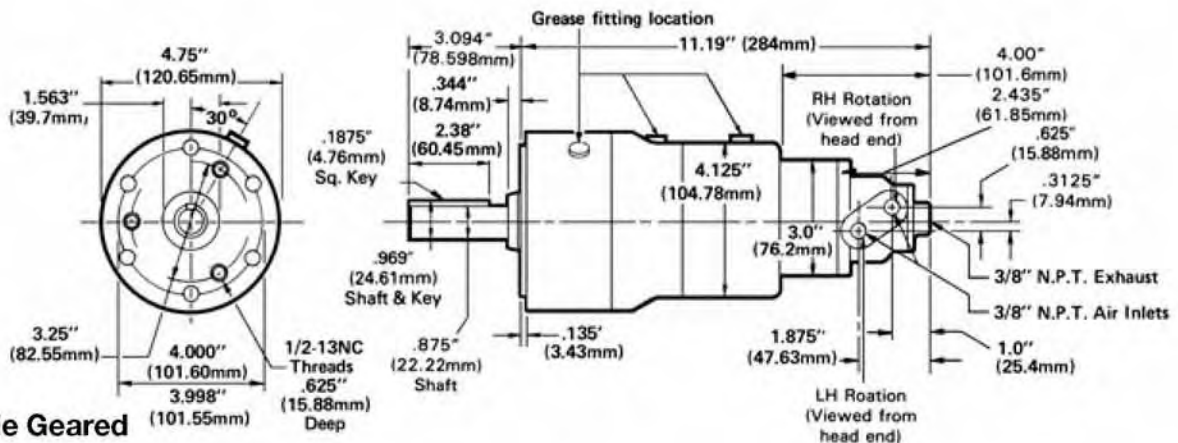
Additional Accessories: Pages 64-65

A2 Series Dimensional Data A2系列尺寸數據



Single Geared

- A2R300M
- A2R301M
- A2R302M



Double Geared

- A2R303M
- A2R304M
- A2R305M
- A2R306M

Axial Piston 軸向氣缸式氣動馬達

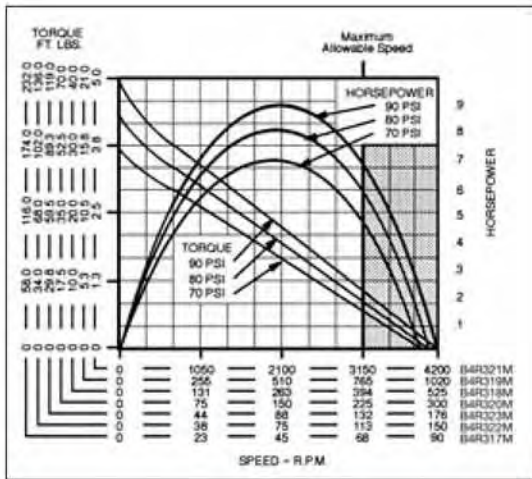
Cleco®

B4 Series B4系列

- Maximum Power
0.9 hp
0.67 kW
- Torque Range
4 – 232 ft. lbs.
6.8 – 315 Nm
- Reversible
- Rear Exhaust



B4R321M



Model Number	RPM**		Stall Torque		Starting Torque		Weight		Gear Ratio	Max. Overhung Load @ Stall*	
	at Max. hp	Free Speed	ft. lbs.	Nm	ft. lbs.	Nm	lbs.	kg		lbs.	kg

Face Mounting – 7/8" Diameter Keyed Spindle

B4R321M	2150	4200	5	6.8	3.7	5	14.5	6.57	—	800	363
B4R319M	525	1020	21	28.0	15.0	20	14.5	6.57	4.1:1	800	363
B4R318M	270	525	40	54.0	30.0	41	14.5	6.57	8:1	800	363
B4R320M	154	300	70	95.0	52.0	71	22.5	10.21	13.9:1	800	363
B4R323M	90	175	119	161.0	88.0	119	22.5	10.21	23.8:1	800	363
B4R322M	79	150	136	184.0	101.0	137	22.5	10.21	27.2:1	800	363
B4R317M	46	90	232	315.0	172.0	233	22.5	10.21	46.4:1	800	363

* All models assume overhung load located at 1.75" (44.45mm) from face of motor.

**These motors must be operated with sufficient load to prevent speed from exceeding maximum allowable speed shown on performance curve.

General:

Air Inlet: 3/8" NPTF

Air consumption: 40 cfm (1.13 m³/min)

All tools performance rated @ 90psi (620 kPa) air pressure.

Optional Equipment:

Exhaust Muffler – Part 813485

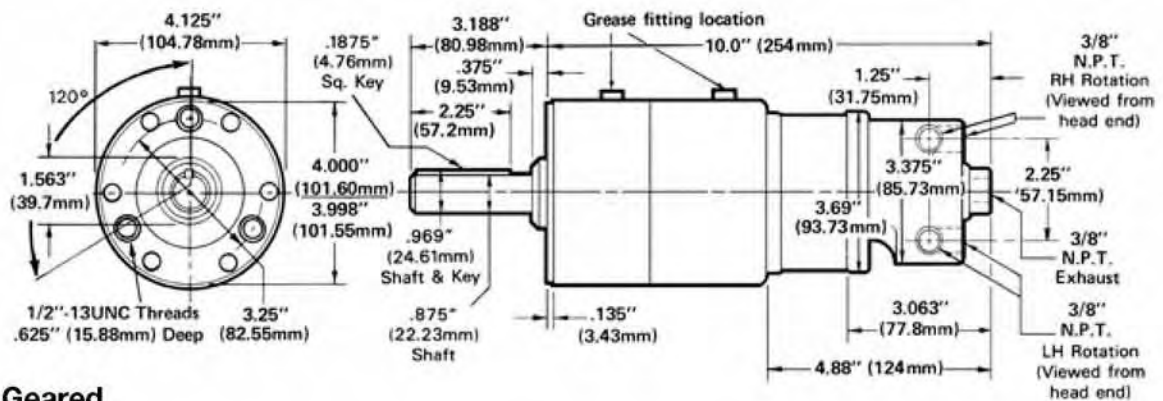
Pendent Control Kits – See page 51

Lubricating Oil – Part 533485 (1 gallon)

Motor and Gear Lube – Part A123771 (1 pound)

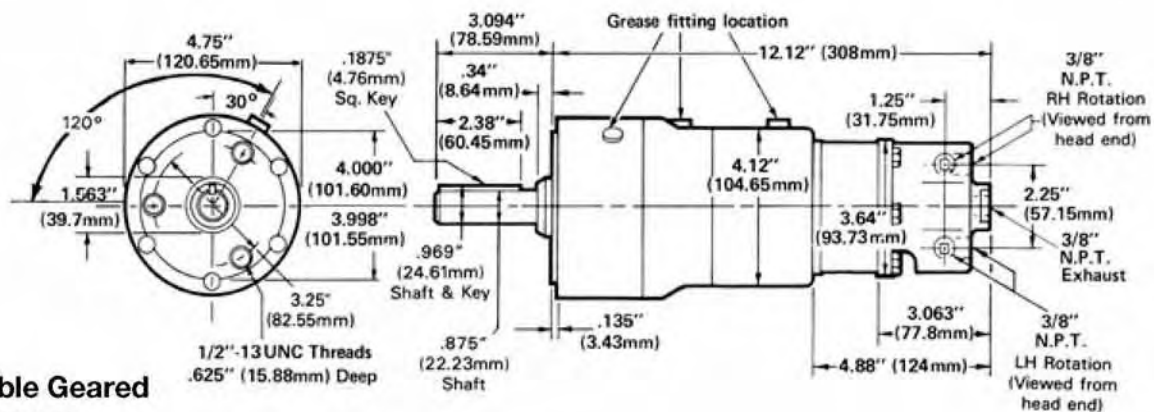
Additional Accessories: Pages 64-65

B4 Series Dimensional Data B4系列尺寸數據



Single Geared

B4R321M
B4R319M
B4R318M



Double Geared

B4R317M
B4R320M
B4R322M
B4R323M

Axial Piston 軸向氣缸式氣動馬達

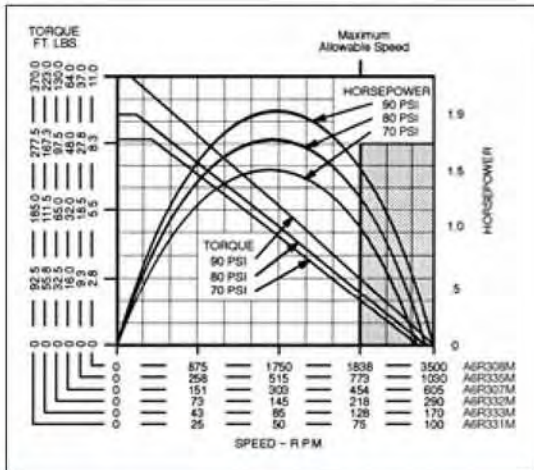
Cleco®

A6 Series A6系列

- Maximum Power
1.9 hp
1.42 kW
- Torque Range
11 – 370 ft. lbs.
15 – 502 Nm
- Reversible
- Rear Exhaust



A6R308M



Model Number	RPM**		Stall Torque		Starting Torque		Weight		Gear Ratio	Max. Overhung Load @ Stall*	
	at Max. hp	Free Speed	ft lbs.	Nm	ft lbs.	Nm	lbs.	kg		lbs.	kg

Face Mounting – 1 1/8" Diameter Keyed Spindle

A6R308M	1820	3500	1	15	8	11	27	12.2	—	1000	454
A6R335M	535	1030	37	50	27	37	27	12.2	3.4:1	1000	454
A6R307M	315	605	64	87	48	65	27	12.2	5.8:1	1000	454
A6R332M	152	290	130	176	96	130	43	19.5	11.9:1	1000	454
A6R333M	89	170	223	302	163	221	43	19.5	20.3:1	1000	454
A6R331M	54	100	370	502	269	365	43	19.5	33.6:1	1000	454

* All models assume overhung load located at 2.25" (57.15mm) from face of motor.

** These motors must be operated with sufficient load to prevent speed from exceeding maximum allowable speed shown on performance curve.

General:

Air Inlet: 3/8" NPTF

Air consumption: 62 cfm (1.76 m³/min)

All tools performance rated @ 90psi (620 kPa) air pressure.

Optional Equipment:

Exhaust Muffler – Part 813485

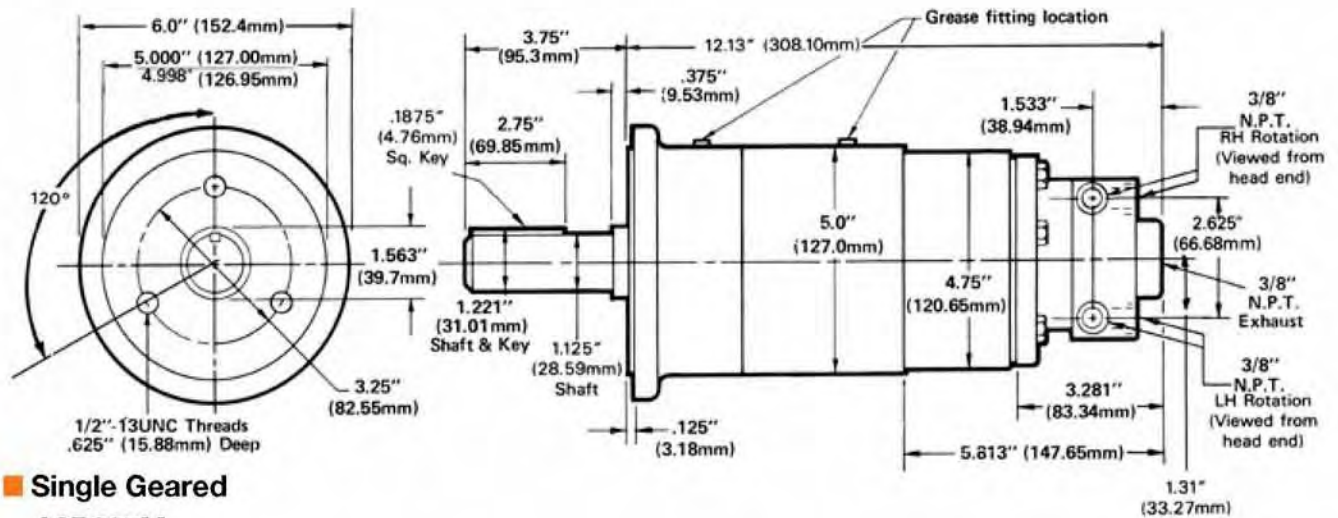
Pendent Control Kits – See page 51

Lubricating Oil – Part 533485 (1 gallon)

Motor and Gear Lube – Part A123771 (1 pound)

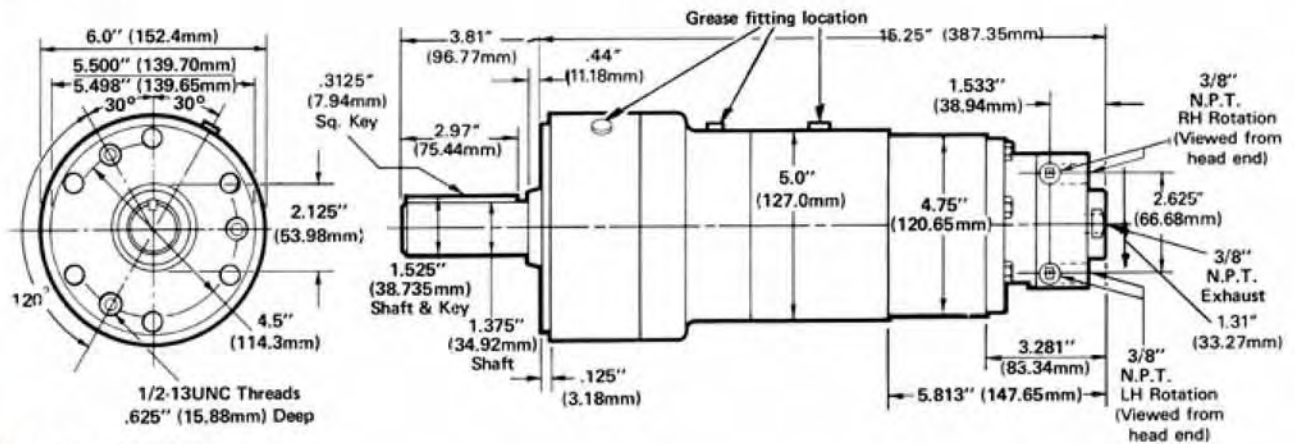
Additional Accessories: Pages 64-65

A6 Series Dimensional Data A6系列尺寸數據



Single Geared

A6R307M
A6R308M
A6R335M



Double Geared

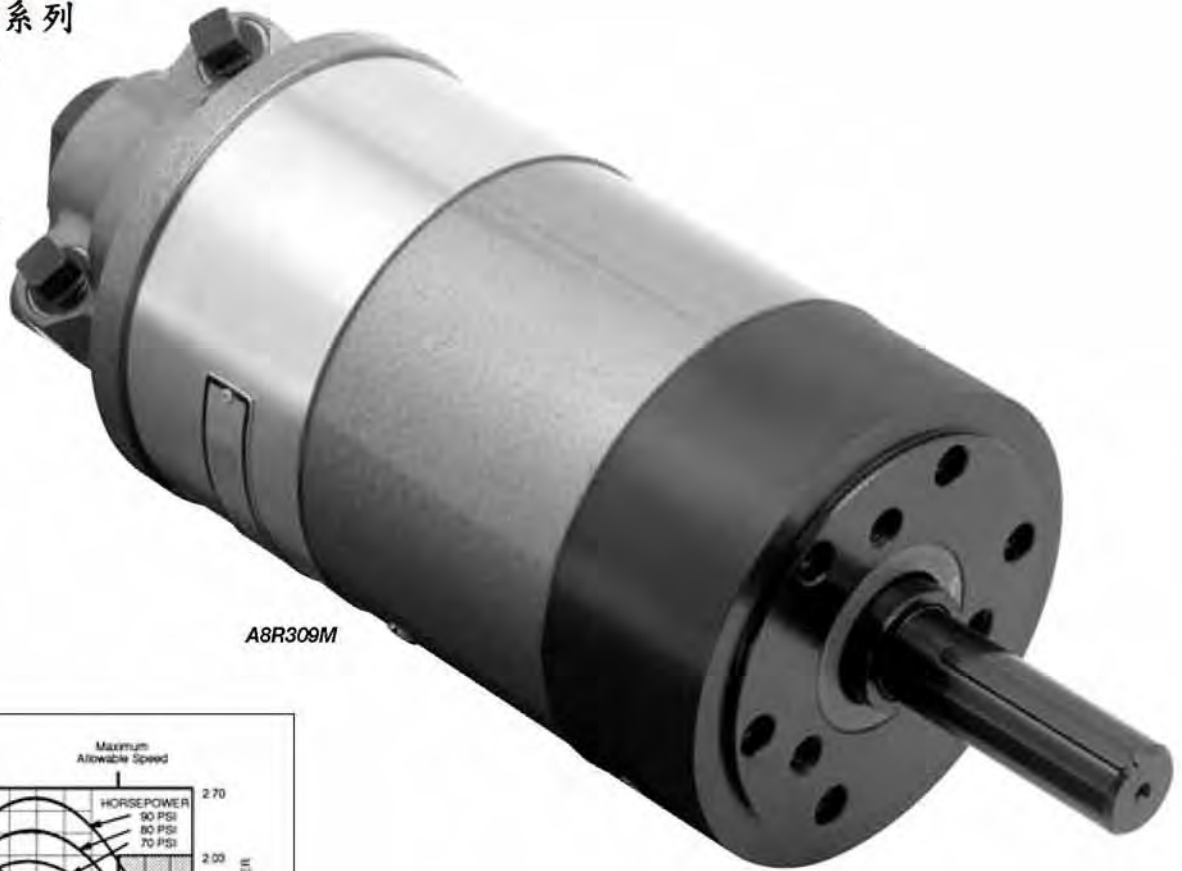
A6R331M
A6R332M

Axial Piston 軸向氣缸式氣動馬達

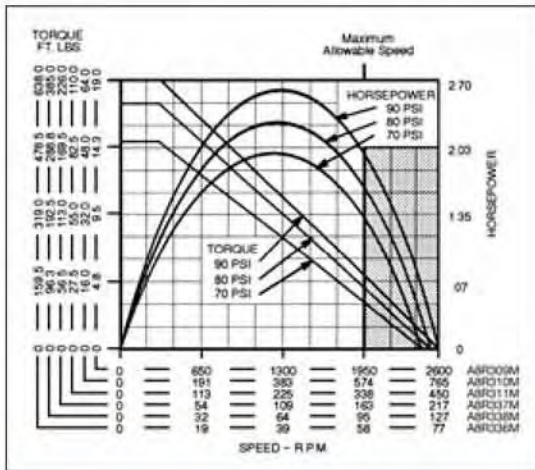
Cleco®

A8 Series A8系列

- Maximum Power
2.7 hp
2.01 kW
- Torque Range
19 – 638 ft. lbs.
26 – 865 Nm
- Reversible
- Rear Exhaust



A8R309M



Model Number	RPM**		Stall Torque		Starting Torque		Weight		Gear Ratio	Max. Overhung Load @ Stall*	
	at Max. hp	Free Speed	ft lbs.	Nm	ft lbs.	Nm	lbs.	kg		lbs.	kg

Face Mounting – 1 1/8" Diameter Keyed Spindle

A8R309M	1300	2600	19	26	14	19	38	17.2	—	1000	454
A8R310M	375	765	64	87	48	65	38	17.2	3.4:1	1000	454
A8R311M	225	450	110	149	82	111	38	17.2	5.8:1	1000	454
A8R337M	109	215	226	306	167	226	51	23.1	11.9:1	1000	454
A8R338M	64	125	385	522	285	386	51	23.1	20.3:1	1000	454
A8R336M	38	75	638	865	471	639	51	23.1	33.6:1	1000	454

* All models assume overhung load located at 2.25" (57.15mm) from face of motor.

**These motors must be operated with sufficient load to prevent speed from exceeding maximum allowable speed shown on performance curve.

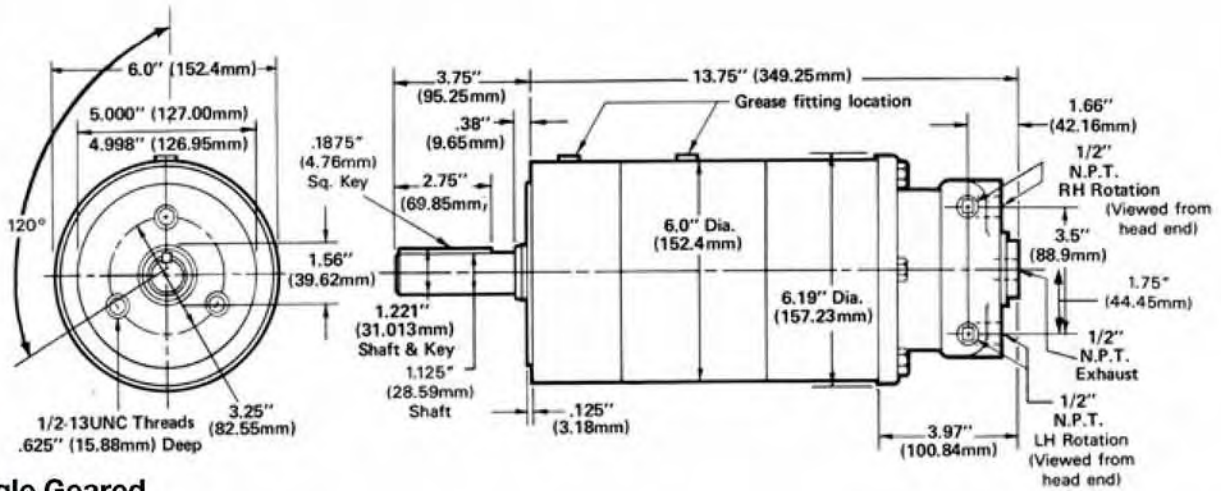
General:

Air Inlet: 1/2" NPTF
Air consumption: 83 cfm (3.18 m³/min)
All tools performance rated @ 90psi (620 kPa) air pressure.

Optional Equipment:

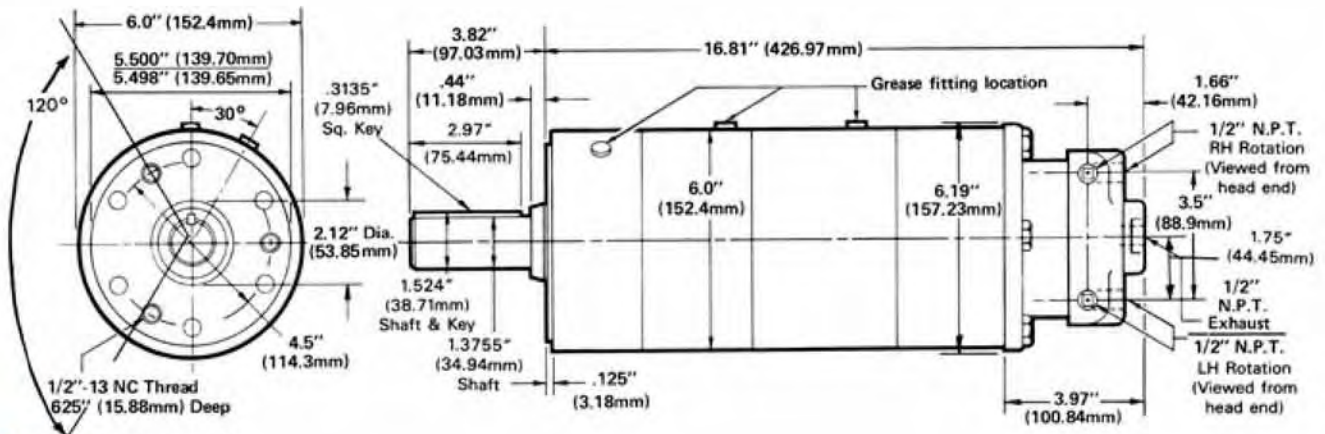
Exhaust Muffler – Part A19509
Pendent Control Kits – See page 51
Lubricating Oil – Part 533485 (1 gallon)
Motor and Gear Lube – Part A123771 (1 pound)
Additional Accessories: Pages 64-65

A8 Series Dimensional Data A8系列尺寸數據



Single Geared

- A8R309M
- A8R310M
- A8R311M



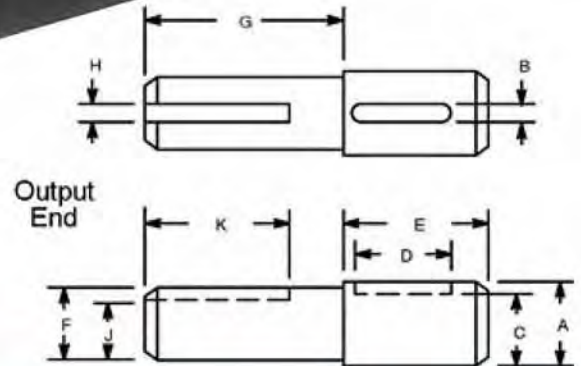
Double Geared

- A8R336M
- A8R337M
- A8R338M

Spindle Information for Axial Piston Motors 軸心氣缸馬達軸心資料

The axial piston air motors are equipped with standard spindles, *unless otherwise specified*. If a special spindle is required, the motor is shipped without a spindle; using the dimensions of the shank end of the spindle shown in the dimensional drawing, the customer can make a spindle to fit the requirements of the job.

If other than a standard spindle is required, specify shipment of motor *without spindle* – or provide detailed dimensional information of the spindle required.



Model Number	Std. Spindle	Dia. "A"	Key Width "B"	Key Depth "C"	Key Slot "D"	"E"	Dia. "F"	"G"	Key Width "H"	Key Depth "J"	Key Slot "K"
Single Geared											
A2R300M	18299				1.125" or 28.57mm	1.875" or 47.62mm	.8750"	2.75 or 69.88mm		.7715"	2.25 or 57.15mm
A2R301M							.8744"			.7665"	
A2R302M							or			or	
B4R321M							22.22mm			19.60mm	
B4R319M							22.21mm			19.47mm	
B4R318M	18319	29.43mm or 29.39mm	4.75mm or 4.80mm	26.83mm or 26.71mm	1.500" or 38.10mm	1.875" or 47.62mm	1.1255"	3.375" or 85.73mm	4.76mm	1.0188"	2.75" or 69.85mm
A6R308M							1.1245"		4.71mm	1.0238"	
A6R335M							or		Sq. Key	or	
A6R307M							28.59mm		25.88mm	26.00mm	
A8R309M							28.56mm				
A8R310M	29717	1.0008" 1.0002" or 25.42mm 25.41mm	.249" .251" or 6.32mm 6.38mm	.859" .849" or 21.82mm 21.56mm	1.125" or 28.57mm	1.875" or 47.62"	.8750"	2.75" or 69.85mm	.1875"	.771"	2.375" or 60.32mm
A2R304M							.8744"		.1855"	.761"	
A2R305M							or		or	or	
A2R306M							22.22mm		4.76mm	19.58mm	
B4R320M							22.21mm		4.71mm	19.33mm	
B4R323M	30053	36.57mm 36.56mm	9.50mm 9.55mm	31.12mm 30.86mm	38.10mm	50.80mm	1.3755"	3.375" or 85.73mm	.3125"	1.201"	3.125" or 79.38mm
B4R322M							1.3745"		.3135"	1.191"	
B4R317M							or		Sq. Key	or	
A6R332M							34.94mm		7.94mm	30.50mm	
A6R333M							34.91mm		7.96mm	30.25mm	
A6R331M	30053	36.57mm 36.56mm	9.50mm 9.55mm	31.12mm 30.86mm	38.10mm	50.80mm	1.3755"	3.375" or 85.73mm	.3125"	1.201"	3.125" or 79.38mm
A6R337M							1.3745"		.3135"	1.191"	
A8R337M							or		Sq. Key	or	
A8R338M	30053	36.57mm 36.56mm	9.50mm 9.55mm	31.12mm 30.86mm	38.10mm	50.80mm	34.94mm	85.73mm	7.94mm	30.50mm	79.38mm
A8R337M							34.91mm		7.96mm	30.25mm	