

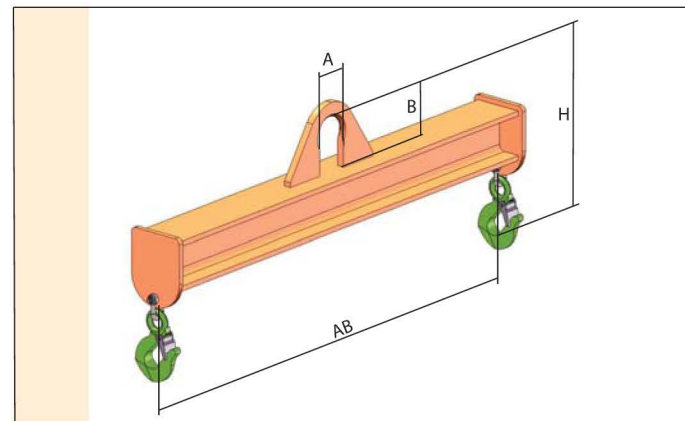


The balancer AGT equipped with a hydraulic moveable counterweight for dismantling concrete parts, which cannot be attached directly due to the roof overhang.

- Lifting beams made from light single section steel**  
 吊樑由輕型單一型鋼做成
- Special custom-made lifting beams for all applications**  
 特殊客製吊樑適合各種用途
- Construction according to DIN EN 13155 / BGR 500 2.8**  
 根據DIN EN13155/ BGR5002.8結構

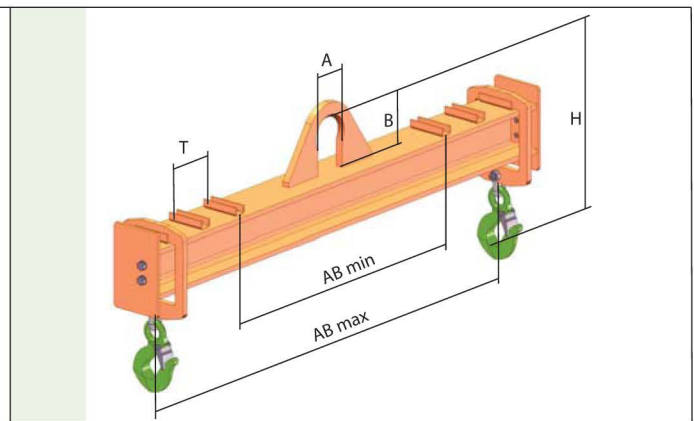
## Static Lifting Beams - TS

靜態吊裝樑 - TS



## Adjustable Lifting Beams - TV

可調節吊樑 - TV

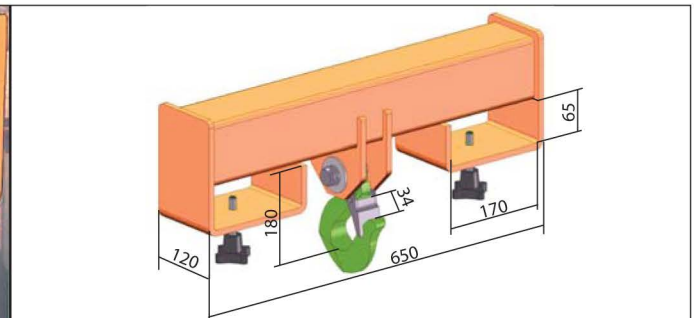
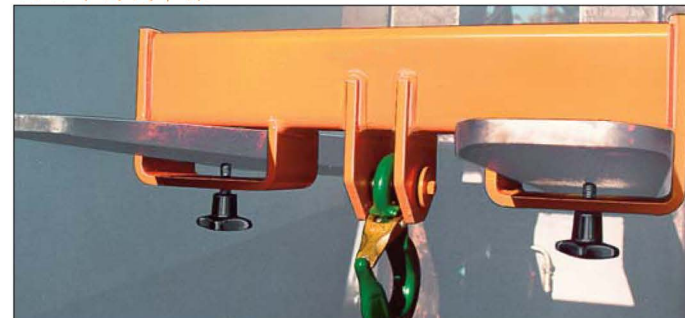


Order No.	Model	Safe Working Load kg	Working Width AB min/max mm	Sections T mm	Total Height H mm	Suspension Eye A x B mm	Weight kg
405 061	TS 1/2	1.000	2.000		340	70 x 110	40
405 071	TS 1/3	1.000	3.000		340	70 x 110	60
405 081	TS 1/5	1.000	5.000		380	70 x 110	140
405 101	TS 3/2	3.000	2.000		470	90 x 140	80
405 111	TS 3/3	3.000	3.000		470	90 x 140	140
405 121	TS 3/5	3.000	5.000		520	90 x 140	280
405 141	TS 5/2	5.000	2.000		520	90 x 140	105
405 151	TS 5/3	5.000	3.000		550	90 x 140	160
405 161	TS 5/5	5.000	5.000		580	90 x 140	380
405 065	TV 1/2	1.000	1.000 / 2.000	125	395	70 x 110	45
405 075	TV 1/3	1.000	1.000 / 3.000	125	395	70 x 110	65
405 085	TV 1/5	1.000	1.000 / 5.000	250	450	70 x 110	150
405 105	TV 3/2	3.000	1.000 / 2.000	125	520	90 x 140	100
405 115	TV 3/3	3.000	1.000 / 3.000	125	520	90 x 140	150
405 125	TV 3/5	3.000	1.000 / 5.000	250	550	90 x 140	310
405 145	TV 5/2	5.000	1.000 / 2.000	125	570	90 x 140	120
405 155	TV 5/3	5.000	1.000 / 3.000	125	590	90 x 140	200
405 165	TV 5/5	5.000	1.000 / 5.000	250	650	90 x 140	405

Alternative dimensions/safe working loads available on request.

## Lifting Beam for Fork Lifts

用於堆高機吊樑



Order No.	Model	Safe Working Load kg	Weight kg
405 550	STS-3,0-0,65	3.000	22

Alternative dimensions/safe working loads available on request.

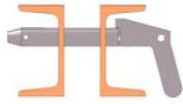


# Suspension

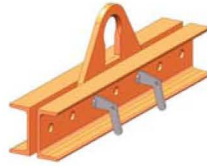
懸吊



2 leg chain sling  
2串鏈條索具



2 U-sections with bolts  
2 U型截面附螺栓



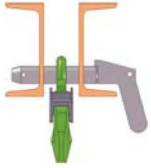
Adjustable suspension with 2 bolts  
可調整懸吊有2個螺栓



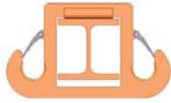
Adjustable suspension with rack jack  
可調整懸吊附有軌道式千斤頂

# Load Attachment

負載附接



2 U-sections with bolts  
2 U型鋼附螺栓



Double hook with safety catch  
雙鉤附有安全鎖扣



Weld-on hook with safety catch  
焊接式安全舌片鉤頭



Continuous chain with sliding hook  
連續的鏈條附有滑動鉤頭

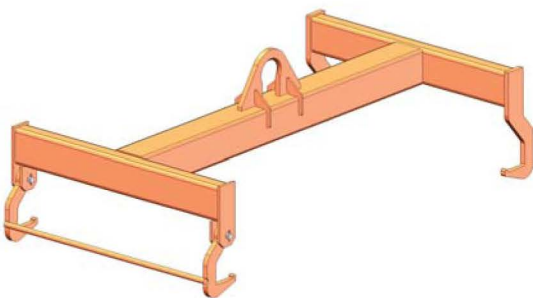
# Special Designs

特殊設計

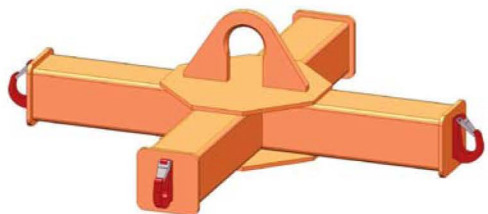


# Applications

應用



Lifting beam for wire mesh containers  
金屬絲網容器的吊樑

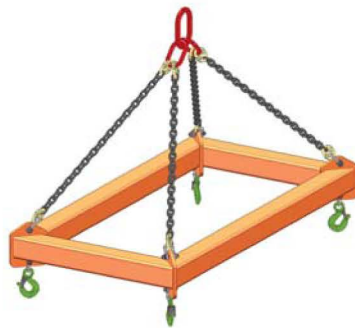


Cruciform lifting beam  
十字吊樑



Big bag lifting beam

大型袋吊標



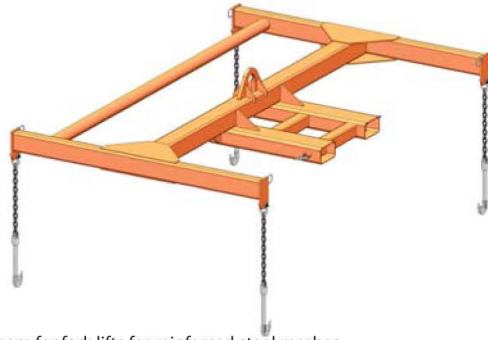
Rectangular 4 point frame lifting beam

矩形四點框架吊標



Custom-made lifting beam

客製化吊標



Lifting beam for fork lifts for reinforced steel meshes

加強鋼網用的適合堆高機吊標



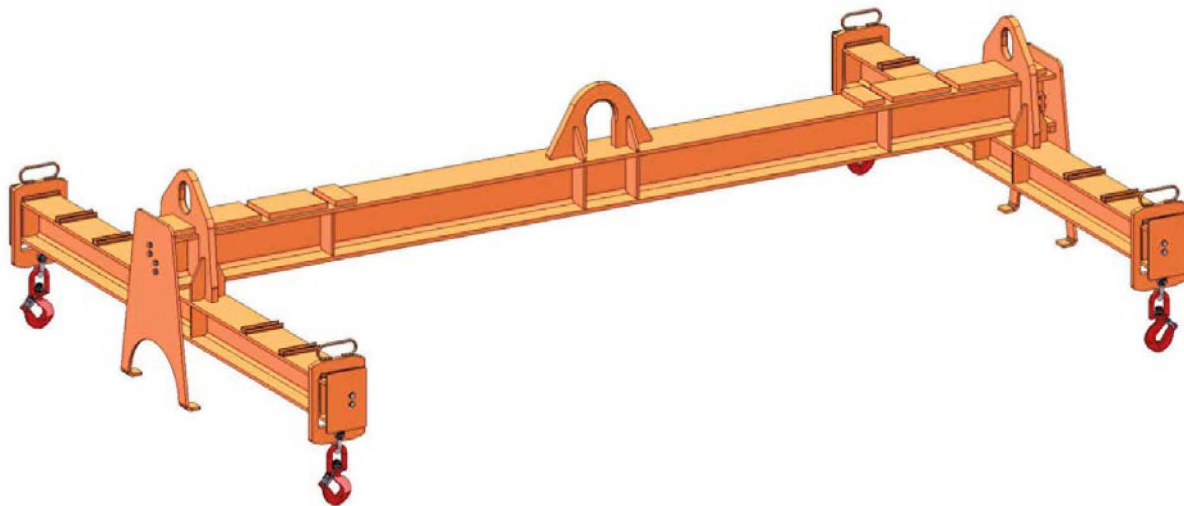
Lifting beam incorporating long hooks

吊標結合長鈎



Adjustable lifting beam

可調式吊標



Adjustable H-type lifting beam

可調式H型吊標