

# LSE特殊結構

## LSE SPECIAL CONSTRUCTIONS

HEAVY LOAD CROSSHEADS 重型橫樑旋轉設備  
TURNING EQUIPMENT



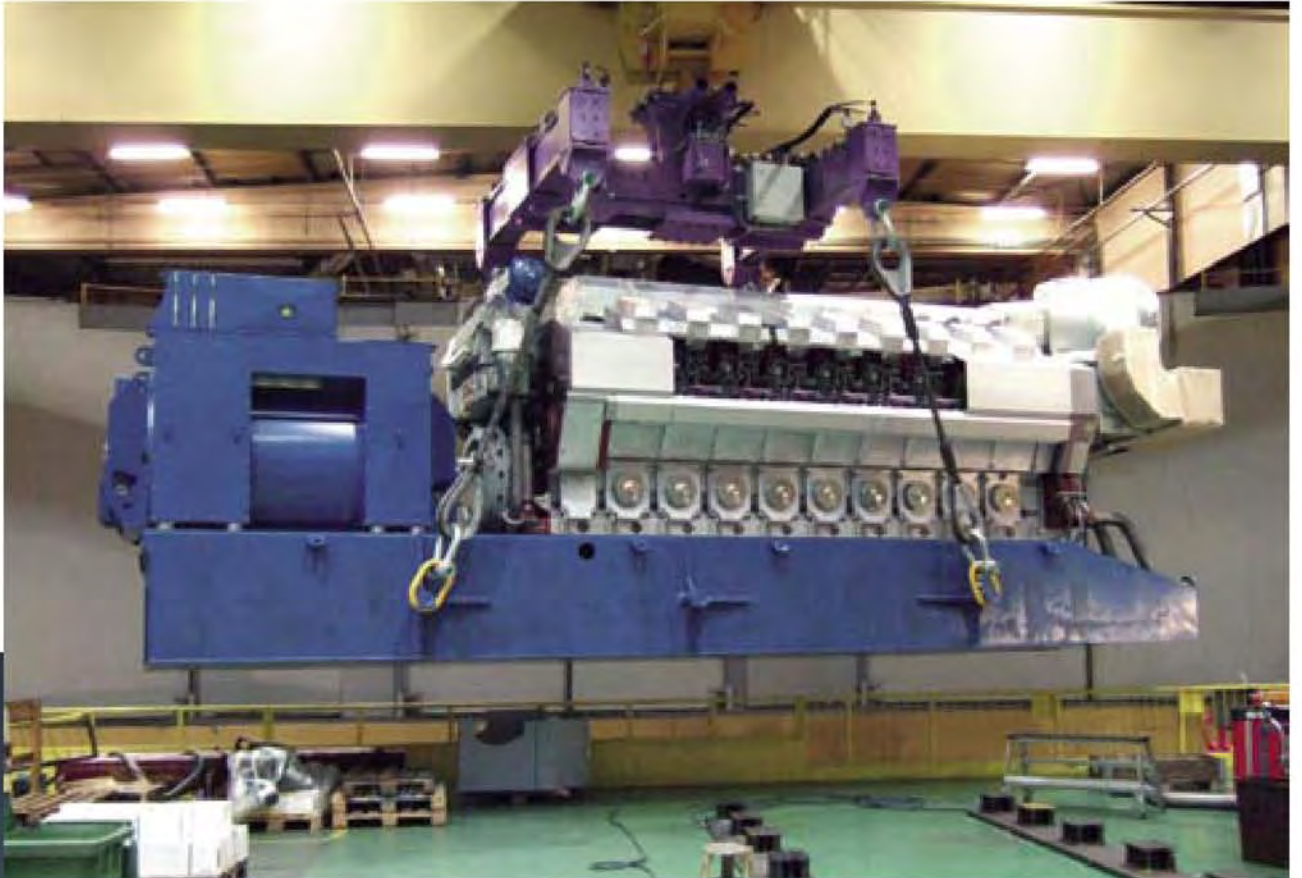
### Special constructions

The progressive automation in manufacturing requires multifunctional special solutions. A particular challenge is manipulating several levels and axles.

Individual solutions tailored to the processes guarantee lifting of the highest efficiency and speed in regular production processes.

The special constructions described on the following pages represent just a fraction of the possible individual solutions.

Your advantage: cross-industry know-how in advising, planning and manufacturing.



Heavy Load Crossheads 重型荷重橫樑

Turning Equipment 旋轉設備



LSE特殊結構

LSE SPECIAL CONSTRUCTIONS

TURNING EQUIPMENT 旋轉設備



Electrohydraulic turning equipment for 20 t static press tools



LSE特殊結構

LSE SPECIAL CONSTRUCTIONS

TURNING EQUIPMENT 旋轉設備



Electromotive turning equipment for assembly purposes

Electromotive beam turning equipment for rolled steel sections





# LSE吊樑

## LSE CROSSHEADS

FORKLIFTS 貨叉

C HOOKS C型鉤



### Crossheads, Forklifts and C Hooks –

Crossheads offer symmetrical load suspension in principle and, thus, better load distribution. The large range of requirements in the different industries requires a broad range of rigid, adjustable, frame, telescopic and long crossheads.

Lifting different materials also requires an extensive selection of forklifts and C hooks. Carl Stahl Nordgreif offers you a complete range of individual or series products.

The specially developed crossheads, forklifts and C hooks are designed precisely to the needs of the industry and guarantee smooth production processes.

Your advantage: industry-specific know-how in advising, planning and manufacturing.





## CROSSHEADS 吊樑

Long Hook Crossheads  
 TA/TAV/TB/TBV Stays  
 Rigid Crossheads  
 Adjustable Crossheads  
 Boom Crossheads  
 Forklift Crossheads  
 Special Crossheads  
 Long Crossheads  
 Rotating Crossheads  
 Telescopic Crossheads  
 H Crossheads / 4-Pt. Crossheads  
 Tambur Crossheads  
 Turning Crossheads

## FORKLIFTS 貨叉

Manual  
 Automatic  
 Stand Lifts  
 Board lifts

## C HOOKS C型鉤

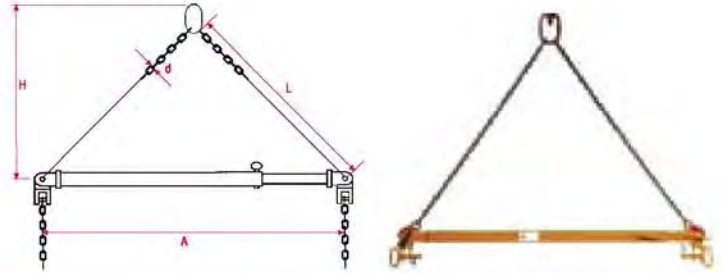
Counterweights  
 Coil Tilting Hooks  
 Chain Suspensions  
 Spring Balances



## TA/TAV/TB/TBV Stays, rigid and adjustable

Type TA: Spreader, fixed with rocker for passage of chain. Special model in adjustable version.

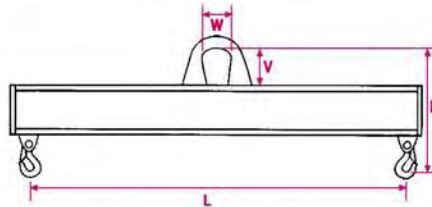
Type TB: Spreader, adjustable with slider; for descending chain mobile on all sides. Available also in fixed version.



Load capacity (kg) 90° Head angle	Chain gauged (mm)	Dimensions (mm)		Type/Part No. with slider		Type/Part No. with rocker	
		Fixed version A	Adjustable version A min - A max	fixed	adjustable	fixed	adjustable
1400	6	1000	1000 - 1500	7TA06	7TAV06	7TB06	7TBV06
2800	8	1000 - 1500	1200 - 2000	7TA08	7TAV08	7TB08	7TBV08
4500	10	1000 - 1500	1200 - 2000	7TA10	7TAV10	7TB10	7TBV10
7100	13	1000 - 1500	1200 - 2000	7TA13	7TAV13	7TB13	7TBV13
11200	16	1250 - 2500	1900 - 2500	7TA16	7TAV16	7TB16	7TBV16

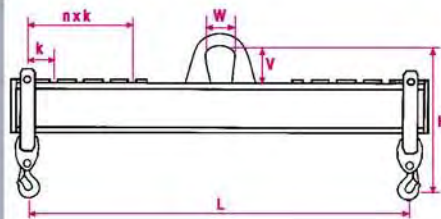
## T20/T21 crossheads, rigid and adjustable

Rigid crosshead type T 20: crosshead with rotatable security eye hooks. This crosshead is a robust load construction. Grading and calculation are effected in accordance with DIN 15018.



The welded steel construction is exclusively made using inspected welds. The adjacent table shows our standard range.

Adjustable crosshead Type T 21: Designed with two adjustable stays and security eye hooks. Crosshead attachment for single hooks. Further load capacities and sizes on request.



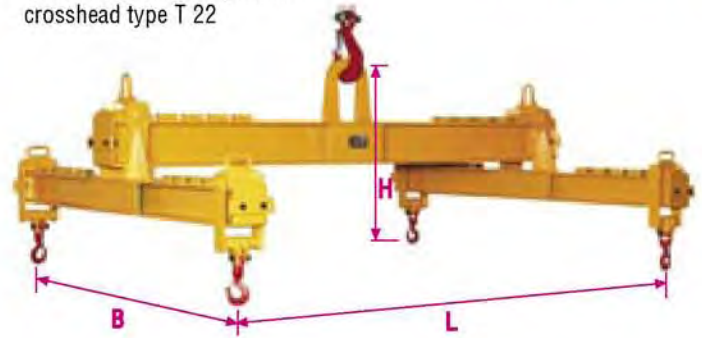
Load capacity (kg)	Dimensions approx. (mm)							Weight approx. (kg)		Type Part No.	Type Part No.
	L fixed	L adjustable	n x k	H fixed	H adjustable	V	W	fixed	adjustable	fixed	adjustable
1000	1000	1000 - 500	2 x 125	380	400	120	55	20	25	7T20.010.001	7T21.010.001
1000	2000	2000 - 1000	4 x 125	380	400	120	55	30	38	7T20.010.002	7T21.010.002
1000	3000	3000 - 1000	4 x 250	400	420	120	55	50	60	7T20.010.003	7T21.010.003
1000	5000	5000 - 1000	8 x 250	400	450	120	55	120	150	7T20.010.005	7T21.010.005
1600	1000	1000 - 500	2 x 125	400	420	130	60	25	30	7T20.016.001	7T21.016.001
1600	2000	2000 - 1000	4 x 125	400	420	130	60	40	50	7T20.016.002	7T21.016.002
1600	3000	3000 - 1000	4 x 250	430	450	130	60	60	75	7T20.016.003	7T21.016.003
1600	5000	5000 - 1000	8 x 250	450	500	130	60	200	230	7T20.016.005	7T21.016.005
2500	2000	2000 - 1000	4 x 125	510	610	150	75	63	75	7T20.025.002	7T21.025.002
2500	3000	3000 - 1000	4 x 250	510	610	150	75	90	110	7T20.025.003	7T21.025.003
2500	5000	5000 - 1000	8 x 250	580	680	150	75	210	230	7T20.025.005	7T21.025.005
2500	6300	6300 - 1300	10 x 250	600	700	150	75	250	280	7T20.025.006	7T21.025.006
5000	2000	2000 - 1000	4 x 125	630	730	190	90	75	100	7T20.050.002	7T21.050.002
5000	3000	3000 - 1000	4 x 250	680	780	190	90	135	160	7T20.050.003	7T21.050.003
5000	5000	5000 - 1000	8 x 250	760	860	190	190	325	360	7T20.050.005	7T21.050.005
5000	8000	8000 - 2000	6 x 500	660	750	190	190	800	850	7T20.050.008	7T21.050.008
6300	3000	3000 - 1000	4 x 250	700	800	210	95	180	220	7T20.063.003	7T21.063.003
6300	4000	4000 - 1000	6 x 250	730	890	210	95	230	260	7T20.063.004	7T21.063.004
6300	5000	5000 - 1500	7 x 250	800	900	210	95	420	470	7T20.063.005	7T21.063.005
6300	6300	6300 - 1300	10 x 250	820	920	210	95	500	560	7T20.063.006	7T21.063.006
10000	3000	3000 - 1000	4 x 250	890	1000	250	120	220	280	7T20.100.003	7T21.100.003
10000	5000	5000 - 1000	4 x 500	820	950	250	120	580	650	7T20.100.005	7T21.100.005
10000	8000	8000 - 2000	6 x 500	800	920	250	120	1200	1350	7T20.100.008	7T21.100.008
10000	10000	10000 - 3000	7 x 500	850	980	250	120	1800	1950	7T20.100.010	7T21.100.010
16000	3000	3000 - 1000	4 x 250	920	1080	300	135	400	500	7T20.160.003	7T21.160.003
16000	5000	5000 - 1000	8 x 250	950	1100	300	135	600	720	7T20.160.005	7T21.160.005
16000	8000	8000 - 2000	6 x 500	1050	1200	300	135	800	950	7T20.160.008	7T21.160.008
16000	10000	10000 - 3000	7 x 500	1150	1300	300	135	2400	2650	7T20.160.010	7T21.160.010



## T22 boom crosshead adjustable

Boom crossheads adjustable crosshead type T 22

Load capacity (kg)	Dimensions approx. (mm)			Weight approx.(kg)	Type Part No.
	Length max	Width max.	H		
1000	2000 - 1000	1000 - 500	600	90	7T22.010.021
2500	2000 - 1000	1000 - 500	640	140	7T22.025.021
2500	3000 - 1000	2000 - 1000	710	230	7T22.025.032
5000	3000 - 1000	2000 - 1000	860	340	7T22.050.032
5000	4000 - 1000	2000 - 1000	880	450	7T22.050.042
5000	5000 - 1500	2500 - 1000	900	600	7T22.050.052
7500	5000 - 1500	2500 - 1000	1100	680	7T22.075.052
7500	6000 - 2000	3000 - 1000	1150	980	7T22.075.063
10000	4000 - 1000	2500 - 1000	1200	775	7T22.100.042
10000	6000 - 2000	3000 - 1000	1250	1150	7T22.100.063
15000	6000 - 2000	3000 - 1000	1450	1400	7T22.150.063



## T23 crossheads for skeleton containers

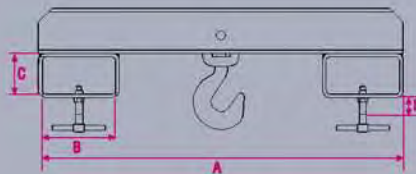
Rigid crossheads with four drum hooks. Designed with a mobile and a rigid hook pair.

Load capacity (kg)	Dimensions approx. (mm)					Weight kg	Type Part No.
	B	H	I	L	V		
1000	600	360	150	1200	120	40	7T23.10.108
1500	600	380	160	1200	120	45	7T23.15.108
3000	600	450	160	1200	150	65	7T23.30.108



## T24 Forklift lifting beams

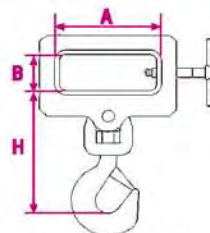
Double attachment lifting beam with rotating hook for forklifts. Rigid design with low clearance. Dimensions A, B and C can also be manufactured to your specifications.



Load capacity (kg)	Dimensions approx. (mm)				Weight approx.(kg)	Type Part No.
	A	B	C	H		
1000	500	120	60	140	10	7T24.010
1500	500	140	60	160	15	7T24.015
2000	600	160	80	200	20	7T24.020
3000	600	200	100	200	30	7T24.030

## T25 Forklift shoes

Single attachment shoe with rotating hook for forklifts. Dimensions A and B are variable.



Load capacity (kg)	Dimensions approx. (mm)			Weight approx.(kg)	Type Part No.
	A	B	H		
1000	120	50	160	5	7T25.010
1500	140	60	180	6	7T25.015
2000	160	60	200	8	7T25.020
3000	180	80	220	10	7T25.030



# LSE吊樑

## LSE CROSSHEADS

### SPECIAL CROSSHEADS 特殊吊樑



Adjustable load crossheads with two-sided balance compensator



Rope compensation crossheads with variable attachment head



Weight-optimised long crossheads



Load crossheads with lateral welded-on hooks



Adjustable crossheads with rotating hook attachment



Special crossheads with concrete lifting pins



Electromotive rotating crossheads for 2-crane operation





# LSE吊樑

## LSE CROSSHEADS

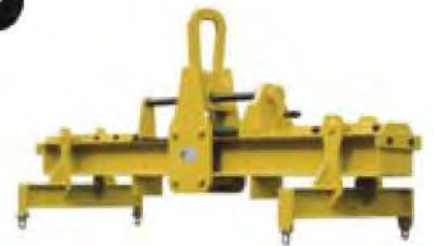
### SPECIAL CROSSHEADS 特殊吊樑



Electromotive turning crosshead with grid adjustment



Electromotive horizontal slewing gear



Crossheads with special attachments



Balance crosshead with integrated electro chain gear to shorten the suspension chain



Concrete sleeper grab for 30 sleepers of different lengths



Electromotive tambur crosshead



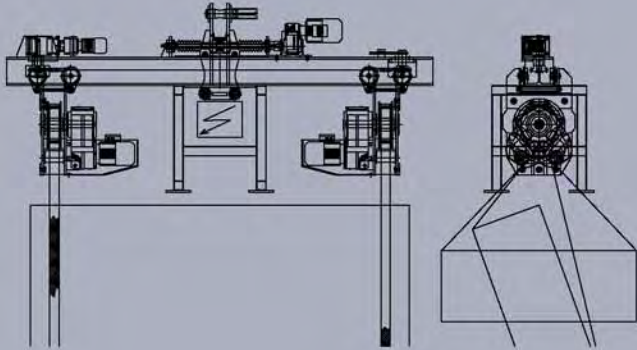
# LSE吊樑

## LSE CROSSHEADS

### ELECTROMOTIVE 電動翻轉吊樑 TURNING CROSSHEADS



Electromotive turning crosshead with adjustable grid



Turning crosshead as ancillary equipment - direct current supplied to the starter battery



Turning crosshead with chain adjustment



Turning crosshead with worm gear pair drive



Electromotive turning crosshead