

# 無線釋放鉤頭 Radio Releasing Hook

型號 RR-R - 無線控制釋放單元

Model RR-R - Radio Controlled Release Unit

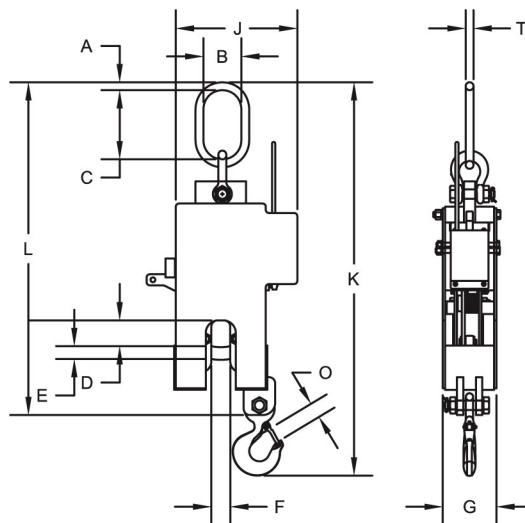


2-1/2 Ton Unit Shown

## 產品特性

### PRODUCT FEATURES:

- Allows rigging to be released from a safe distance with the push of a button.
- Designed for rugged outdoor use.
- Easy to use - simply rig, lift, set and release.
- LOCK & CAPTURE feature engages with very little load weight (see Minimum Load in chart below).
- Includes two 12 VDC 0.8 Amp Hr. sealed maintenance free lead acid batteries (rechargeable).
- Includes one charger, and one vehicle adapter for standard 12 VDC vehicle outlets.
- Battery life lasts through an 8 hour shift, depending on frequency of operation.
- Minimum required cycle time is 1 - 2 minutes between releases.
- Oversized bail for easy mounting on crane hook, 5 ton unit provided with fixed bail.
- Designed and manufactured to ASME standards.



Patent No. 7,380,849

## 規格-無線釋放鉤頭

### SPECIFICATIONS - Radio Release

Model Number	Rated Cap. (tons)	Dimensions (inches)								Bail Dimensions (inches)				Weight (lbs.)
		D	E	F	G	J	K	L	O	A	B	C	T	
RR-2.5R	2.5	1.75	1.00	1.50	4.25	9.56	31.15	26.88	1.09	0.63	3.00	6.00	0.63	50
RR-5R	5	1.83	1.50	1.50	5.00	11.13	36.40	30.75	1.36	2.00	4.00	7.00	1.25	115

NOTE: For larger capacities see page E.21.

## 規格 SPECIFICATIONS

Model Number	Rated Capacity (tons)	Rigging				
		*Minimum Load (lbs.)		Recommended Lifting Slings	**Maximum Allowable Rigging Weight (lbs.)	
		Basket	Choker	Rope Dia. (inches)	Basket	Choker
RR-2.5R	2.5	80	40	5/8	28	14
RR-5R	5	250	125	7/8	60	30



\*If minimum load weight is not met, safety mechanism will not engage into the LOCK & CAPTURE position.

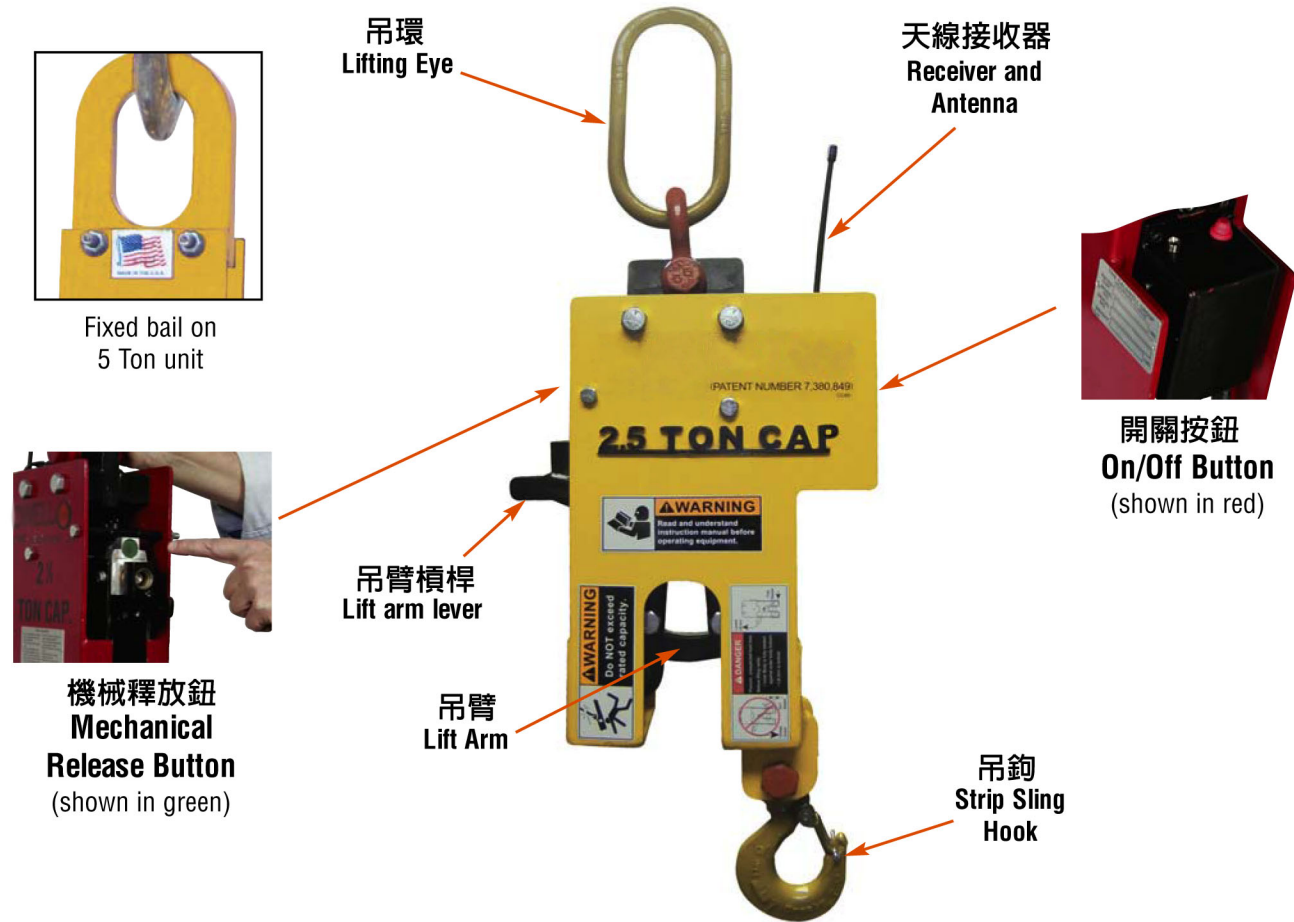
\*\*If maximum allowable rigging weight is exceeded, unit will remain in the LOCK & CAPTURE position and can not be released.

# 無線釋放鉤頭 Radio Releasing Hook

The Remote Releasing Hook with Radio Remote Control will allow you to set the loads - and then - quickly, efficiently and safely release the sling from a safe distance. The Radio Remote feature puts the sling control at your finger tips. The simply hooks to your crane or spreader beam. Attach the lifting sling(s) directly to the and rig the load. Once the load is set, and the load line is slack, activate the Radio Remote Control to release the sling(s). No need for a man lift on site or to have a worker crawl out (or up) just to disconnect sling(s). It's all done from a safe distance, with the control at the tip of your fingers.

## 安全特性 SAFETY FEATURES:

- Radio activated solenoid is mechanically blocked when the unit is under load, preventing load release.
- Two step, two button activation (release) sequence prevents inadvertent release signal.
- Transmitter times out in 10 seconds, which prevents inadvertent release of rigging.
- The built-in safety features of the Rig-Release® allow multiple hooks to be used on the same job site.
- Range up to 400 feet, with clear line of site.



## 無線遙控脫鉤標準設備配件 Radio Remote Hooks Come With These Accessories As Standard Equipment



車輛適配器  
Vehicle Adapter



2個充電電池  
Two Rechargeable  
Batteries



遙控器  
Transmitter  
(Radio Remote Control)



充電器  
Charger