

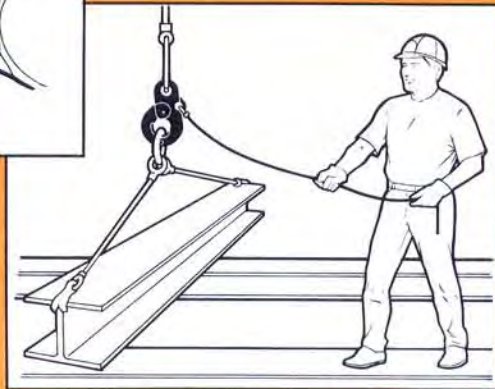
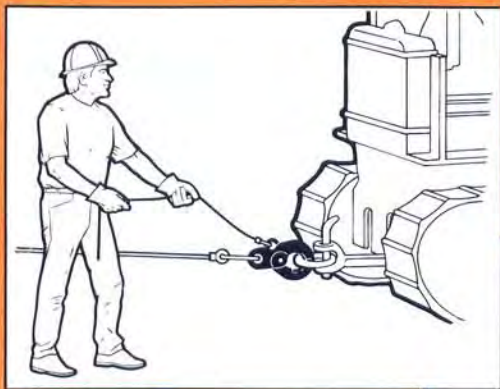
# Release-A-Matic H44 RAM HOOK

快速脫鉤  
自動釋放

A QUICK RELEASE HOOK THAT OFFERS  
THE UNIQUE FEATURES OF:

快速釋放鉤頭提供了下列獨特的特性：

- FAST DISCONNECT 快速的釋放
- REMOTE RELEASE OR DISENGAGEMENT 遙控釋放或分開
- PLACING LOADS WHERE ACCESS IS RESTRICTED  
當接近地方受限時，可放置荷重
- SAVING MANPOWER FROM DISCONNECTING LOADS  
節省不連接荷重所需人力



## 101 APPLICATIONS

### 101 使用方法

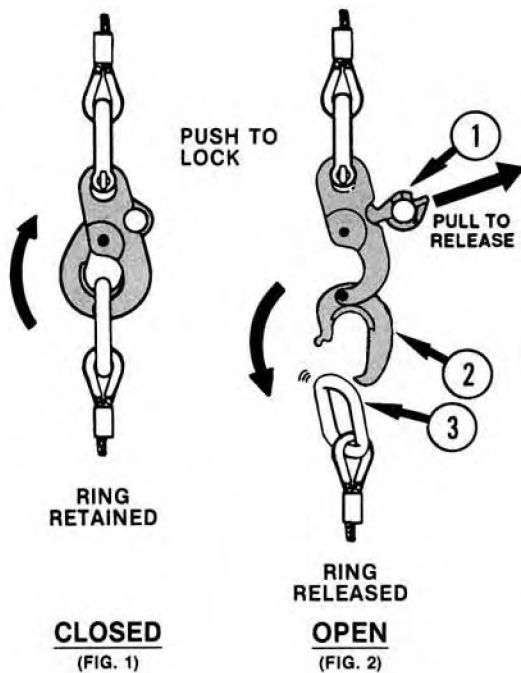
- DEPLOYMENT OF LIFEBOATS OR SURVIVAL CAPSULES
  - DETACHMENT OF CABLE ASSEMBLIES
  - DISENGAGEMENT OF LOAD BINDERS OR LASHING GEAR
  - HAULING OF FISHING NETS
  - PLACEMENT OF BUOY MARKERS
  - QUICK DISCONNECT OF EQUIPMENT
  - RELEASE OF TOW LINES
- 救生艇的散開，或生存用膠囊
  - 鋼索組合的分開
  - 荷重網綁器的分開或拉伸齒輪之分開
  - 拉起漁網
  - 放置漂浮記號
  - 設備的快速分開
  - 托線的釋放



# H44 RAM HOOK

# 快速脫鈎

## INSTRUCTIONS FOR OPERATION



1. TO CLOSE HOOK: USE A RECOMMENDED RING ③ ENGAGING THE SWING LINK ②, ROTATE THE SWING LINK TO A FULLY UPRIGHT POSITION. SNAP THE LATCH LOCK ① AGAINST THE HOOK BODY (SEE FIG. 1). TUG ON RING ③, TO CONFIRM PROPER ENGAGEMENT BEFORE APPLYING LOAD. (SEE FIG. 1).
2. TO OPEN HOOK: PULL ON LATCH LOCK ① SWING LINK ② WILL OPEN ALLOWING FITTINGS TO BE RELEASED. (SEE FIG. 2).
3. A LANYARD MUST BE ATTACHED TO THE LATCH LOCK ① FOR REMOTE RELEASE.

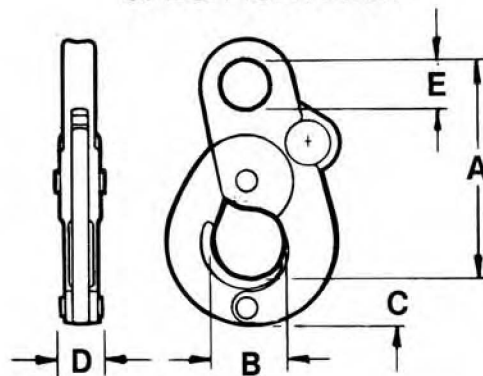
**NOTE:** ANYTIME RELEASING AN ATTACHED RING OR FITTING, PROPER SAFETY PRECAUTIONS MUST BE TAKEN.

### 操作說明：

- 1.把(1之鎖住舌片打開，環(2)將會旋轉打開允許荷重釋放。)
- 2.關閉鈎頭，把環(2)轉到全部直之的位置，並把舌片鎖住。  
(1)關上，在旋於荷重時確定在適當位置。
- 3.繩子可以附在鎖住舌片(1)作為遠距離的釋放。

註：任何在釋放荷重時，需小心碰究使用性和安全性。

## SPECIFICATIONS



MATERIAL 規格	P&H NO.	SAFE WORK LOAD (LBS.) 安全工作荷重	MIN. BREAK STRGTH. (LBS.) 最小破斷強度	WEIGHT LBS. 重量	PULL REQ'D. TO RELEASE LOAD-LBS. 釋放所需之拉力 LBS.				DIMENSIONS · INCHES 面積 尺寸				
					NO LOAD 荷重	PULL REQ'D. (APPROX.) 所需之拉力 (近似)	MAX. LOAD	PULL REQ'D. (APPROX.) 所需之拉力 (近似)	A	B	C	D	E
FORGED STEEL 鍛造合金鋼	H44-3	4,500	18,000	2.0	0	15	3,500	80	4.50	1.40	0.90	0.95	0.95
	H44-6	8,400	33,600	9.0	0	30	7,000	100	7.00	2.09	1.50	1.50	1.50
	H44-9	18,000	71,700	12.0	0	35	10,000	120	7.00	2.17	1.65	2.00	1.50
STAINLESS STEEL 不銹鋼	H44-3L	2,000	8,000	2.0	0	15	2,000	70	4.50	1.40	0.90	0.95	0.95

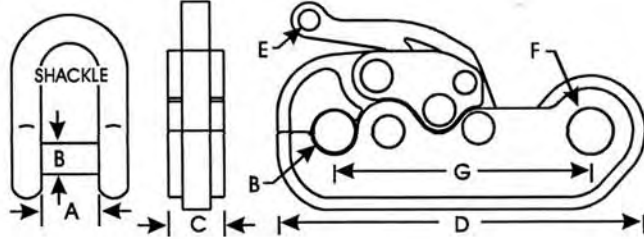
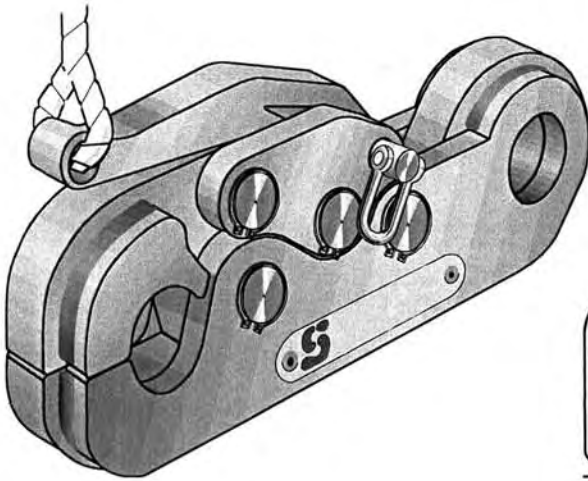
### PRECAUTIONS:

- DO NOT EXCEED THE SAFE WORKING LOAD LIMIT.
- DO NOT EXCEED THE MAXIMUM LOAD TO RELEASE LIMIT.

### 預防措施:

- 不要超出安全工作負擔極限
- 不要為了釋放極限而超出最大負荷量

# 快速脫鈎



Model	Shackle Size	A	B	C	D	E	F	G	S. W. Load	Break Load	Weight	
TR3	1/4	15/32 (11.90)	5/16 (7.93)	7/16 (11.11)	2-7/8 (73.02)	3/16 (4.76)	3/8 (9.52)	1-31/32 (50)	1,302 (.65)	6,510 (3.26)	.31 (.14)	
TR5	7/16	23/32 (18.25)	1/2 (12.70)	11/16 (17.46)	4-1/2 (114.3)	1/4 (6.35)	9/16 (14.28)	3-1/8 (79.37)	3,323 (1.66)	16,618 (8.31)	1.3 (.58)	
TR7	5/8	1-1/16 (26.98)	3/4 (19.05)	1 (25.40)	6-5/8 (168.27)	3/8 (9.52)	13/16 (20.63)	4-9/16 (115.88)	7,042 (3.52)	35,210 (17.61)	4 (1.81)	
TR8	3/4	1-1/4 (31.75)	7/8 (22.22)	1-1/8 (28.57)	7-11/16 (195.26)	7/16 (11.1)	15/16 (23.81)	5-17/32 (140.49)	9,574 (4.74)	47,869 (23.69)	6.3 (2.85)	
TR10	1	1-11/16 (42.86)	1-1/8 (28.57)	1-1/2 (38.10)	9-3/4 (247.65)	1/2 (12.7)	1-1/4 (31.75)	6-7/8 (174.62)	15,844 (7.92)	79,222 (39.61)	12.5 (5.67)	
TR11	1-3/8	2-1/4 (57.15)	1-1/2 (38.1)	2 (50.8)	13-5/32 (334.16)	3/4 (19.05)	1-5/8 (41.27)	9-5/32 (232.56)	28,168 (14)	140,840 (70.42)	32 (14.5)	
TR15	1-3/4	2-7/8 (73.02)	2 (50.8)	2-3/4 (69.85)	17-9/16 (446.07)	1 (25.4)	2-3/16 (55.54)	12-7/32 (310.33)	50,201 (25.1)	251,008 (125.5)	76 (34.4)	
TR16	2	3-1/4 (82.55)	2-1/4 (57.15)	3-1/8 (79.50)	19-3/4 (501.14)	1-1/8 (28.44)	2-1/2 (62.48)	13-3/4 (349.25)	63,378 (31.69)	316,890 (158.45)	108 (48.98)	
TR17	2-1/2	4-1/8 (104.90)	2-3/4 (69.85)	3-7/8 (98.55)	24-1/8 (612.90)	1-3/8 (34.79)	3 (76.45)	16-13/16 (426.97)	94,744 (47.37)	473,723 (236.86)	197 (89.35)	
TR18	3	5 (127)	3-1/4 (82.55)	4-3/4 (120.65)	30-13/16 (782.06)	1-3/4 (44.45)	3-7/8 (97.79)	21-7/16 (544.32)	154,236 (77.12)	771,183 (385.59)	360 (163.2)	
									Inches (mm)	Lbs (tons)	Lbs (tons)	Lbs (kg)

SWL (capacity) is a ratio of 5:1 to Breakload.

## General Features:

- Perpendicular or parallel release directions
- Hitch pin lock for device locking safety
- Computer generated parts precision-cut from aerospace grade stainless steel plate
- Low friction, low effort lanyard-style release for maximum user safety
- On Load / Off Load Releasing
- All parts 100% stainless steel
- No springs

## 一般特性:

- 垂直或平行方向釋放
- 急拉插梢鎖住為一鎖住安全設計
- 電腦生產零件.精密切削.太空級不鏽鋼板
- 低磨擦.低出力拉繩型釋放鈎頭
- 可作有負荷重和無荷重釋放
- 100%不鏽鋼
- 沒彈簧

