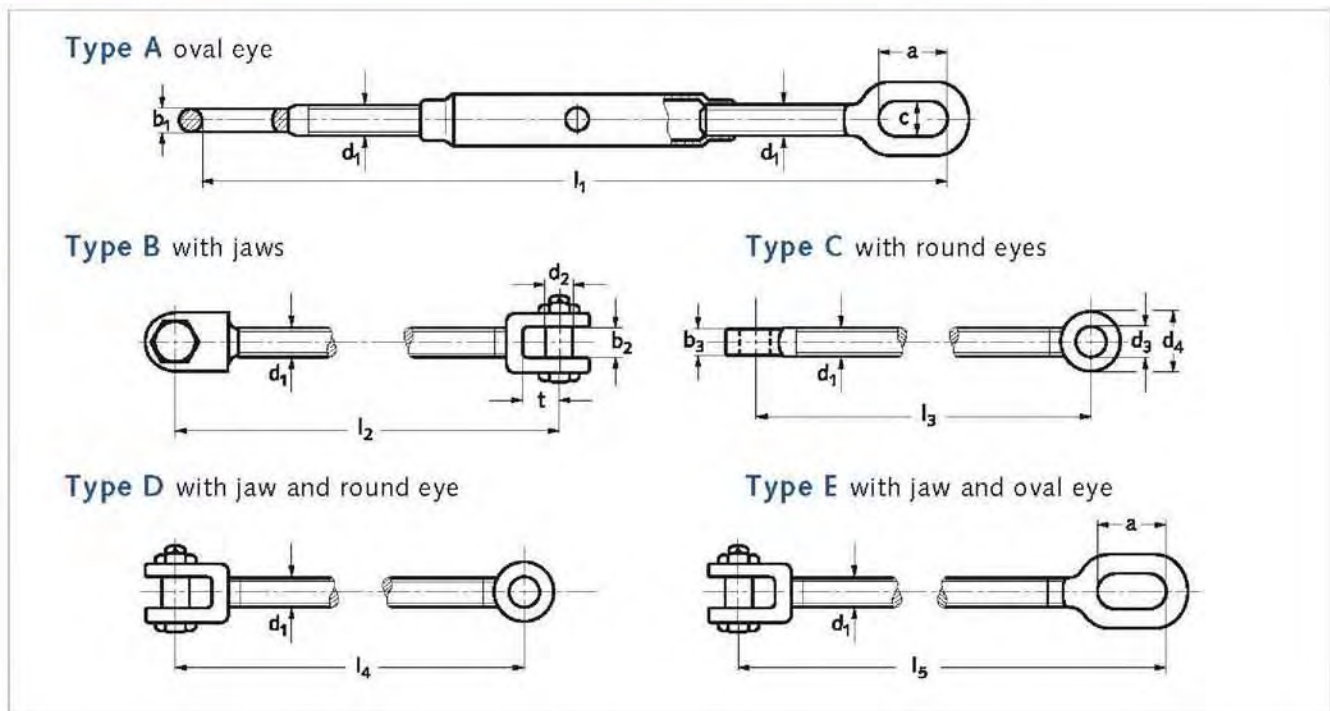


Rigging Screw 德規伸縮器



Rigging screws DIN 82004 吊掛伸縮器 DIN82004



no- nominal size	WLL kN *)	a	b ₁	b ₂	b ₃	c	right hand thread and left hand thread d ₁	d ₂	d ₃	d ₄	l ₁	l ₂	l ₃	l ₄	l ₅	t	adu- stable
0,4	4	29	8	12	10	13	M 12	10	11,5	22	415	379	365	372	397	15	140
0,6	6,3	48	12	16	12	21	M 16	12	14	28	494	420	408	414	457	18	150
1	10	48	12	19	16	21	M 18	16	18	35	529	471	449	460	500	23	165
1,6	16	58	16	23	20	26	M 22	20	23	45	591	521	495	508	556	28	175
2	20	58	16	26	22	26	M 24	22	25	50	625	563	535	546	594	31	190
2,5	25	72	21	29	25	32	M 27	24	27	55	699	607	577	592	653	34	205
3	31,5	72	21	32	28	32	M 30	27	30	60	732	648	614	631	690	36	215
4	40	94	26	35	30	40	M 33	30	33	65	822	692	656	674	757	39	230
5	50	94	26	39	35	40	M 36	36	39	75	854	746	698	722	800	46	240
6	63	108	29	45	40	45	M 42	39	42	85	953	823	773	798	888	51	260
8	80	115	32	49	45	49	M 45	45	48	95	1.049	917	859	888	983	56	295
10	100	125	36	58	50	54	M 52	48	52	110	1.138	998	936	967	1.068	63	315
12	125	144	41	64	55	60	M 56	52	56	120	1.259	1.091	1.019	1.055	1.175	70	345
16	160	163	46	70	60	66	M 64	60	65	130	1.372	1.170	1.096	1.133	1.271	75	365
20	200	173	51	74	65	72	M 72 x6	68	74	140	1.468	1.254	1.176	1.215	1.361	80	390
25	250	192	56	80	70	80	M 76 x6	72	78	150	1.590	1.346	1.260	1.303	1.468	87	420
32	315	216	60	90	80	90	M 80 x6	80	86	170	1.722	1.452	1.352	1.402	1.587	97	450

Measures in mm

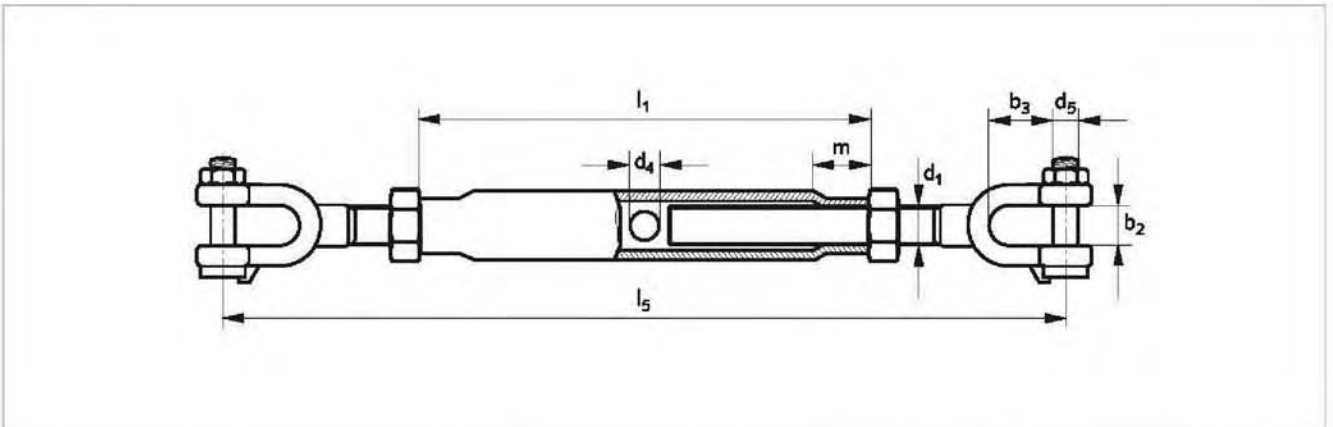
*) Conversion of the unities for strength and breaking forces similar to DIN 1301 – 1 kp

(Kilopond) = 9,80665 N (Newton); 1 kN (Kilonewton) = 1000 N; 1 kp/mm² = 9,80665 N/mm²

Rigging screws DIN 1478 吊掛伸縮器 DIN1478(開口對開口)

jaw - jaw

- Material: Drop forged, mild steel



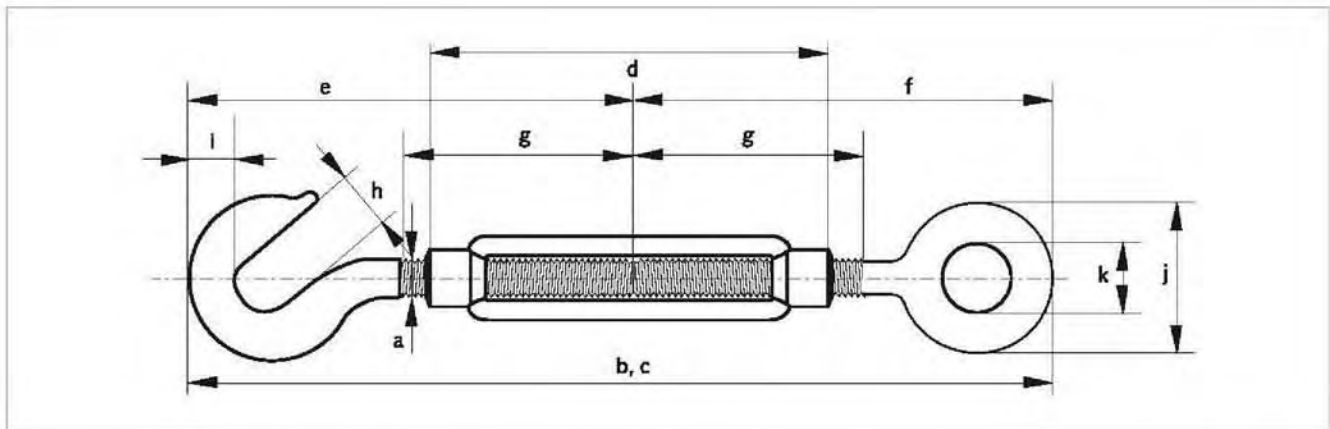
d_3	l_1	l_5	d_4	b_2	b_3	adjustable	nut x bolt d_3	weight per piece in kg / %
Hexagon bolt and nut similar (DIN 601) EN 24016								
M 8	110	205	8	8	15	85	M 6 x 35,0	26,00
M 10	125	250	8	10	21	90	M 8 x 40,0	45,00
M 12	125	300	10	14	19	90	M 10 x 45,0	66,00
Bolt and nut similar DIN 20633								
M 16	170	340	10	20	24	125	M 16 x 61,5	151,00
M 20	200	455	12	28	47	150	M 20 x 80,0	293,00
M 24	255	550	12	33	53	180	M 24 x 100,5	500,00
M 30	255	665	16	44	74	180	M 30 x 130,5	997,00

Measures in mm

Rigging screws eye – hook 吊掛伸縮器DIN1480(眼對鉤頭)

similar to DIN 1480

- Material: Drop forged, mild steel
- Finish: Electro-galvanized



dia thread	length closed position	length open position	length body	length	length	length	length thread	opening hook	thickness hook	dia eye outside	dia eye inside	weight per pc.
a mm	b mm	c mm	d mm	e mm	f mm	g mm	h mm	i mm	j mm	k mm	in kg	
6	172	258	110	77	80	55	8	15	20	9	0,11	
8	184	264	110	85	84	57	10,5	15	22	10	0,2	
10	222	311	125	106	105	68	13	11	31	14	0,28	
12	241	324	125	117	111	70	16	13	35	16	0,43	
14	261	351	140	124	122	75	18	15	40	18	0,61	
16	311	427	170	144	150	88	20	17	47	22	1	
20	358	490	200	170	167	105	21	21	52	24	1,6	
22	414	559	220	200	186	118	24	28	60	27	2,2	
24	453	630	255	215	205	135	26	33	65	27	2,8	
30	495	660	255	240	220	135	34	35	71	31	4,1	
33	545	744	295	260	245	148	38	40	88	36	6	
36	597	782	295	275	277	158	46	45	94	38	8,4	

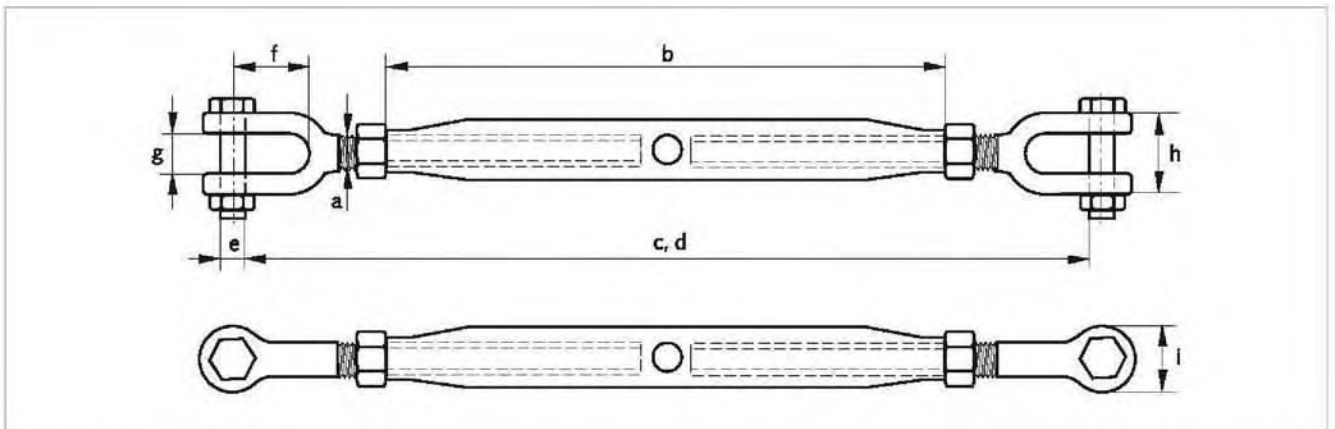
This Rigging screw is also available with hook – hook or eye - eye

Measures upon request!

密閉型本體吊掛伸縮器(開口對開口)

Closed body rigging screws jaw -jaw

- **Material:** Mild steel
- **Safety factor:** MBL equals 5 x WLL
- **Finish:** Hot dipped galvanized
- **Note:** End fittings of 6 and 8 mm rigging screws are electro-galvanized

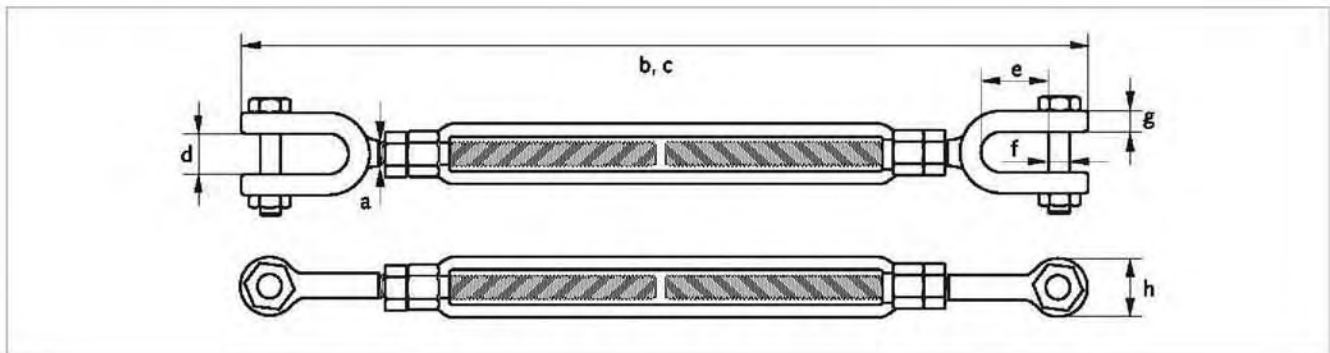


dia thread	length body	length closed position	length open position	dia pin	length inside	opening jaw	width jaw	dia jaw eye	WLL	weight per pc.
a mm	b mm	c mm	d mm	e mm	f mm	g mm	h mm	j mm	to	in kg
6	100	175	255	5	19	7	20	13	0,2	0,16
8	108	199	282	6	25	9	24	14	0,32	0,27
10	125	222	320	8	26	10,5	28	19	0,5	0,45
12	195	320	479	10	32	13	34	22	0,7	0,86
16	230	388	572	12	39	18	42	28	1,2	1,57
20	270	454	672	16	46	20	51	33	1,5	2,67
22	295	490	730	20	55	25	55	38	2,2	3,68
24	325	558	819	22	63	30	70	46	3,2	5,3
33	370	681	977	30	85	38	82	60	4,8	12
39	400	710	1.017	33	86	45	85	76	6	14,2
45	400	760	1.050	39	105	50	100	86	8,5	20,8
48	400	820	1.110	45	120	58	118	92	11	24

turnbuckles jaw – jaw 伸縮器(開口對開口)ASTM F1145-92

similar to ASTM F1145-92

- **Material:** Drop forged high tensile steel SAE 1035 or 1045
- **Safety factor:** MBL equals 5 x WLL
- **Standard:** Generally to ASTM F1145-92 formerly U.S. Federal Specification FF-T-791b
- **Finish:** Hot dipped galvanized
- **Certificates:** Upon request



dia thread	take up	length closed position	length open position	width inside jaw	length inside jaw	dia bolt	thickness jaw eye	dia jaw eye	WLL	weight per pc.
a Zoll	Zoll	b mm	c mm	d mm	e mm	f mm	g mm	h mm	to	in kg
3/8	6	302	416	13	22	8	8	21	0,54	0,37
1/2	8	338	452	16	26	9,5	10	25	1	0,73
1/2	9	414	585	16	26	9,5	10	25	1	0,79
1/2	12	490	719	16	26	9,5	10	25	1	0,96
5/8	6	394	508	18	33	13	13	33	1,59	1,37
5/8	9	470	641	18	33	13	13	33	1,59	1,31
5/8	12	546	775	18	33	13	13	33	1,59	1,53
3/4	6	432	546	23	38	15,5	16	41	2,36	1,86
3/4	9	508	679	23	38	15,5	16	41	2,36	2,31
3/4	12	584	813	23	38	15,5	16	41	2,36	2,56
3/4	18	737	1.080	23	38	15,5	16	41	2,36	3,11
7/8	12	625	854	27	44	19	18	48	3,27	3,71
7/8	18	778	1.121	27	44	19	18	48	3,27	4,14
1	6	524	638	30	52	22	20	54	4,54	4,29
1	12	676	905	30	52	22	20	54	4,54	5,07
1	18	829	1.172	30	52	22	20	54	4,54	6,62
1	24	980	1.437	30	52	22	20	54	4,54	7,85
1 1/4	12	760	989	44	73	29	25	67	6,9	9,48
1 1/4	18	912	1.255	44	73	29	25	67	6,9	11,6
1 1/4	24	1.064	1.521	44	73	29	25	67	6,9	13
1 1/2	12	823	1.052	52	70	35	27	80	9,71	13,6
1 1/2	18	975	1.318	52	70	35	27	80	9,71	14,3
1 1/2	24	1.128	1.585	52	70	35	27	80	9,71	18,4
1 3/4	18	1.060	1.403	59	85	41	33	90	12,7	25
1 3/4	24	1.213	1.670	59	85	41	33	90	12,7	28,7
2	24	1.315	1.772	64	93	51	39	108	16,78	45,4
2 1/2	24	1.486	1.943	75	114	57	38	143	27,22	73
2 3/4	24	1.562	2.019	89	110	70	42	156	34,02	98

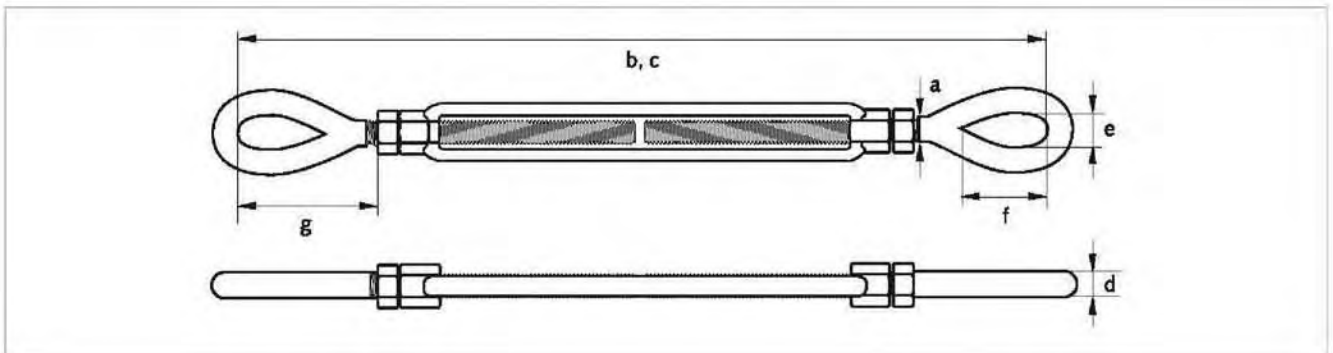
turnbuckles eye – eye 伸縮器(眼對眼)ASTM F1145-92

similar to ASTM F1145-92 ASTM F1145-92

- **Material:** Drop forged high tensile steel SAE 1035 or 1045
- **Safety factor:** MBL equals 5 x WLL
- **Standard:** Generally to ASTM F1145-92 formerly U.S. Federal Specification FF-T-791b

- **Finish:** Hot dipped galvanized
- **Certificates:** Upon request

Turnbuckle with hook upon request



dia thread	take up	length closed position	length open position	diameter	width inside eye	length inside eye	length	WLL	weight per pc.
a Zoll	Zoll	b mm	c mm	d mm	e mm	f mm	g mm	to	in kg
3/8	6	302	416	9	13	28	65	0,54	0,32
1/2	8	338	452	12	18	36	80	1	0,66
1/2	9	414	585	12	18	36	80	1	0,76
1/2	12	490	719	12	18	36	80	1	0,91
5/8	6	394	508	14	21	43	98	1,59	1,07
5/8	9	470	641	14	21	43	98	1,59	1,31
5/8	12	546	775	14	21	43	98	1,59	1,71
3/4	6	432	546	17	25	53	113	2,36	1,65
3/4	9	508	679	17	25	53	113	2,36	1,95
3/4	12	584	813	17	25	53	113	2,36	2,30
3/4	18	737	1.080	17	25	53	113	2,36	2,85
7/8	12	625	854	20	31	59	118	3,27	3,33
7/8	18	778	1.121	20	31	59	118	3,27	4,24
1	6	524	638	22	36	74	155	4,54	3,87
1	12	676	905	22	36	74	155	4,54	5,09
1	18	829	1.172	22	36	74	155	4,54	6
1	24	980	1.437	22	36	74	155	4,54	7,52
1 1/4	12	760	989	29	45	88	197	6,9	8,12
1 1/4	18	912	1.255	29	45	88	197	6,9	10,4
1 1/4	24	1.064	1.521	29	45	88	197	6,9	12,1
1 1/2	12	823	1.052	32	54	105	215	9,71	12,7
1 1/2	18	975	1.318	32	54	105	215	9,71	15,1
1 1/2	24	1.128	1.585	32	54	105	215	9,71	17,1
1 3/4	18	1.060	1.403	38	60	119	254	12,7	23,1
1 3/4	24	1.213	1.670	38	60	119	254	12,7	26,3
2	24	1.315	1.772	45	69	146	308	16,78	40,7
2 1/2	24	1.486	1.943	51	79	165	344	27,22	64
2 3/4	24	1.562	2.019	57	83	178	381	34,02	88