

手持金屬探測器

MD-173C

Hand-Held Metal Detectors

...Only from Eriez.

Metalarm Model HH-10 METALARM型號HH-10

Pinpoint tiny metal particles in all types of thin and shallow products.

Eriez' Metalarm Model HH-10 Hand-Held Metal Detector is designed to locate the exact position of small pieces of unwanted tramp metal. The detector activates audio and visual alarms whenever metal is present.

This durable, lightweight and sensitive device can be used in a variety of industries that currently employ an existing in-line metal detector. The HH-10 should be used after a detection has occurred and the product flow has stopped.

For example, when used in the aggregate industry for troughing idler conveyors, the HH-10 will scan shallow burdens, detect tramp metal, and allow for quick recovery. This will greatly reduce costly downtime of conveyors and production equipment.

The HH-10 is also ideal for use in companies that manufacture thin webbed products such as textiles, garment, particle board, and pulp and paper products. This highly sensitive instrument will detect minute pieces of metal as small as 1mm, protecting consumers and downstream equipment.

No batteries required! The *plug-in-and-go* design ensures consistent voltages, which optimizes sensitivities search after search—unlike battery-operated units which lose sensitivity.

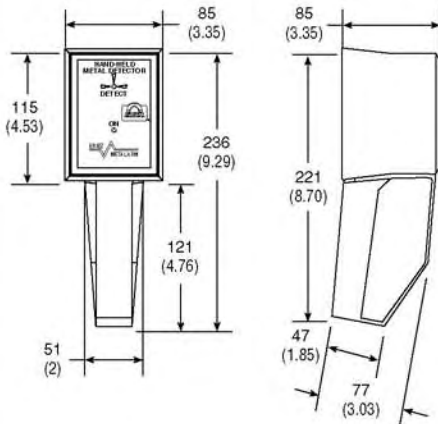


FEATURES 特性

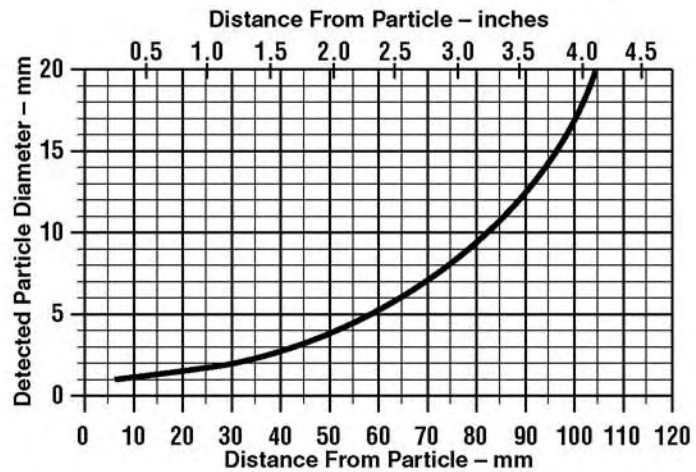
- Electronics pre-set at the factory
- LED *Power On* and *Detect* indicators
- Lightweight
- Easy to handle and operate
- Rugged yellow polyamide housing
- Audio alarm
- Flexible 10-foot (3m) power cord

SPECIFICATIONS 規格

- Weight 1.6 lbs. (720 grams)
- Overall housing dimensions:
9.3" x 4.33" x 3.35"
(236mm x 110mm x 85mm)
- Either 110 or 230 volts,
50 or 60 Hz
- Detects .039" (1mm) ferrous and
nonferrous at a distance of 0.3" (8mm)
and .078" (2mm) ferrous and
nonferrous at a distance of 1.1" (28mm)



Sensitivity 敏感度



Dimensions and specifications are subject to change without notice.

