

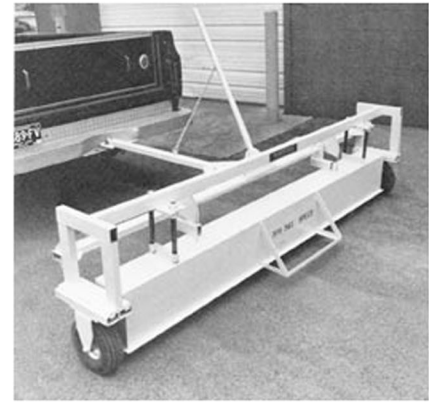
道路磁掃把 Magnetic Road Sweepers

重型道路磁掃把

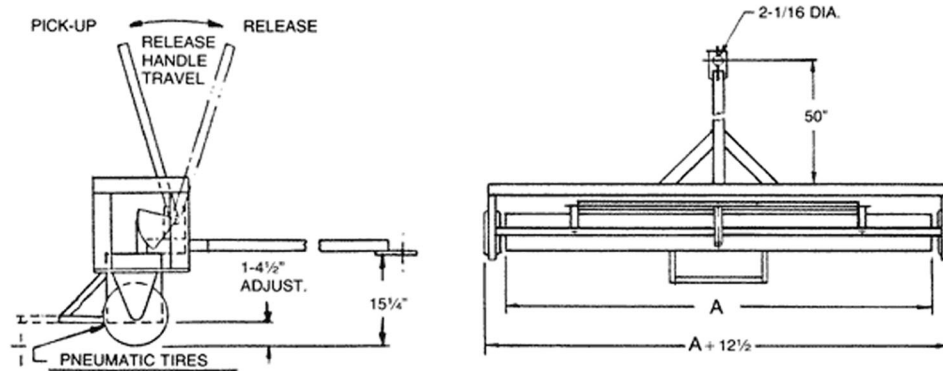
Heavy Duty Road Sweepers

重型道路磁掃把包含永不消磁的永久磁鐵。使用在掃除大範圍區域並可裝在卡車、堆高機、汽車上。最大掃除速度5-10MPH。清掃後的金屬雜質是操作手動握把來清除。

The Heavy Duty Road Sweepers contain permanent magnets that will not lose their magnetism. They are used to sweep large areas and can be attached to trucks, fork lifts, automobiles, etc. Maximum sweeping speed is from 5 to 10 MPH. Discharge of tramp metal is accomplished by the hand operating release handle.

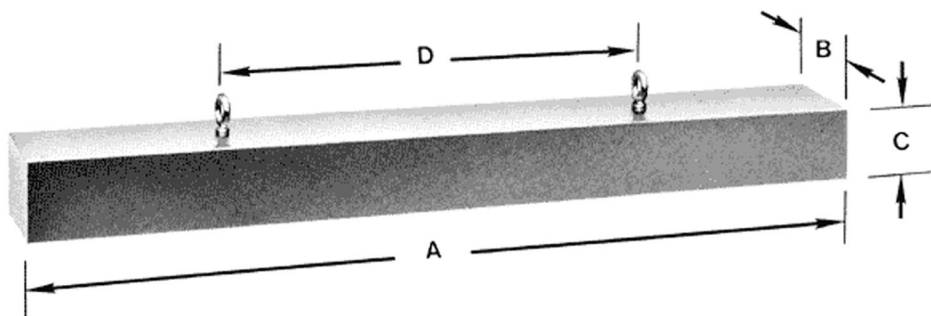


重型道路磁掃把 Heavy Duty Road Sweepers				
Model	DWG #	A	Tire Size	Weight
HDRS-96	3400-82	96	16" Dia.	700#
HDRS-84	3401-82	84	16" Dia.	625#
HDRS-72	3402-82	72	16" Dia.	550#
HDRS-60	3403-82	60	12" Dia.	475#
HDRS-48	3404-82	48	12" Dia.	400#



磁掃把主體平板 Magnetic Sweeper Plate

Plate type sweeper for parking lots, factory floors, and other large areas. These units can be mounted on a fork lift or truck. They are manually cleaned and have a pickup range from 1 to 4 inches.



Magnetic Sweeper Plates					
Model	A +/- 1/4	B +/- 1/4	C +/- 1/4	D +/- 1/8	Weight (lbs)
PM-2-24	24	6-1/2	2-3/4	14	75
PM-2-36	36	6-1/2	2-3/4	20	110
PM-2-48	48	6-1/2	2-3/4	30	145
PM-2-60	60	6-1/2	2-3/4	36	175
PM-2-72	72	6-1/2	2-3/4	42	217
PM-2-84	84	6-1/2	2-3/4	48	245
PM-2-96	96	6-1/2	2-3/4	54	276

滾筒式磁掃把 Rotary Magnetic Sweepers

有效且易於清除 Efficient and Easy To Clean

Magnetool's Rotary Magnetic Sweepers are the ideal magnetic tool for picking iron or steel particles from floors, driveways or other areas. Easy to maintain. Never needs to be remagnetized. Magnetool magnetic sweepers have great pickup and carrying capacity, using entire 360 surface of rotating 1-1/8" aluminum tube. Picked up material easily unloaded by moving wiper ring from one end to the other.

Standard magnetic sweepers are made with Ceramic magnets. To pick up steel shot the sweeper must have Alnico magnets.



規格 Specifications

- Over-all length (including handle) 50"
- Wheel diameter 2-5/8"
- Widths as shown on chart

滾筒式磁掃把 Rotary Magnetic Sweepers			
Model	Overall Width in Inches	Net Weight (lbs)	Shipping Weight (lbs)
D-8	11-3/8	3	6
D-12	16-1/4	4	7
D-16	21-1/8	5	8
D-20	26	6	9
D-34	35-3/4	8	11



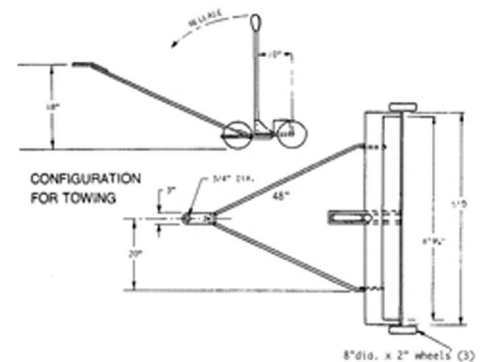
重型磁掃把 Heavy-Duty Magnetic Sweepers

Designed and built to do massive job of keeping driveways, yard, parking areas, and plant floors free of tramp iron. The permanent magnets in these sweepers are so powerful they will attract tramp iron from a distance of three to five inches.

Bottom of the sweeper consists of two stainless steel plates hinged along the back edge. Depressing the handle pivots the top plate and magnets away from the stationary bottom plate, dropping collected scrap. See picture.

The sweeper can be towed behind a fork lift or truck. A tow bar is substituted for the handle. An upright release lever allows cleaning without unhooking from the truck.

Specify handle or tow-bar model.



Model #	Sweeping Width	Over-all Width	Pickup Height	Wheel Diameter
RS-4-36	36"	40"	4"	8"
RS-4-48	48"	52"	4"	8"
RS-4-60	60"	64"	4"	8"

多様式磁鐵磁鐵吊具

MULTI LIFTS

設計改良 堅固結構
 塑膠外殼-可用不鏽鋼

IMPROVED DESIGN • RUGGED CONSTRUCTION
 PLASTIC CASE —STAINLESS STEEL AVAILABLE

An effective, rapid means of lifting small iron and steel parts from stock bins, boxes, kegs, tables, or floor. Smooth, uninterrupted side surfaces allow fast, easy burrowing into loose materials. A fingertip pull on the release bar drops the load. The standard units have a nylon lower case. A stainless steel lower case is available for hot or very abrasive material.

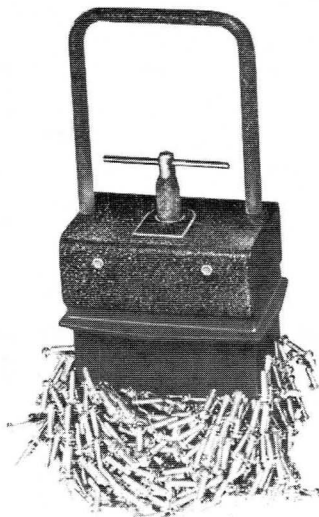
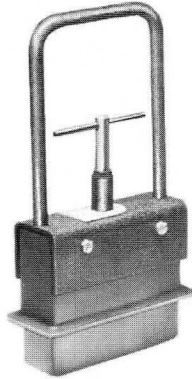
標準 STANDARDS

MODEL NUMBER	PICKUP CAPACITY LBS.	DIMENSIONS — INCHES			
		WIDTH	LENGTH	OVER-ALL HEIGHT	WEIGHT LBS.
71	2-3	1-5/8	4-3/4	9-1/4	2-3/4
72	4-5	3-1/8	4-3/4	9-1/4	4-1/2
74	6-8	4-3/4	6-1/4	9-1/4	8
76	10	4-3/4	8-1/2	9-3/4	11
78	13	4-3/4	11-1/4	9-3/4	15

長控制握把 LONG HANDLES

MODEL NUMBER	PICKUP CAPACITY LBS.	DIMENSIONS — INCHES			
		WIDTH	LENGTH	OVER-ALL HEIGHT	WEIGHT LBS.
71-30	2-3	1-5/8	4-3/4	32-1/2	6-3/4
72-30	4-5	3-1/8	4-3/4	32-1/2	8
74-30	6-8	4-3/4	6-1/4	32-1/2	12

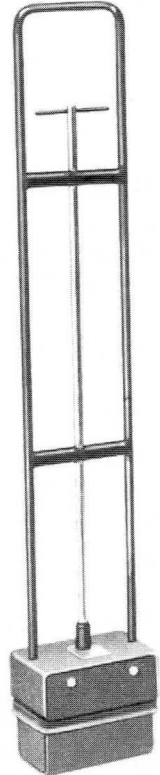
MODEL 71



MODEL 72



MODEL 74



MODEL 72-30

特殊吊具 SPECIAL PARTS LIFTER

The Special Lifter will pick up parts without allowing them to come together in a large mass. The parts can be released in the same attitude they were picked up. This prevents chipping or breaking in the case of "green" carbide and keeps other delicate material free of scratches.

Figure 1. shows carbide inserts before being picked up. Figure 2. shows the inserts magnetically held to the bottom of the Lifter. They will be released in the same attitude. The Lifters can be made in almost any size to fit a particular application.

FIGURE 1

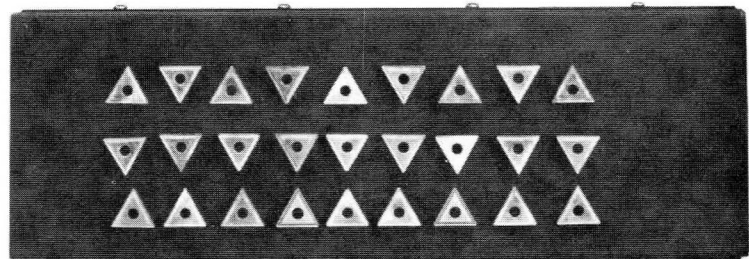
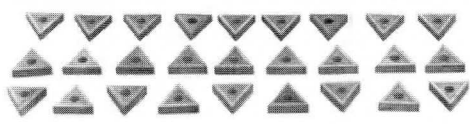
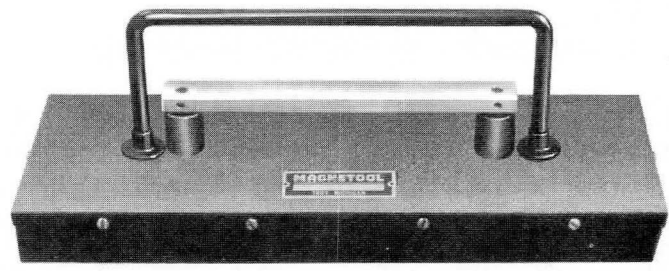


FIGURE 2

REPRESENTATIVE SIZES—INCHES

MODEL NUMBER	WIDTH	LENGTH	OVER-ALL HEIGHT	WEIGHT LBS.
SPL-1	7	3-1/2	7-5/8	3
SPL-2	5	5	7-5/8	3-1/2
SPL-3	13	5	7-5/8	7-1/2
SPL-4	12-1/4	4-1/2	7-5/8	6
SPL-5	8	4-7/8	5-5/8	4