



Switch on/off Permanent Lifting Magnets

PULLMAX Permanent lifting magnets designed with powerful rare earth magnet, it is mainly used for carrying iron products, such as: armor plate, iron, mould and the other armor plate products.

- No Battery to recharge or replace, no power needed and maintenance free. Without marring the surface of working pieces. safe button which is specially made will be safe for product.
- Every product that we manufactured had been tested. It is ensured to reach or exceed three times safety factor for LM-A and LM-B model and 3.5 times safety factor for UNI Model.
- Our products included pressurize structure which is specially designed, and it could hold the product's life more than eight (8) years.
- Operating is easy, internal on/off change over mechanism eliminates possible scratches on work surface when loading/unloading.

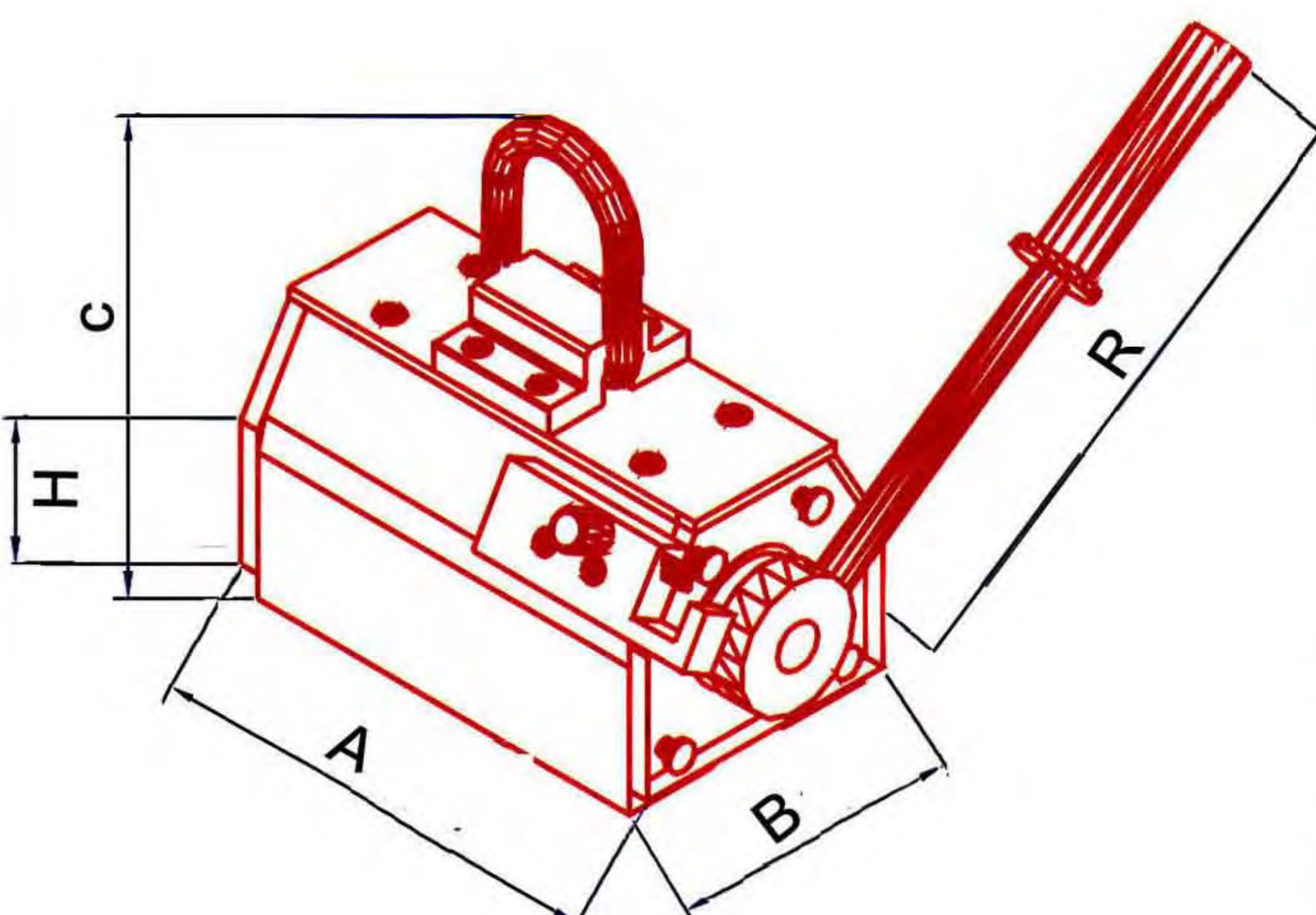


LM-A Model Safety Factor: 3.5

| Model | Capacity (Flat) KG | Capacity (Round) | Tear Force KGF | Weight (KG) | Dimensions (mm) | | |
|----------|--------------------|------------------|----------------|-------------|-----------------|-----|-----|
| | | | | | A | B | C |
| LM-100A | 100 | 50 | 350 | 4.5 | 116 | 66 | 130 |
| LM-300A | 300 | 150 | 1050 | 9 | 210 | 80 | 143 |
| LM-600A | 600 | 300 | 2100 | 20 | 235 | 103 | 189 |
| LM-1000A | 1000 | 500 | 3500 | 43 | 360 | 129 | 218 |
| LM-2000A | 2000 | 1000 | 7000 | 85 | 445 | 220 | 292 |
| LM-3000A | 3000 | 1500 | 10500 | 170 | 500 | 270 | 312 |

LM-B Model Safety Factor: 3

| Model | Capacity (Flat) KG | Capacity (Round) | Tear Force KGF | Weight (KG) | Dimensions (mm) | | |
|----------|--------------------|------------------|----------------|-------------|-----------------|-----|-----|
| | | | | | A | B | C |
| LM-B100 | 100 | 50 | 300 | 6 | 122 | 69 | 185 |
| LM-B200 | 200 | 100 | 600 | 8.5 | 162 | 79 | 190 |
| LM-B300 | 300 | 150 | 900 | 15.5 | 192 | 95 | 225 |
| LM-B500 | 500 | 250 | 1500 | 29.5 | 232 | 120 | 270 |
| LM-B1000 | 1000 | 500 | 3000 | 60 | 332 | 154 | 320 |
| LM-B1500 | 1500 | 750 | 4500 | 88 | 382 | 170 | 370 |
| LM-B2000 | 2000 | 1000 | 6000 | 126 | 392 | 196 | 420 |
| LM-B3000 | 3000 | 1500 | 9000 | 195 | 447 | 220 | 453 |
| LM-B5000 | 5000 | 2500 | 15000 | 385 | 640 | 260 | 645 |



PML-Model Safety Factor: 3.5

| Model | Capacity (Flat) KG | Capacity (Round) | Tear Force KGF | Weight (KG) | Dimensions (mm) | | | |
|----------|--------------------|------------------|----------------|-------------|-----------------|-----|-----|-----|
| | | | | | A | B | H | R |
| PML-100 | 100 | 50 | 350 | 3 | 86 | 66 | 67 | 150 |
| PML-300 | 300 | 150 | 1050 | 8.6 | 180 | 80 | 80 | 168 |
| PML-600 | 600 | 300 | 2100 | 20.6 | 198 | 107 | 103 | 198 |
| PML-1000 | 1000 | 500 | 3500 | 43 | 262 | 129 | 130 | 262 |
| PML-2000 | 2000 | 1000 | 7000 | 90 | 370 | 170 | 170 | 370 |
| PML-3000 | 3000 | 1500 | 10500 | 180 | 470 | 234 | 190 | 480 |
| PML-4000 | 4000 | 2000 | 14000 | 280 | 615 | 255 | 204 | 600 |
| PML-6000 | 6000 | 3000 | 21000 | 420 | 650 | 266 | 232 | 600 |

