

Pendant Push Button Controls

For the Control of

- Cranes
- Hoists
- Material Handling Equipment
- Lift Tables
- Transfer Cars



80 Series

Features

- Wide variety for easy customization.
- High impact ABS enclosures.
- One and two speed operators.
- Neoprene bootied buttons.
- Easy force & positive detent switches / buttons.
- -15°C to $+70^{\circ}\text{C}$ (-5°F to $+160^{\circ}\text{F}$) operation.
- CE Approved.
- Contacts Rated 5A at 120VAC.
- 100g Shock resistance.
- Indoor or Outdoor use, fix between bushing collar and control cable by a clamps for water-proof (IP65) if outdoor use.

Buttons

Silicon Rubber bootied buttons.
Seals out dirt and moisture.

Bushing Collar

3 sizes for cable diameters
(9.5mm to 21mm).

Cable Bushings

Available in 2 sizes
(9.5mm to 21mm).

Enclosure

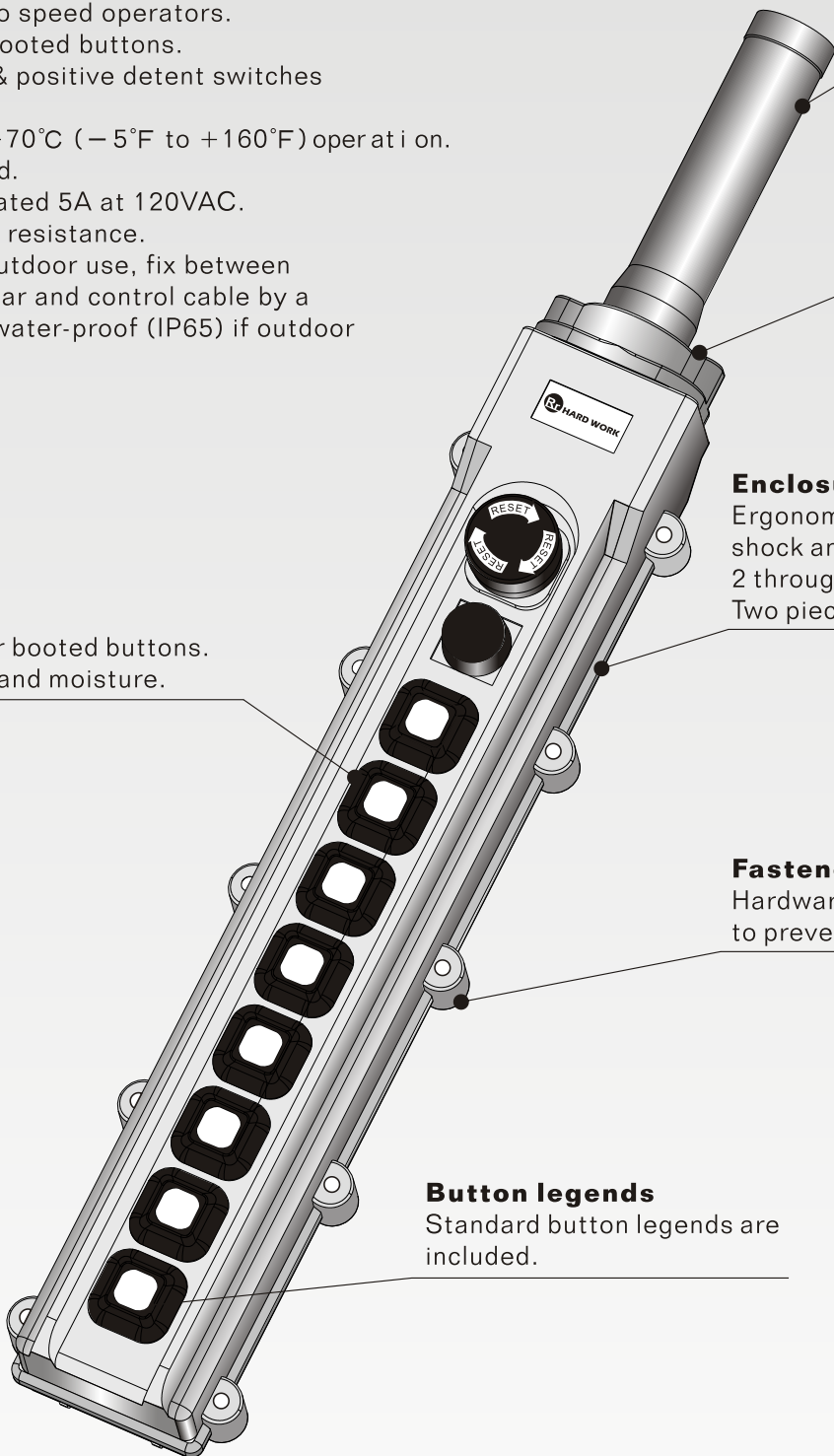
Ergonomic design, visible safety yellow.
shock and vibration resistant, rugged ABS
2 through 10 button. Regular or deep style.
Two piece enclosure simplifies field wiring.

Fasteners

Hardware and threaded inserts in housing
to prevent thread stripping.

Button legends

Standard button legends are
included.



Warning

To avoid severe personal injury or death do not :

1. Lift loads greater than rated load capacity of hoist.
2. Operate if direction of hook travel does not agree with that indicated on control.
3. Lift people or loads over people
4. Operate unless load is centered in hook and latch is closed.
5. Operate unless hook travel limit devices function-test without loads each shift.
6. Operate with worn, twisted, kinked, or other damaged chain or wire rope.
7. Operate when hoist is not centered over load.
8. Operate hoist if chain or wire rope is not seted properly in sprockets, drum, or sheave.
9. Operate damaged or malfunctioning hoist.

HOB 81 Series



Model No.	Complete Pendant Push Button Controls	Weight
HOB 81	2 buttons w/single speed	About
HOB 81-1	2 buttons w/double speed	0.32kg

HOB 82 Series



Model No.	Complete Pendant Push Button Controls	Weight
HOB 82	4 buttons w/single speed	About 0.49kg
HOB 82-1	2 buttons w/single speed; 2 buttons w/double speed	
HOB 82-2	4 buttons w/double speed	
HOB 82-A	ON & OFF & 2 buttons w/single speed	
HOB 82-A1	ON & OFF & 2 buttons w/double speed	
HOB 82-B	EMS & 2 buttons w/single speed	
HOB 82-B1	EMS & 2 buttons w/double speed	
HOB 82-BE	EMS & INDICATOR & 2 buttons w/single speed	
HOB 82-BF1	EMS & Variable Resistor & 2 buttons w/double speed	

HOB 83 Series



Model No.	Complete Pendant Push Button Controls	Weight
HOB 83	6 buttons w/single speed	About 0.63kg
HOB 83-1	2 buttons w/double speed & 4 buttons w/single speed	
HOB 83-2	4 buttons w/double speed & 2 buttons w/single speed	
HOB 83-3	6 buttons w/double speed	
HOB 83-A	ON & OFF & 4 buttons w/single speed	
HOB 83-A1	ON & OFF & 2 buttons w/double speed & 2 buttons w/single speed	
HOB 83-A2	ON & OFF & 4 buttons w/double speed	
HOB 83-B	EMS & 4 buttons w/single speed	
HOB 83-B1	EMS & 2 buttons w/single speed & 2 buttons w/double speed	
HOB 83-B2	EMS & 4 buttons w/double speed	

HOB 84 Series



Model No.	Complete Pendant Push Button Controls	Weight
HOB 84	8 buttons w/single speed	About 0.715kg
HOB 84-1	2 buttons w/double speed & 6 buttons w/single speed	
HOB 84-2	4 buttons w/double speed & 4 buttons w/single speed	
HOB 84-3	6 buttons w/double speed & 2 buttons w/single speed	
HOB 84-4	8 buttons w/double speed	
HOB 84-A	ON & OFF 6 buttons w/single speed	
HOB 84-A1	ON & OFF 2 buttons w/double speed & 4 buttons w/single speed	
HOB 84-A2	ON & OFF 4 buttons w/double speed & 2 buttons w/single speed	
HOB 84-A3	ON & OFF 6 buttons w/double speed	
HOB 84-B	EMS & 6 buttons w/single speed	
HOB 84-B1	EMS & 2 buttons w/double speed & 4 buttons w/single speed	
HOB 84-B2	EMS & 4 buttons w/double speed & 2 buttons w/single speed	
HOB 84-B3	EMS & 6 buttons w/double speed	

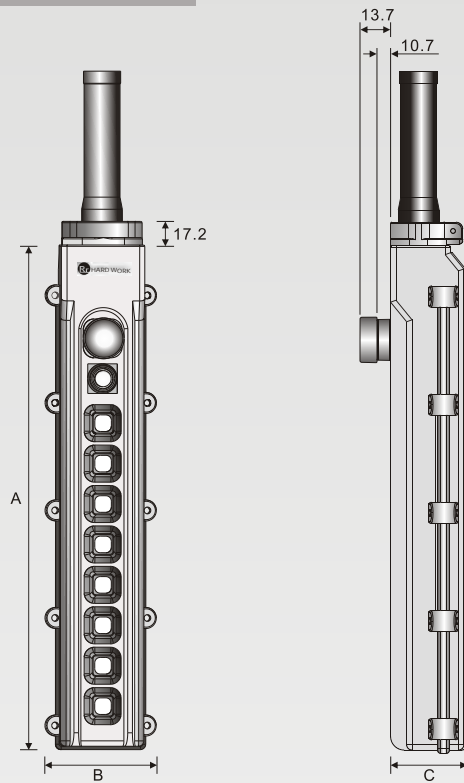
HOB 85 Series



Model No.	Complete Pendant Push Button Controls	Weight
HOB 85	10 buttons w/single speed	About 0.91kg
HOB 85-1	2 buttons w/double speed & 8 buttons w/single speed	
HOB 85-2	4 buttons w/double speed & 6 buttons w/single speed	
HOB 85-3	6 buttons w/double speed & 4 buttons w/single speed	
HOB 85-4	8 buttons w/double speed & 2 buttons w/single speed	
HOB 85-5	10 buttons w/double speed	
HOB 85-A	ON & OFF & 8 buttons w/single speed	
HOB 85-A1	ON & OFF & 2 buttons w/double speed & 6 buttons w/single speed	
HOB 85-A2	ON & OFF & 4 buttons w/double speed & 4 buttons w/single speed	
HOB 85-A3	ON & OFF & 6 buttons w/double speed & 2 buttons w/single speed	
HOB 85-A4	ON & OFF & 8 buttons w/double speed	
HOB 85-BE	EMS & INDICATOR & 8 buttons w/single speed	
HOB 85-BE1	EMS & INDICATOR & 2 buttons w/double speed & 6 buttons w/single speed	
HOB 85-BF	EMS & VARIABLE RESISTOR & 8 buttons w/single speed	
HOB 85-BF1	EMS & VARIABLE RESISTOR & 2 buttons w/double speed & 6 buttons w/single speed	

Model No.	Number of Buttons	Contact Rating	Cable Bushings Diameter
HOB 81	2 single speed buttons	2A at 500VAC 5A at 250VAC	From 9.5mm To 21mm
HOB 82	4 single speed buttons		
HOB 83	6 single speed buttons		
HOB 84	8 single speed buttons		
HOB 85	10 single speed buttons		

Enclosure Dimensions



No. of Positions	A	B	C
2	123	76	53
4	182	76	53
6	242	76	53
8	301	76	53
10	369	83.5	56

Cable Bushing Size



812
9.5mm~17mm


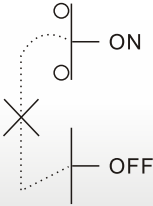

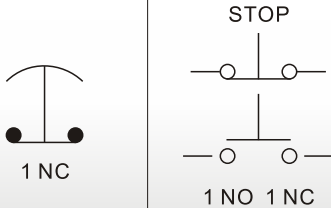

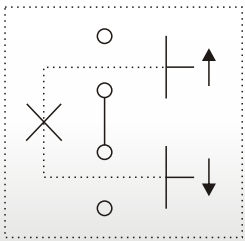

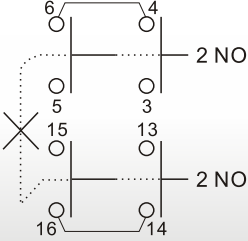

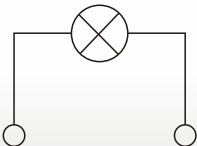

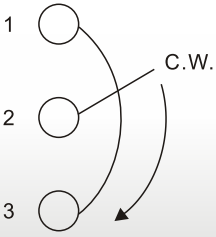
834
15mm~17mm

856
17mm~21mm

Crane Cable with or w/o Steel Wire

Stranded Conductor	No. of Core	Insulation thickness	Insulation Diameter	Jacket Thickness	Overall Diameter
mm ²		mm	mm	mm	mm
1.25	3c	0.8	3.0	1.5	9.5
	4c	0.8	3.0	1.5	11.0
	5c	0.8	3.0	2.0	12.0
	6c	0.8	3.0	2.0	12.5
	8c	0.8	3.0	2.0	15.5
	10c	0.8	3.0	2.0	17.1
	14c	0.8	3.0	2.0	18.4
	16c	0.8	3.0	2.0	19.1
	24c	0.8	3.0	2.0	19.3

Replacement of Pendant Push Buttons Controls

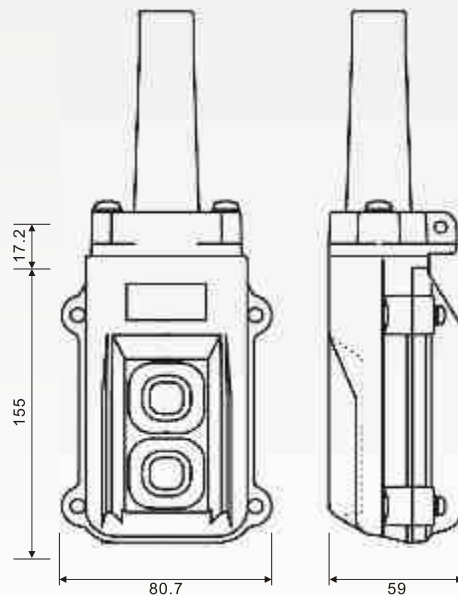
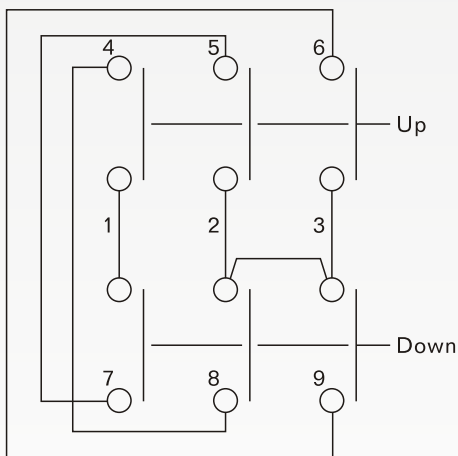
Part N O.	Appearance	Contact Arrangement	Operation
HOB-A			Maintained ON/OFF
HOB-B			Emergency stop(EMS)
HOB-C			Momentary single-speed with mechanical interlock
HOB-D			Momentary 2-speed with mechanical interlock
HOB-E			Pilot light (Takes up on button space) 12 VDC 24 VDC 110 VAC 220 VAC
HOB-F			Variable position resistor

HOB 213

Designed for direct control of single phase electric motors. Since motor current is controlled directly by the pendant switch, extra reversing contactors or costly controls are not required.

Features

- Durable high quality ABS pendant switch housing.
- Highly visible safety orange color.
- NEMA 4/12 water-proof enclosure.
- Split case design for easy installation and wiring.
- Flexible cable boot selection to match size of cable prevents entry of debris.
- Slim compact size suited for one hand operation, insulated for operator safety.
- **Direct control ratings for 1HP max. @120VAC.**
- **Two button switch with a wide range of legend markings**
- **Silicone rubber booted buttons seals out dirt and moisture.**



Item	Specification
Power Source	1 ϕ 100/110V / 1 ϕ 200/220V
Voltage Rating	AC 250V
Current Rating	15A
Insulation Resistance	Above 100M Ω (DC500)
Voltage Endurance	AC 2500V, 1mintue

A Specialist in Safe/Reliable Power and Data Transfer Systems for Moving Equipment

Insulated Conductor Rails



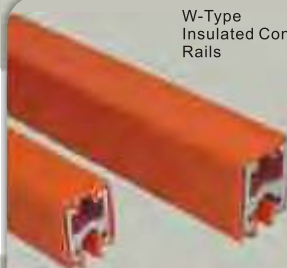
Spring Cable Reels



Flat Cable Festoon Systems



W-Type Insulated Conductor Rails



Energy Chain Systems



Push Button Pendant



Agent :