
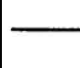


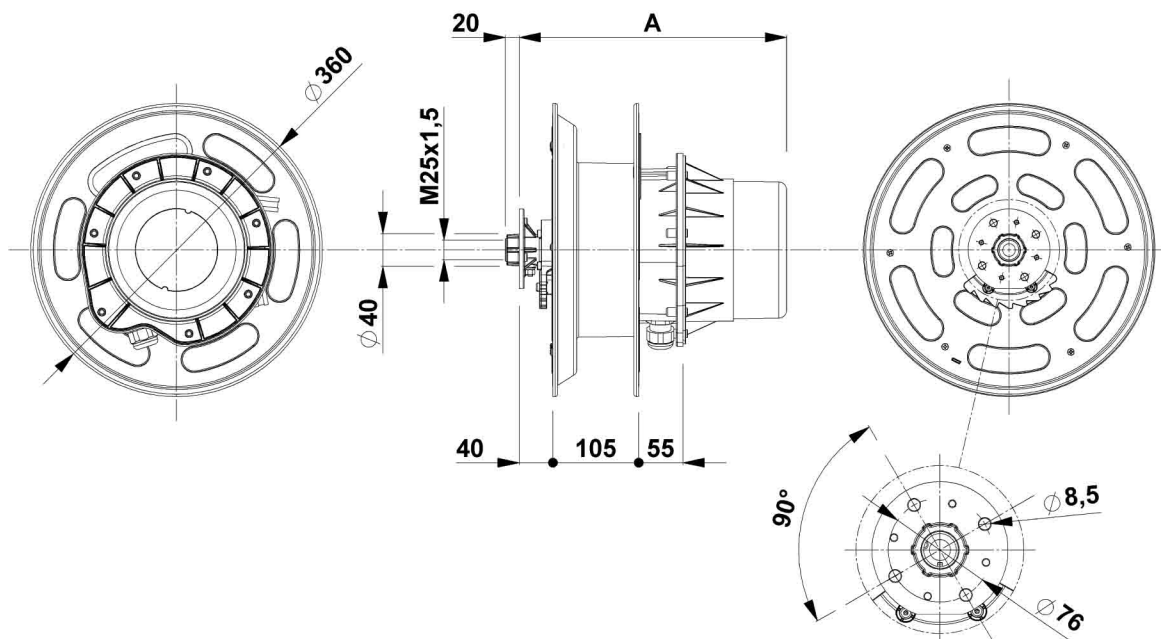
捲線器1400系列

CABLE REEL serie 1400

- 聚合物塗不銹鋼表殼
Polymer-painted steel case
- 側面固定鋁合金支架
Side fastening aluminium bracket
- 集電集功率16 - 50 - 100A
Collectors with power 16 – 50 – 100A
- 鋼製彈簧有更長使用壽命
Steel spring suitable to grant a long life
- 防護等級 IP65
Protection degree IP65
- 交貨有H05 VV-F 和 H07 RN-F 電線或不含電線
Delivered without cable or with cable H05 VV-F and H07 RN-F
- 電線捲取適用於1到12芯
Suitable to recoil cables from 1 to 12 conductors
- 工作溫度：-5° C/ +40° C
Working temperature: -5°C / +40°C
- 最大捲取速度 30米/分鐘
Max recoiling speed 30 m/minute
- 集電極絕緣電力 2.5 KV
Collector insulation power 2,5 KV



Number of conductor	Conductor section (mm ²)	Slipping capacity (A)	Meters of coiled (m)	Art. WITHOUT CABLE	Art. WITH CABLE	KW		Cable type	Cable diameter (mm)	Overall dimension A						
																
1 x	16	50	20	1470	1420	50A		H05 V-F	8	330						
	25	100	18	1471	1421	100A			10							
2 x	16	50	10		1424	50A		H05 BQ-F	15	330						
		100			1425	80A				380						
3 G	2,5	20	20	1476	1428	230V	2,0	230V	3,5	H05 VV-F	10	330				
			18		1428 RNF					H07 RN-F	11,5					
4 G	1,5	20	20	1478	1432 RNF	400V 3F+T	4,0	400V 3F+T	6,0	H07 RN-F	10,5	330				
			18		1434					H05 VV-F	11					
			15		1434 RNF					H07 RN-F	12,5					
			18		1480					1435	H05 VV-F		11			
	2,5	50	15	1481	1435 RNF				400V 3F+T	7,0	400V 3F+T	10,0	H07 RN-F	12,5	330	
					12								1436	H05 VV-F		14
					10								1436 RNF	H07 RN-F		15
					8								1438 RNF	H07 RN-F		17
4	50	8				11,0		15,0	H05 VV-F	14	330					
						17,0		22,0	H07 RN-F	17	330					
5 G	1,5	20	18	1483	1440	400V 3F+T+N	4,0	400V 3F+T+N	6,0	H05 VV-F	10	330				
			15		1440 RNF					H07 RN-F	12					
			15		1484					1442	H05 VV-F		13			
			12							1442 RNF	H07 RN-F		13,5			
	2,5	50	15	1485	1443				400V 3F+T+N	7,0	400V 3F+T+N	10,0	H05 VV-F	13	330	
					12								1443 RNF	H07 RN-F		13,5
					8								1444 RNF	H07 RN-F		16,5
																11,0
8 x	1	20	18	1487	1450	3A		H05 VV-F	10	330						
	1,5		1488	1452	4,5A		11									
	2,5		1488	1454	7,5A		14									
12 x	1	20	15	1490	1460	3A		H05 VV-F	13	380						
	1,5		1462		4,5A		14									
	2,5		1464		7,5A		16,5									



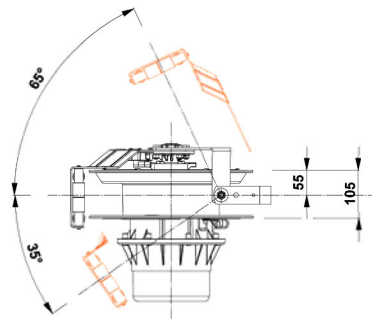
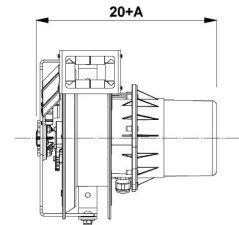
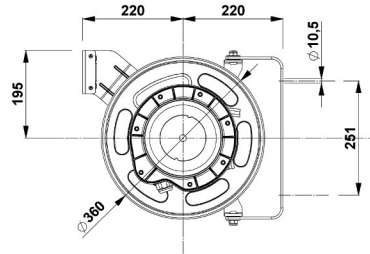
自選 1400系列 Optional serie 1400

HWE WANG

旋轉支架 - art. 1401

Swivelling bracket – art. 1401

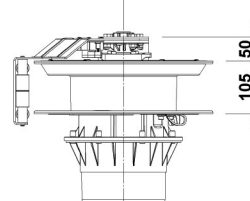
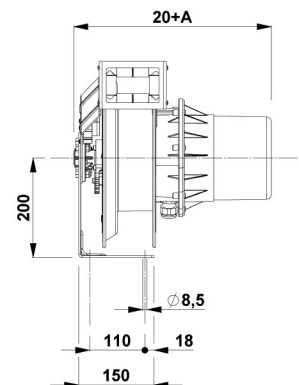
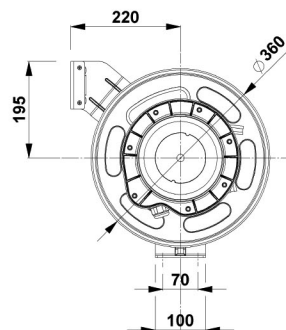
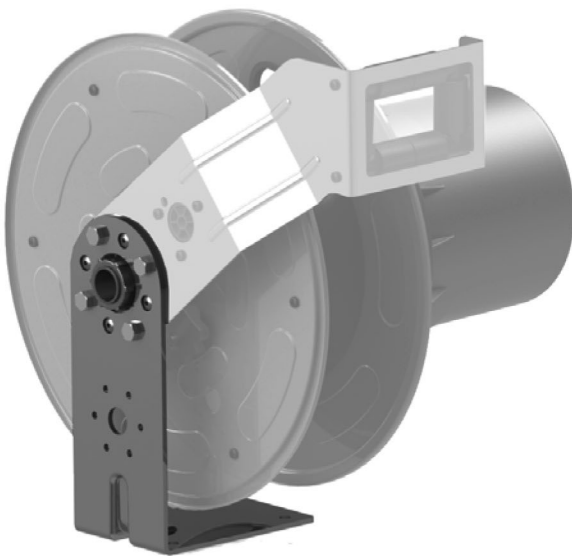
- 只適合手動捲線器
Suitable only if the cable reel is manually used.
- 安裝帶滾輪導纜器 art. 1406
To be installed with roller cable guide art. 1406



固定支架 - art. 1403

Fixed bracket – art. 1403

- 牆壁、地板、或天花板固定
For wall, floor or ceiling fastening.
- 安裝帶滾輪導纜器 art. 1406
To be installed with roller cable guide art. 1406



臂帶滾輪導纜器 - art. 1406
Arm with roller cable guide – art. 1406

- 配有棘輪
Complete with ratchet

