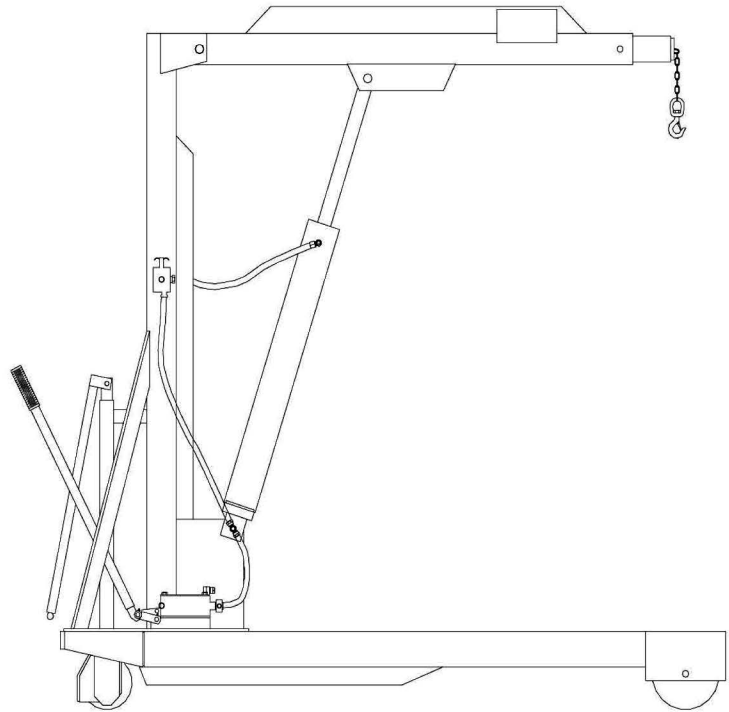


60型油壓吊桿

能力3000磅(1363公斤)

MODEL 60



MODEL 60

- 3000 lb. Capacity 能力3000磅(1363公斤)
- Straddle legs eliminates counterweight
跨式腿消除平衡配重

OPTIONAL ACCESSORIES 可選配件

- Floor Lock - Direct Bolt-On
地板鎖扣 - 直接用螺栓固定
- Polyurethane Wheels - Direct Bolt-On
聚氨酯輪子 - 直接用螺栓固定
- Phenolic Wheels - Direct Bolt-On
酚醛輪 - 直接用螺栓固定
- Power-Pak - Direct Bolt-On AC/DC
Operated Hydraulic Lifting
電源包 - 直接用螺栓固定在AC / DC操作液壓升降
- Swivel Boom - Limited Swing Motion Design
旋轉臂 - 有限的擺動運動設計
- Manual Hand Winch - Rated for Lifting Design
人工手動絞盤 - 額定起重設計
- Available in Stainless Steel Construction
可提供不銹鋼結構

Meets ASME PALD standards
for shop cranes.

Conforms to ANSI Z535 standards.

符合ASME PALD標準可作為工廠吊車用
依據ANSI Z535標準

Standard Features

標準特性

- Meets Ruger's structural engineering standards for 150% of rated lifting capacity
- Straddle leg designed units are built to exceed 150% stability factor
- Double action manual hand pump operation
- Built-in hydraulic overload relief valve
- Needle type release valve permits pin-point control over lowering and holding of the heaviest or lightest loads
- Adjustable built-in telescopic boom
- Steel wheels with sleeve bearings
- Swivel hook with safety latch
- Steel construction & standard Ruger blue paint

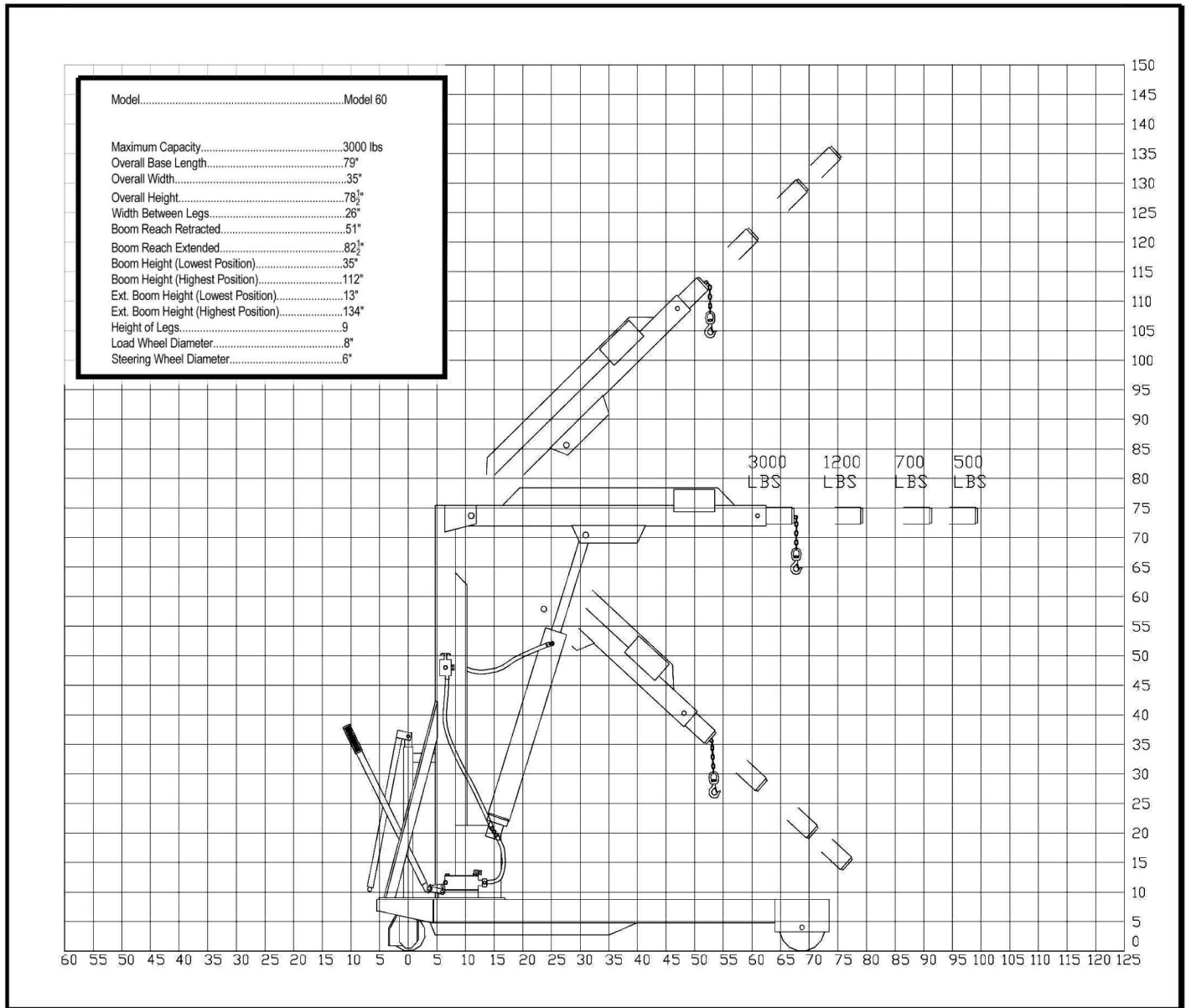
60型油壓吊桿

能力3000磅(1363公斤)

MODEL: MODEL 60

Load Capacity 3000 lbs
 承載能力 3000磅(1363公斤)

Figure 1 圖一



60A型油壓吊桿

能力3000磅(1363公斤)

05/04

VERSATILE

RELIABLE

FLEXIBLE

HEAVY DUTY

Model 60A 60A型

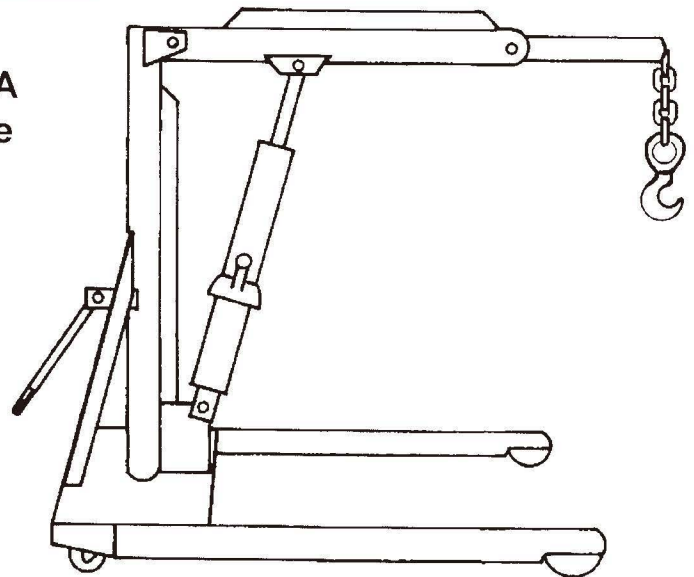
- **3000 lb. Capacity** 能力3000磅(1363公斤)
- **Adjustable legs make the Model 60A even more flexible and easier to use**
可調腳使型號60A更靈活和更容易的使用

ACCESSORIES 配件

- **Barrel Grip** 桶握把
- **Floor Lock** 地板鎖扣
- **Phenolic or Polyurethane** 酚醛樹脂或聚氨酯

STANDARD FEATURES 標準特性

- Meets Ruger's engineering standards of 150% structural overload of maximum rated capacity
- Completely self-contained hydraulic system with single action jack
- Built-in hydraulic overload relief valve (An original Ruger patent)
- Needle type release valve permits pin-point control over lowering or holding of heaviest or lightest loads
- Adjustable built-in telescopic boom
- Steel casters with roller bearing wheels
- Swivel hook with safety latch and chain to support heavy loads



The Model 60A has a manual built-in telescopic extension boom for more reach, more height and providing greater flexibility.

60A型裝有手動伸縮延長吊桿可達到較長的有效長度，較高和提供較大靈活性

Tested and exceeds ANSI/ASME PALD-12C standards.

測試並超過ANSI/ASME PALD-12C標準

Meets ANSI Z.535

符合ANSI Z.535

60A型油壓吊桿

能力3000磅(1363公斤)

VERSATILE

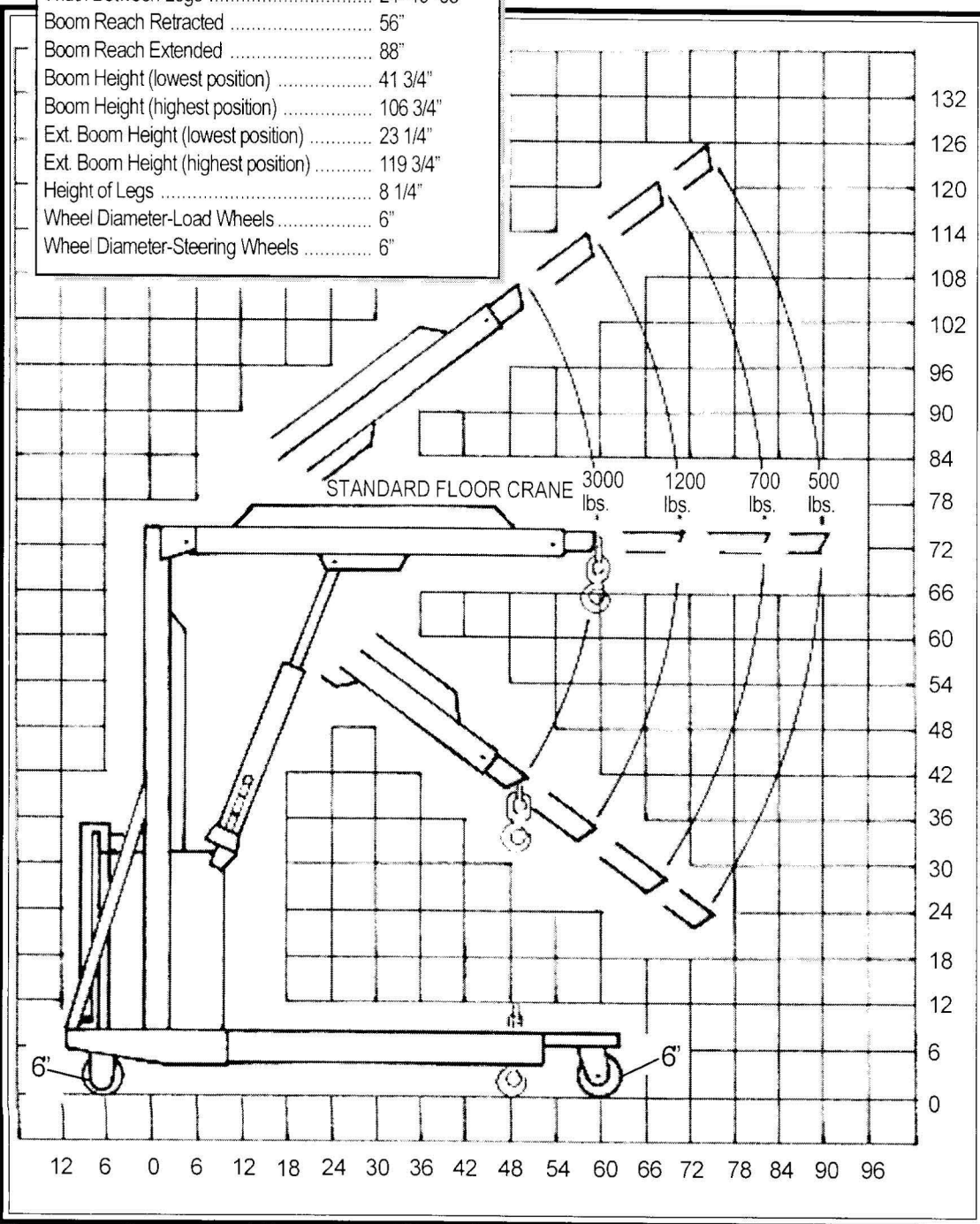
COMPACT

AFFORDABLE

RELIABLE

MODEL: Model 60A 60A型

Model	MODEL 60A
Max. Capacity	3000 lbs
Overall Base Length	76 1/2"
Overall Width	37"-54"-67"
Overall Height	75"
Width Between Legs	24"-40"-53"
Boom Reach Retracted	56"
Boom Reach Extended	88"
Boom Height (lowest position)	41 3/4"
Boom Height (highest position)	106 3/4"
Ext. Boom Height (lowest position)	23 1/4"
Ext. Boom Height (highest position)	119 3/4"
Height of Legs	8 1/4"
Wheel Diameter-Load Wheels	6"
Wheel Diameter-Steering Wheels	6"



PUMPING CYCLES 泵循環
needed to raise boom
through full
travel: 90.
通過全行程來提高所需的吊桿：90

Certain models can be
shipped NEXT DAY.
某些型號隔天即可發貨

NOTE:注意
can modify
any standard
dimensions
to meet specific
customer needs.
可以修改任何標準
尺寸，以滿足特定
客戶的需求