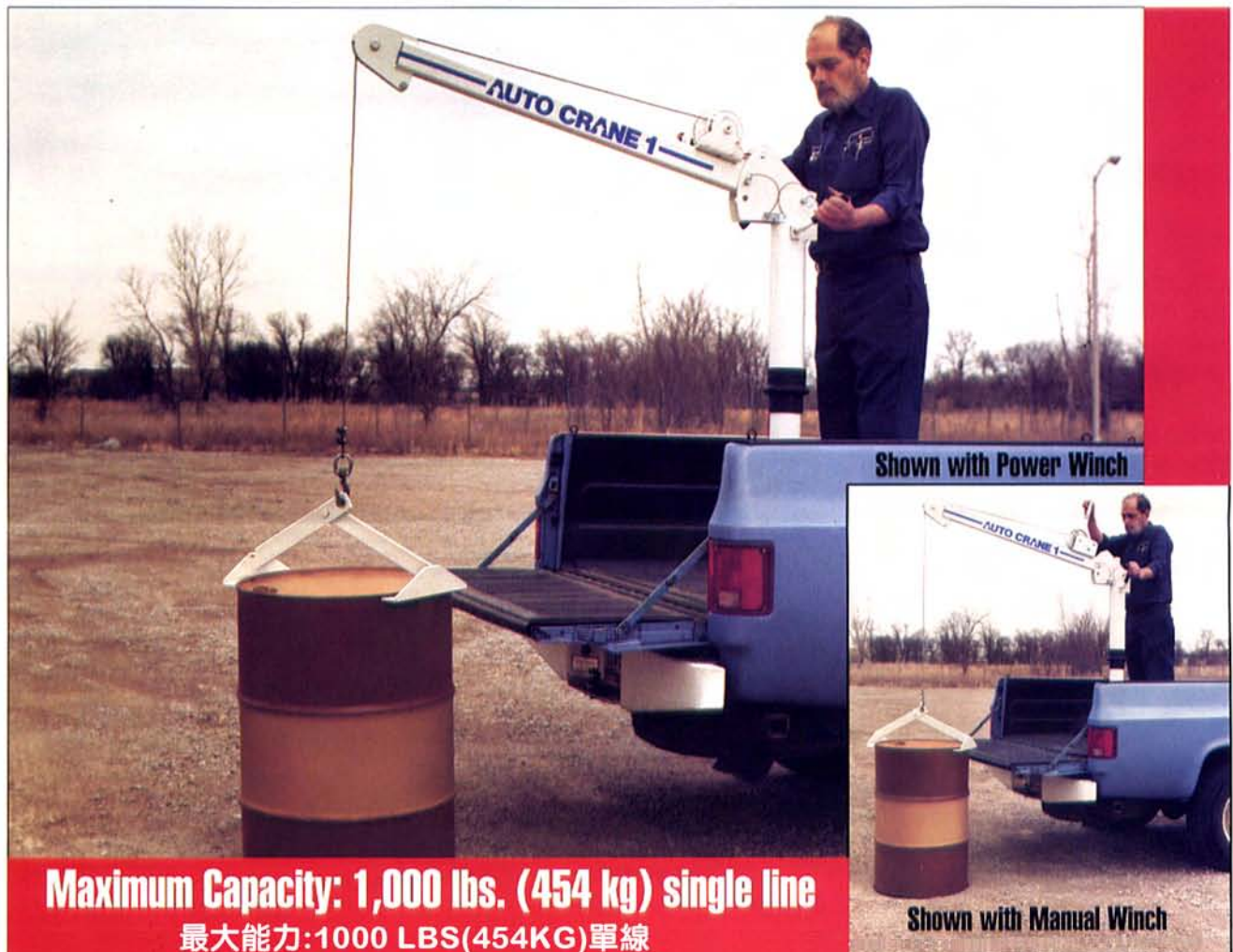


AUTO CRANE 1 貨車吊桿

ELECTRIC or MANUAL CRANE 電動、手動和油壓吊桿

AUTO CRANE



Maximum Capacity: 1,000 lbs. (454 kg) single line
最大能力:1000 LBS(454KG)單線

- Available with manual or power winch
- Three-position boom-4' 3" (1.30m) length
- Boom rotates easily under full load
- 360° continuous manual rotation with manual brake
- 25' (7.62m) of 3/16" (.48cm) cable with 4,200 lbs. (1,905 kg) breaking strength
- Crane may be easily removed from base

- 附手動或動力絞盤
- 三點位置吊桿，最大之度 -1.30M
- 滿負載下容易迴轉
- 使用手動剎車可做360°連續手動的迴轉
- 3/16" (4.8MM)之鋼索7.62M長，最大破斷強度為1905KG
- 吊桿可容易的從底拆解

- Boom stows easily for traveling
- Stored height of 4' 11 1/2" (1.51m)
- Lightweight, only 130 lbs. (58.97 kg) with manual winch; 140 lbs. (63.50 kg) with power winch; 150 lbs. (68 kg) with power winch and remote control pendant
- Optional 10 ft. (3.05m) removable remote control pendant (for use with power winch only)

- 行進中容易裝載物品
- 收藏後只有1.51M
- 淨重:58.97KG，含手動的絞盤則淨重僅為:63.5KG，含動力絞盤68KG
- 可依所需選用可拆下之遙控控制開關 (3.05M長)(僅適於動力絞盤)



HWE WANG ENTERPRISES INC.

NO.178 SHYE RD., CHIANJEN DIST, KAOHSIUNG (80672) TAIWAN / TEL : 886-7-8317878 / FAX : 886-7-8311789 • 886-7-8224967

SPECIFICATIONS

Lifting Capacities:

1,000 lbs. (454 kg) capacity at all points

Turning Radius	360°
Weight (with manual winch)	130 lb. (58.97 kg)
Weight (with power winch)	140 lb. (63.50 kg)
Weight (with power winch and remote control pendant)	150 lb. (68.00 kg)
Mounting Space required (baseplate)	12" x 12" (.30m x .30m)
Bolt Hole Pattern	10 1/2" x 10 1/4" (.27 x .26m)

Requirements:

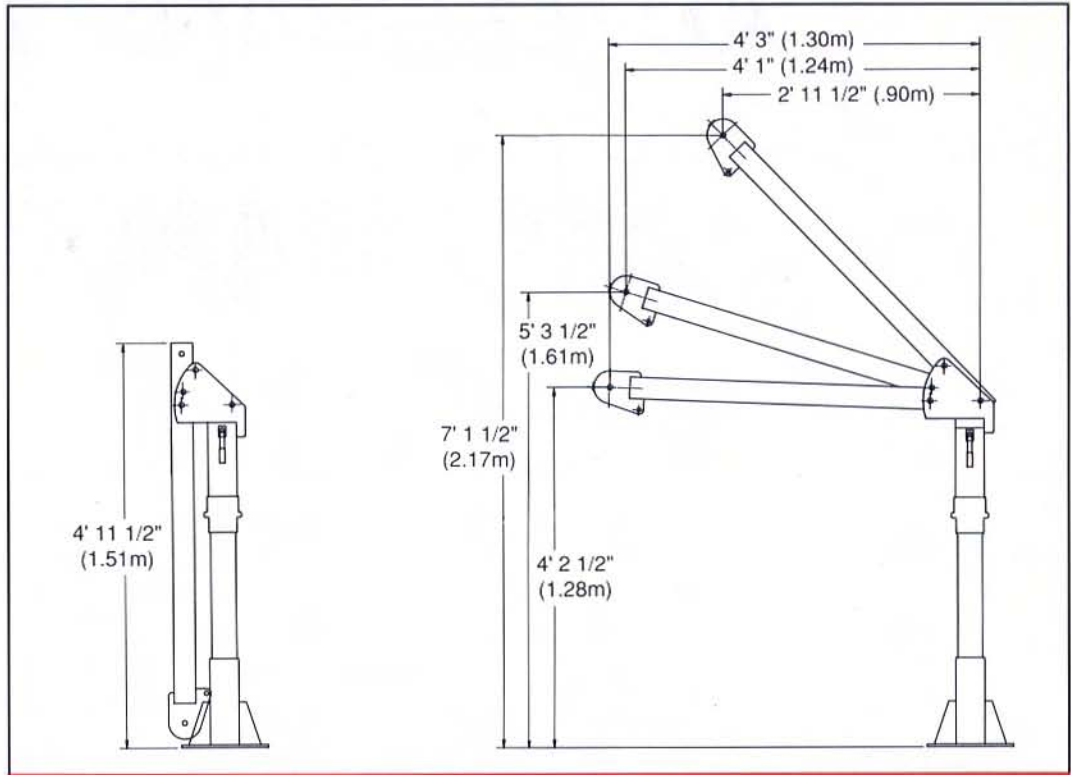
Vehicle's electrical system must have minimum 12 volt, 80 amp/hr., 450 cold cranking capacity battery and 50 amp alternator. (Power Winch only)

Truck must be equipped with jackleg extending 3' 3" (1 m) from centerline of truck.

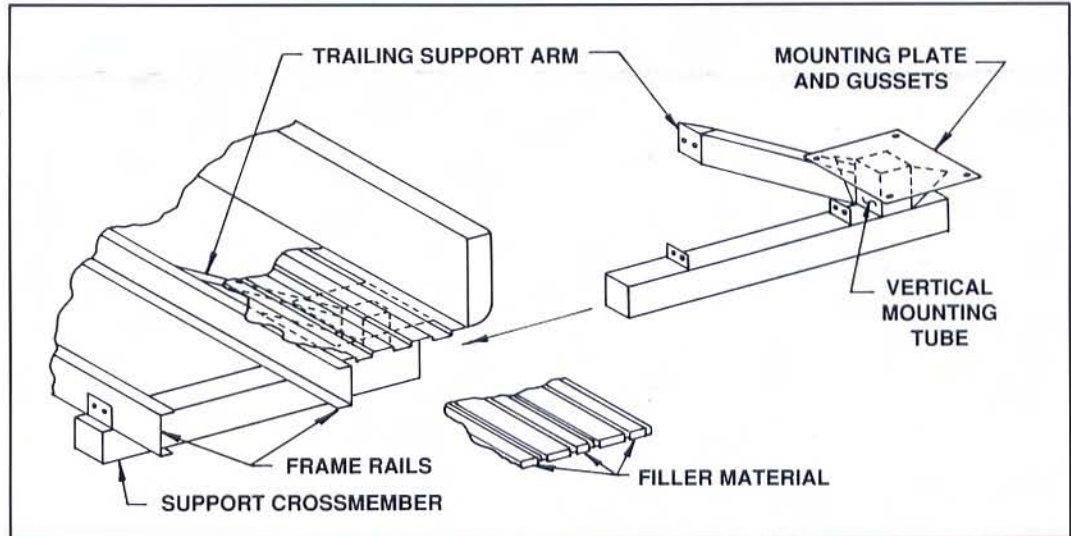
Optional Equipment:

- Detachable Jacklegs
- Drum Tongs

Auto Crane does not assume any liability for damage to the truck frame or body if the recommended mounting instructions shown in the crane operation manual are not followed or if the crane is overloaded.



Auto Crane 1 Dimensions



Recommended Typical Installation (not available from Auto Crane)

Limited Warranty Excerpt

Auto Crane Company warrants each new Auto Crane product to be free from defects in materials and workmanship for a period of one year from date of purchase. The obligation under this warranty, statutory or otherwise, is limited to the replacement or repair at our factory of such part or parts as shall appear to us upon inspection to be defective in materials and workmanship. Auto Crane Company makes no warranty in respect to component accessories which are subject to the warranties of their respective manufacturers.

Auto Crane cranes are not intended to be used for the lifting or moving of persons.

Copy of warranty statement packed with each product.



ECONO II 貨車吊桿

ELECTRIC CRANE 電動吊桿

AUTO CRANE



Maximum Capacity: 2,000 lbs. (909kg) double line, 3' 3" (990 MM)
最大能力: 2000 LBS(909KG) 雙線, 在 3' 3" (990 MM 時)

- Two-position manual telescoping boom extends from 2'10 1/2" (.88m) to 5'3" (1.6m)
 - 338° manual rotation with manual brake
 - 25' (7.62m) of 3/16" (.48cm) cable with 4,200 lbs. (1,905 kg) breaking strength
 - Swivel block with hook and safety latch
 - Boom folds down for travel; stored height of 3' 4" (1.02m)
 - Lightweight, only 210 lbs. (95 kg)
 - 22' (6.7m) of high current battery cable
 - 10 ft. (3.05m) removable remote control pendant
- 雙節手動伸縮桿從0.88M到1.6M
 - 338°手動旋轉附手剎車
 - 鋼索直徑4.8MM，7.62長，破斷強度:1905KG
 - 旋轉下鉤頭附防滑舌片
 - 吊桿可折疊放，儲存高度1.02M
 - 重量:95KG
 - 附有3.05M電線遙控器

