

汽、柴油捲揚機

PETROL AND DIESEL WINCHES



TS and TD-series

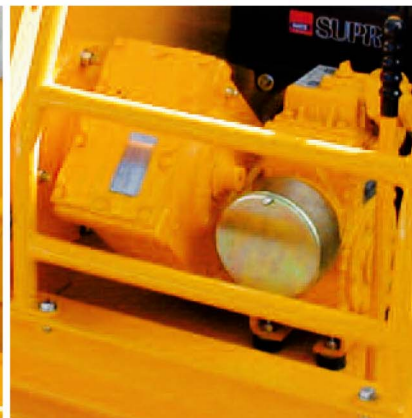
300 to 5.000 kg



STRONG POINTS



The modular design allows every adaptation: easy and economical.



Rugged and reliable parts.



Hatz motor.

技術規格和尺寸

Technical data and dimensions

Use: pulling

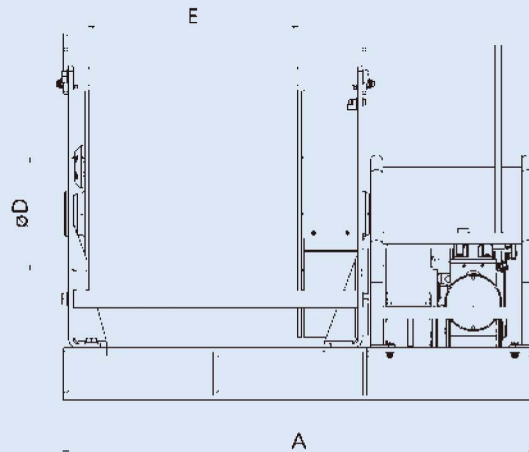
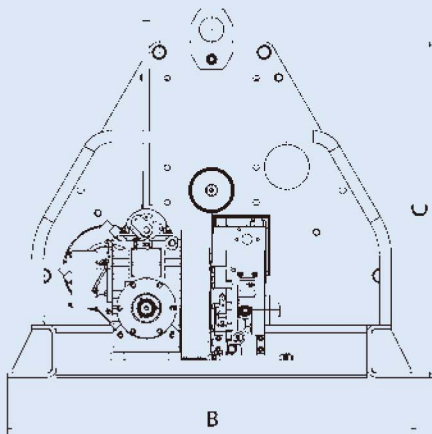
These winches are independent and much liked on sites where the electric power supply is unavailable or difficult to obtain.

- Building and public works

Technical properties:

- Speed of implementation.
- All the controls (lifting, lowering, pulling...) are obtained using a single control lever. When the operator releases the lever, the lever automatically returns to the brake position.

- Servicing is limited to reduction gear oil draining and lubrication every 500 hours of operation or once a year.
- The load lowering with the engine engaged provided additional safety.



Capacity kg	B	C	Ø D	A for a drum length of:		
				300 mm	600 mm (standard)	900 mm
300 to 750 kg	845	645	203	1021	1321	-
1000 to 1500 kg	845	645	203	1021	1321	-
2000 to 3000 kg	1170	1000	324	1075	1375	1675
5000 kg	1170	1030	324	1180	1480	1780

Dimensions mm

Capacity on last layer kg	Capacity on first layer kg	Speed m/mn		Motor (CV)		Rope dia. mm	Drum dia. mm	Standard length drum mm	Weight kg	
		Petr.	Die.	Petr.	Die.				Petr.	Die.
300	410	38	30	6	4.2	6.8	159	330	125	130
500	664	24	18	6	4.2	6.8	159	250	225	230
750	1037	16	12	6	4.2	8	159	215	225	230
1000	1300	12	8	6	4.2	9	229	215	325	330
1500	1930	8	6	6	4.2	11.5	229	160	325	330
2000	2400	6	4	6	4.2	11.5	324	235	810	815
2500	3080	5	3	6	4.2	13	324	210	810	815
3000	3830	4	3	6	4.2	15.8	324	180	815	820
5000	6400	3	3	8	7.6	18	368	160	1090	1145

The indicated rope diameter corresponds to the capacity on the last layer.

a complete range of lifting equipment

