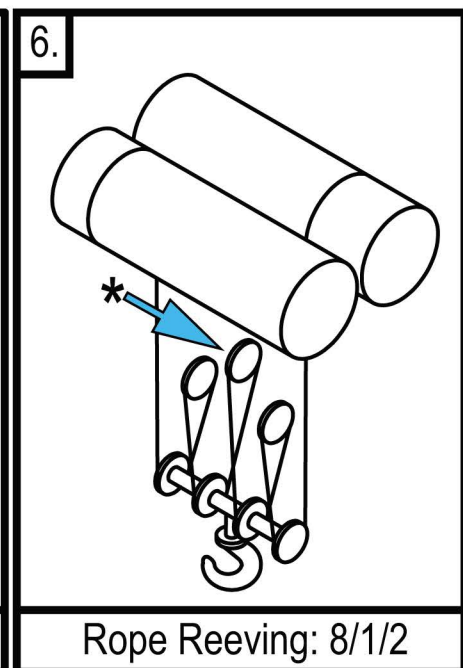
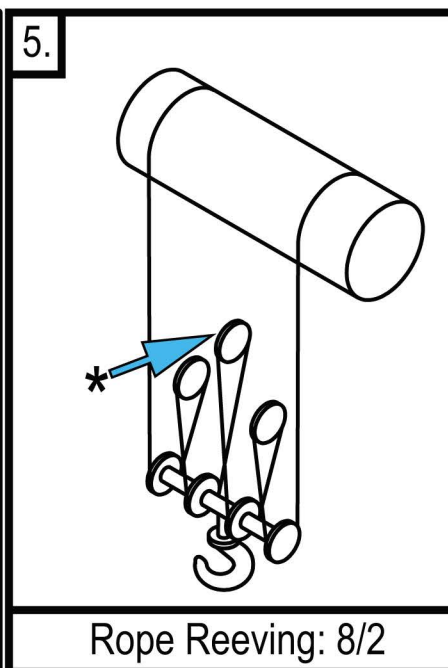
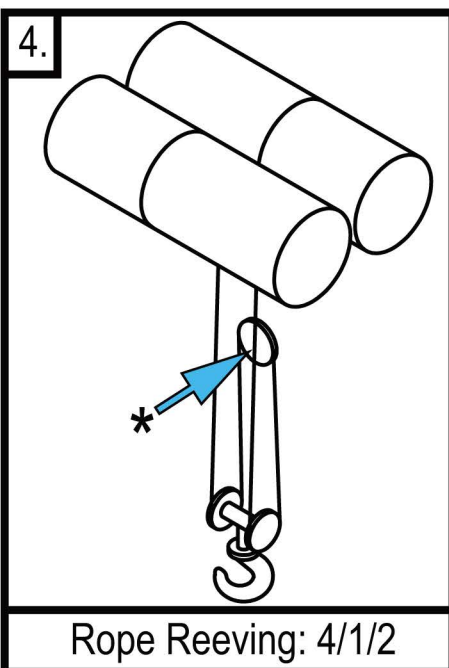
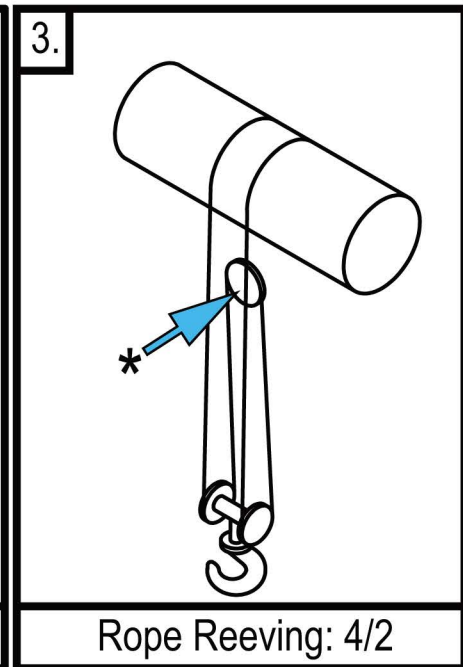
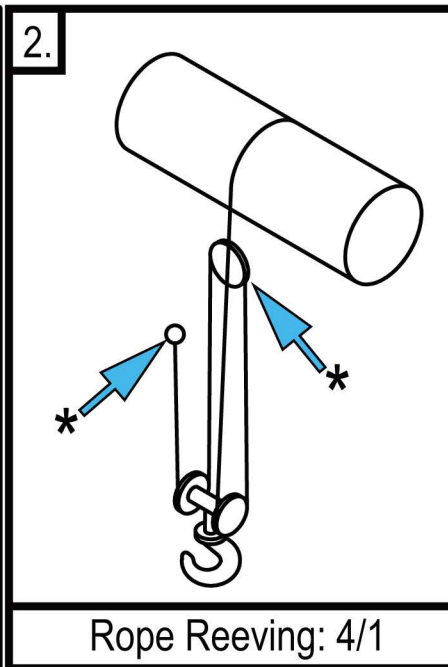
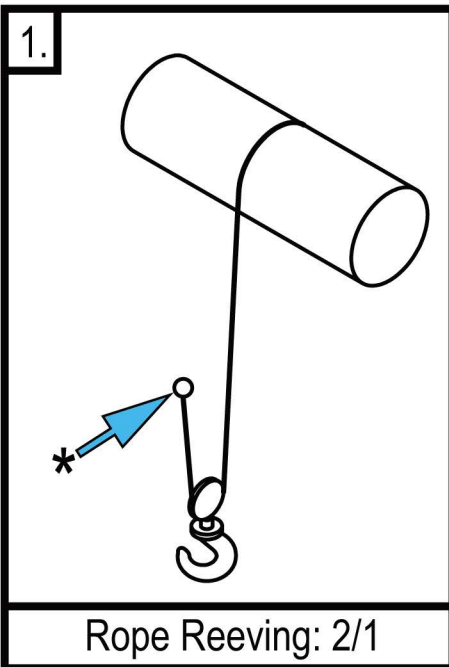


# 鋼索吊車繞線方式

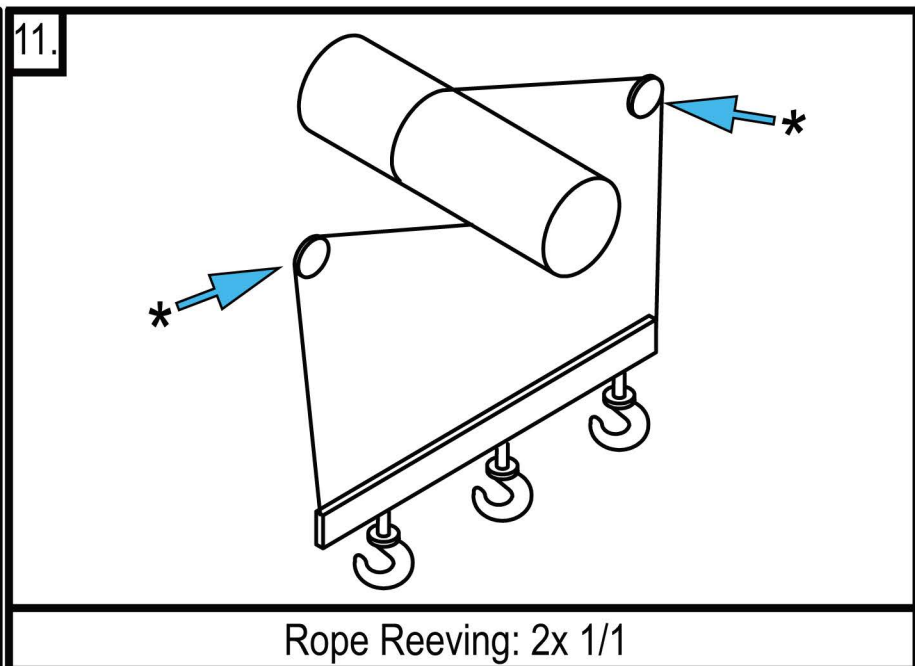
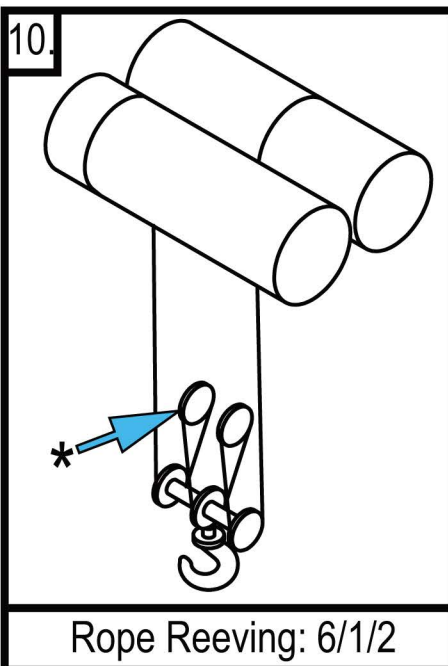
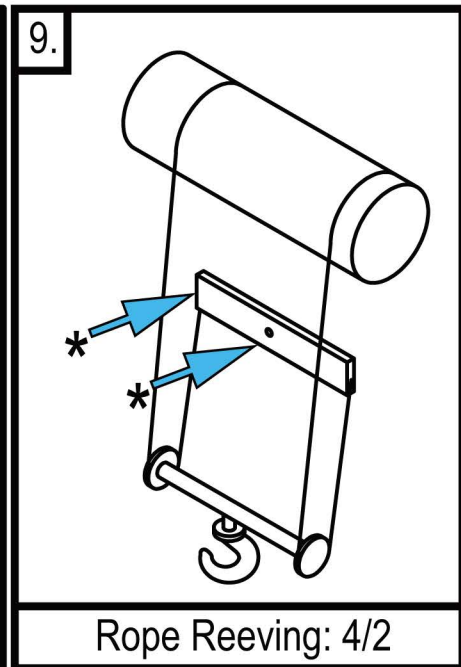
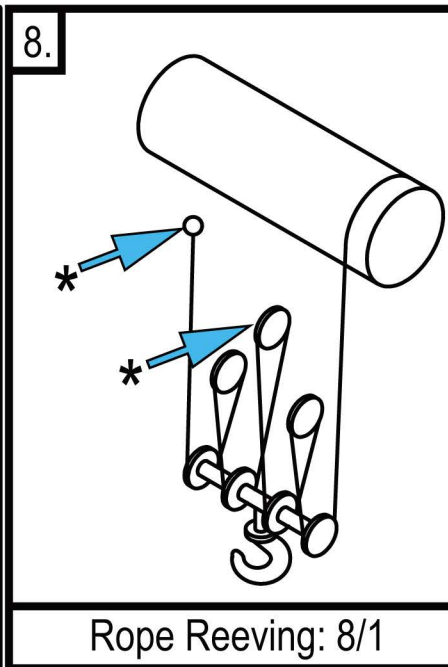
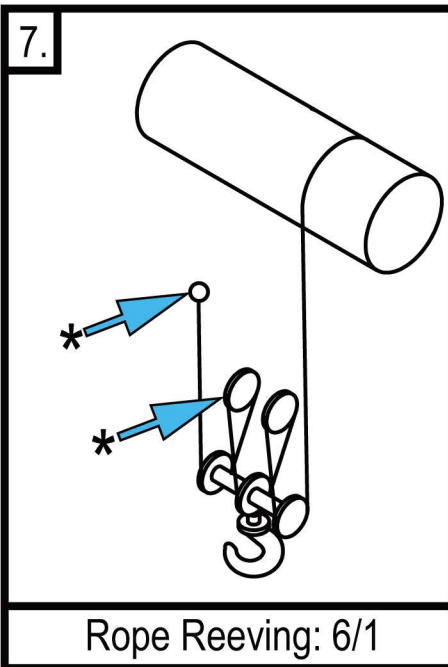
## WIRE ROPE HOIST REEVING



( \* ) Available Load Measurement Point

# 鋼索吊車繞線方式

## WIRE ROPE HOIST REEVING



( \* ) Available Load Measurement Point