

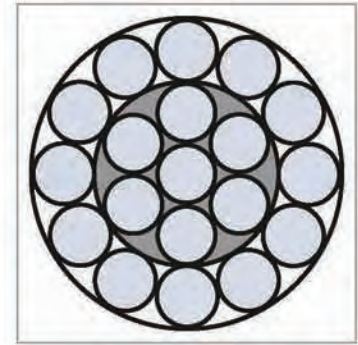
不銹鋼鋼索

Stainless steel wire ropes



不銹鋼鋼索 1 x 19 AISI 316

Stainless wire rope 1 x 19

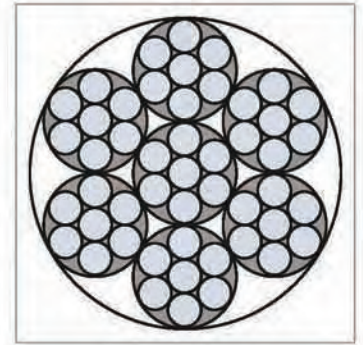


- material: AISI 316

nominal Ø mm	weight per kg/100m	tensile strength N/mm ²	calculated breaking load kN	minimum breaking load kN
0,54	0,10	1570	0,27	0,24
1,00	0,50	1570	0,94	0,82
1,25	0,70	1570	1,46	1,29
1,50	1,10	1570	2,11	1,86
1,80	1,60	1570	3,04	2,67
2,00	2,00	1570	3,75	3,30
2,50	3,10	1570	5,86	5,15
3,00	4,50	1570	8,43	7,42
3,50	6,10	1570	11,50	10,10
4,00	8,00	1570	15,00	13,20
5,00	12,40	1570	23,40	20,60
6,00	17,80	1570	33,70	29,69
7,00	24,30	1570	45,90	40,40
8,00	31,70	1570	59,90	52,00
10,00	49,50	1500	89,55	78,80
12,00	71,30	1450	124,60	109,70
14,00	97,10	1340	158,79	137,98
16,00	127,00	1340	204,70	180,00
19,00	178,80	1260	272,00	238,00

不銹鋼鋼索 7 x 7 AISI 316

Stainless wire rope 7 x 7

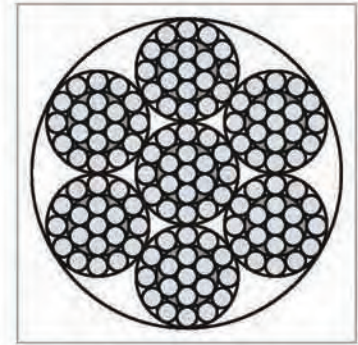


- material: AISI 316

nominal Ø mm	weight per kg/100m	tensile strength N/mm ²	calculated breaking load kN	minimum breaking load kN
0,54	0,12	1770	0,22	0,18
0,68	0,18	1770	0,35	0,29
0,72	0,21	1770	0,39	0,33
0,81	0,26	1770	0,50	0,41
1,00	0,40	1570	0,67	0,56
1,25	0,50	1570	1,05	0,88
1,35	0,72	1570	1,23	1,03
1,50	0,90	1570	1,51	1,27
1,80	1,30	1570	2,18	1,83
2,00	1,60	1570	2,69	2,25
2,50	2,50	1570	4,20	3,52
3,00	3,50	1570	6,05	5,07
3,50	4,82	1570	8,24	6,90
4,00	6,30	1570	10,70	9,01
5,00	9,80	1570	16,80	14,08
6,00	14,20	1570	24,20	20,28
7,00	19,30	1570	32,90	27,60
8,00	25,20	1570	43,00	36,05
10,00	39,30	1570	67,20	56,30
12,00	56,60	1570	92,00	81,10

不銹鋼鋼索 7 x 19 AISI 316

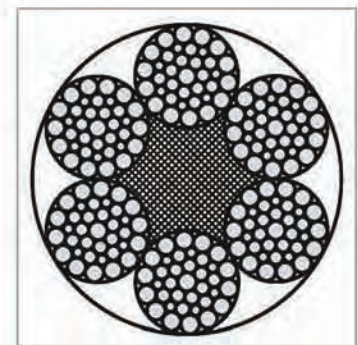
Stainless wire rope 7 x 19



- material: AISI 316

nominal Ø mm	weight per kg/100m	tensile strength N/mm ²	calculated breaking load kN	minimum breaking load kN
1,00	0,38	1570	0,65	0,52
1,50	0,86	1570	1,46	1,17
2,00	1,50	1570	2,60	2,08
2,50	2,30	1570	4,07	3,26
3,00	3,50	1570	5,86	4,69
4,00	6,10	1570	10,40	8,34
5,00	9,60	1570	16,25	13,00
6,00	13,80	1570	23,40	18,76
7,00	18,70	1570	31,85	25,50
8,00	24,30	1570	41,60	33,30
10,00	38,10	1570	65,00	52,10
12,00	54,80	1570	93,70	75,00
14,00	76,40	1570	127,50	102,00
16,00	97,40	1570	166,60	133,00

不銹鋼鋼索 6 x 36 + PPC

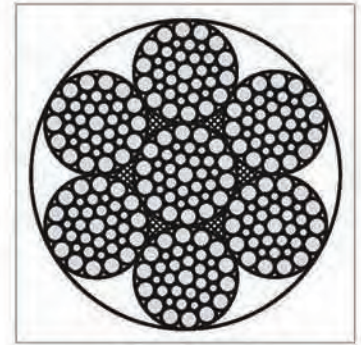


- material: AISI 316

nominal Ø mm	weight per kg/100m	tensile strength N/mm ²	calculated breaking load kN	minimum breaking load kN
8,00	24,00	1570	39,46	33,15
10,00	38,00	1570	61,66	51,80
12,00	54,70	1570	88,70	74,59
14,00	74,50	1570	120,80	101,50
16,00	97,30	1570	157,80	132,60
18,00	123,00	1570	199,70	167,80
20,00	152,00	1570	246,50	207,00

不銹鋼鋼索 6 x 36 + PPC AISI 316

Stainless wire rope 6 x 36 + IWRC



- material: AISI 316

nominal Ø mm	weight per kg/100m	tensile strength N/mm ²	calculated breaking load kN	minimum breaking load kN
8,00	26,70	1570	45,78	35,80
10,00	42,00	1570	71,50	55,90
12,00	60,00	1570	103,00	80,55
14,00	82,00	1570	140,00	109,50
16,00	107,00	1570	183,00	143,00
18,00	135,00	1570	231,75	181,00
20,00	167,00	1570	286,00	223,70
22,00	202,00	1570	346,00	270,70
24,00	241,00	1570	412,00	322,00
26,00	283,00	1570	483,00	378,00

PVC披覆不銹鋼鋼索 AISI 316

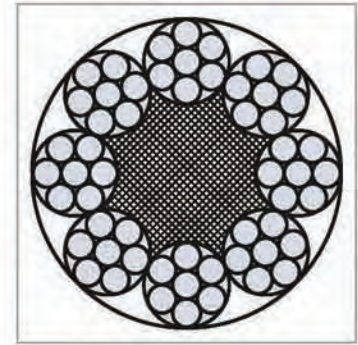
PVC-coated tainless wire rope

- material: AISI 316

colour	1 x 19 mm	7 x 7 mm	7 x 19 mm
transparent	—	2,0/3,0	—
transparent	—	2,5/3,5	—
transparent	—	—	4,0/5,0
transparent	—	—	4,0/6,0
transparent	—	—	5,0/7,0
transparent	—	—	6,0/8,0
transparent	—	—	8,0/10,0
transparent	—	—	10,0/12,0
white	2,5/3,5	—	—
white	3,0/5,0	3,0/5,0	—
white	3,0/7,0	—	—
white	4,0/6,0	4,0/6,0	—
white	—	4,0/7,0	—
white	4,0/8,0	4,0/8,0	—
white	—	5,0/7,0	—
white	5,0/8,0	—	—
white	6,0/9,0	6,0/9,0	—

不銹鋼鋼索8 x 7 + PPC AISI 316

Stainless wire rope 8 x 7 + PPC

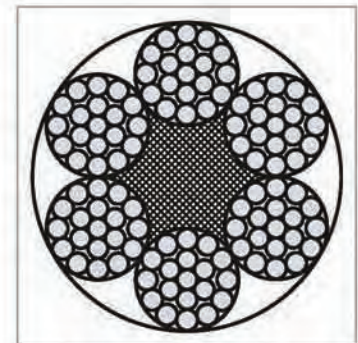


- material: AISI 316

nominal \varnothing mm	weight per kg/100m	tensile strength N/mm ²	calculated breaking load kN	minimum breaking load kN
6,50	14,80	1770	25,55	22,23
8,00	22,30	1770	38,71	33,68
10,00	34,00	1770	60,48	52,62

不銹鋼鋼索6 x 19 + PPC AISI 316

Stainless wire rope 6 x 19 + PPC



- material: AISI 316

nominal \varnothing mm	weight per kg/100m	tensile strength N/mm ²	calculated breaking load kN	minimum breaking load kN
8,00	22,15	1570	35,91	30,88
10,00	34,60	1570	56,10	48,25

grade	DIN	SIS	SIS (14)	AFNOR	BS
1.4301	x 5CrNi 18 10	304	2333	Z6CN 18-9	304 S 15
1.4401	x 5CrNiMo 17 12 2	316	2343	Z6CND 17-11	316 S 16

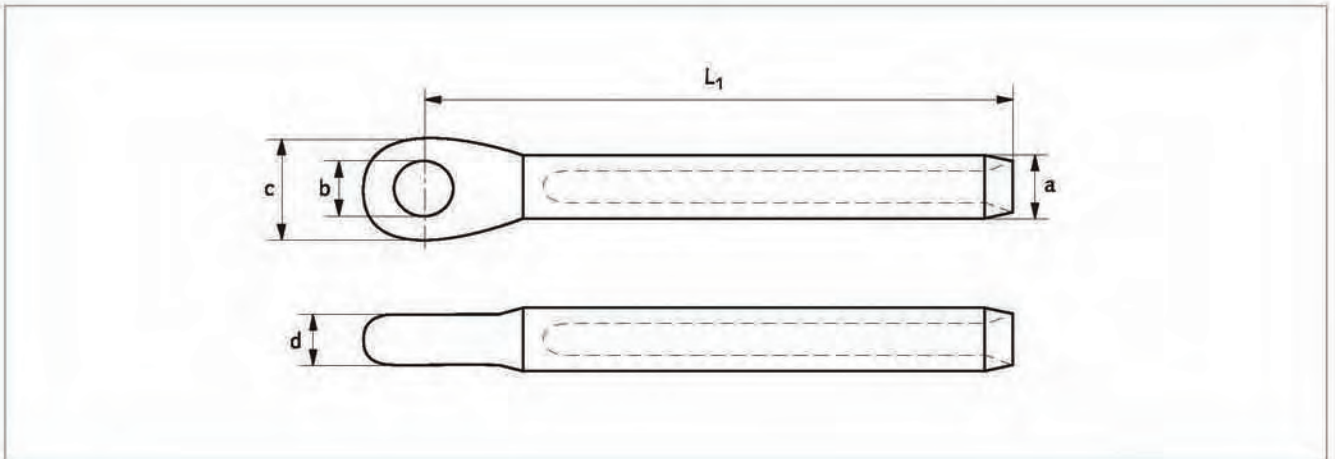
material No.	C max %	Cr %	Ni %	Mn max %	Si max %	S max %	Mo %
1.4301	0,07	17,0-19,0	8,5-10,0	2,0	1,0	0,03	—
1.4401	0,07	16,5-18,5	10,5-13,5	2,0	1,0	0,03	2,0-2,5

不銹鋼眼型尾端接頭AISI 316

Eye terminals

• material: AISI 316

• finish: polished



wire rope dia	outside dia	inside dia eye	outside dia eye	material thickness eye	length
mm	a mm	b mm	c mm	d mm	L ₁ mm
3	6,35	6,4	15,0	5,0	55,5
4	7,50	8,1	18,0	6,0	64,0
5	9,00	9,6	19,5	7,5	72,0
6	12,50	12,8	24,5	10,0	86,0
7	14,20	12,8	27,0	10,0	100,0
8	16,10	16,2	30,5	13,0	112,5
10	17,80	16,2	33,5	14,0	134,0
12	20,00	19,2	40,0	18,0	156,5

Dimension divergences and technical changes reserved!

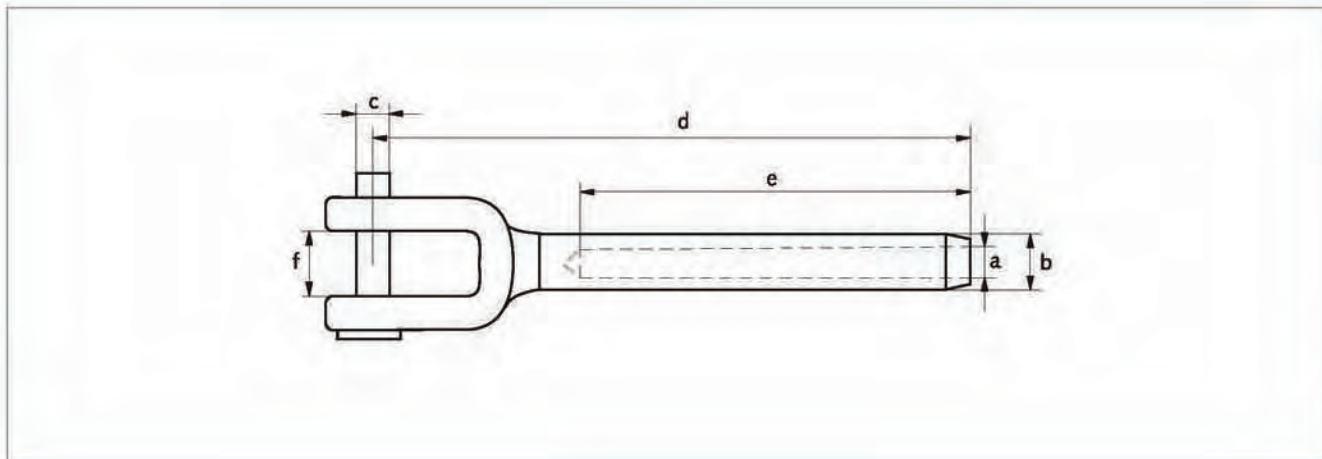


不銹鋼叉式尾端接頭 AISI 316

Fork terminals

• material: AISI 316

• finish: polished



wire rope dia	inside dia eye	outside dia	dia pin	length	length inside	width inside jaw	weight per 100 pcs.
mm	a mm	b mm	c mm	d mm	e mm	f mm	in kg
3	3,3	6,3	5,2	65	32	7,5	2,3
4	4,3	7,5	6,2	77	40	10	4,9
5	5,3	9	8,7	88	57	12	7,2
6	6,6	12,5	9,7	106	63	14	13,9
7	7,5	14,2	12,6	116	70	14,5	18,1
8	8,3	16	14,6	145	85	16	21,6
10	10,5	17,8	16,5	150	89	17	52
12	12,5	20	19	204	105	25	67

Dimension divergences and technical changes reserved!

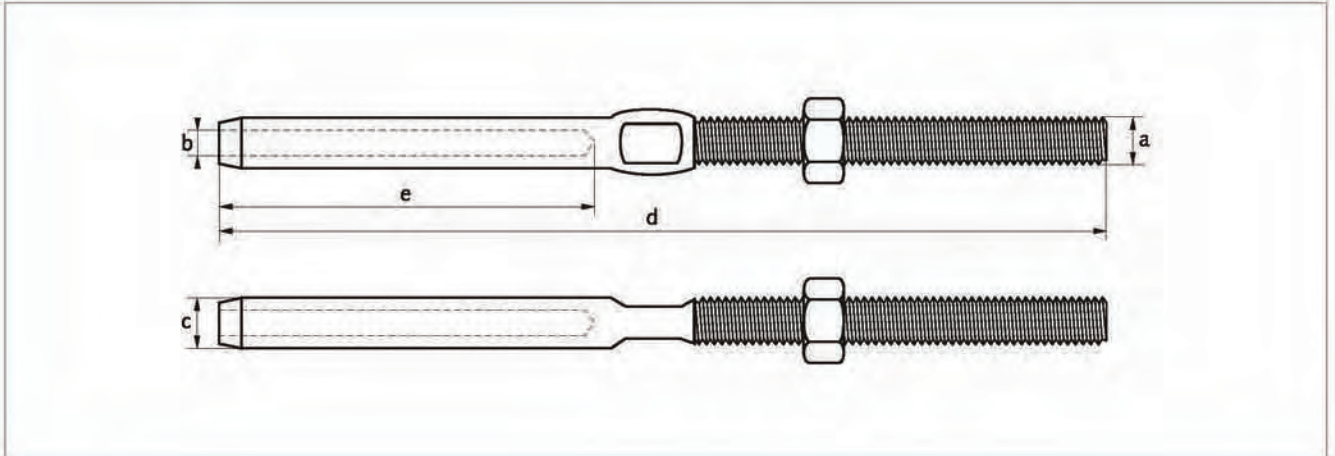


不銹鋼柱螺柱接頭AISI 316

Stud terminals

• material: AISI 316

• finish: polished



wire rope dia	thread diameter	inside dia eye	outside dia	total length	length	weight per 100 pcs.
mm	a mm	b mm	c mm	d mm	e mm	in kg
3	M 6	3,3	6,3	100	39	2,7
4	M 8	4,3	7,5	117	45	5,4
5	M 10	5,3	9	130	51	7,8
6	M 12	6,3	12	162	64	15,1
8	M 16	8,3	16	195	76	23,2
10	M 20	10,3	18	230	89	59

Dimension divergences and technical changes reserved!



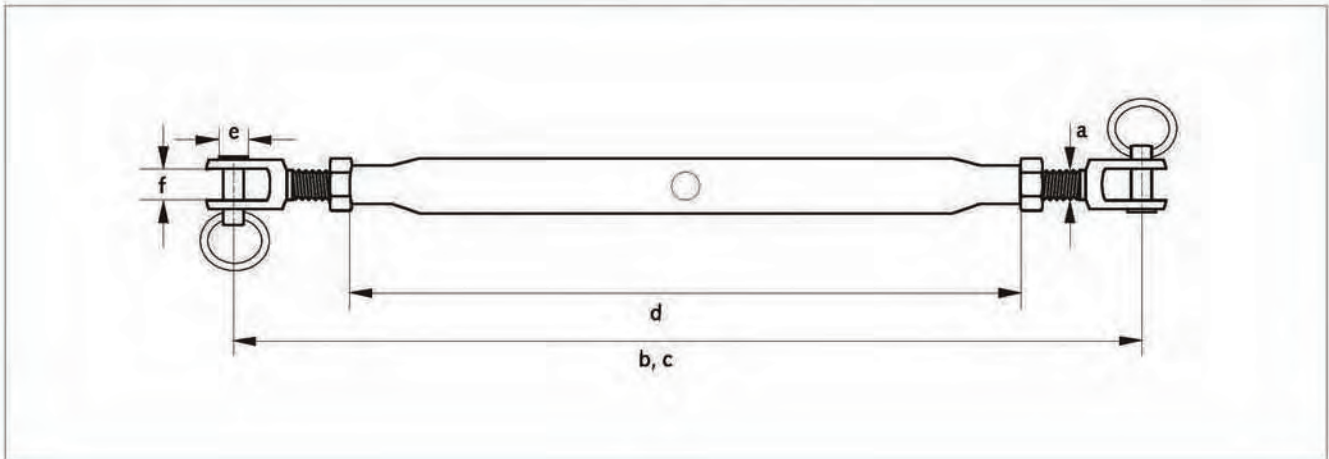
不銹鋼吊掛伸縮器AISI 316(開口對開口)

Rigging screws

jaw - jaw

• material: AISI 316

• finish: polished



thread diameter	length open position	length closed position	length body	dia pin	width jaw	weight per 100 pcs.
a mm	b mm	c mm	d mm	e mm	f mm	in kg
M 5	190	125	80	5,2	6	6,5
M 6	210	155	95	6,2	7,5	8,1
M 8	240	180	105	8,7	10	13,9
M 10	270	220	125	9,7	12	25,3
M 12	360	255	150	12,7	14	57,3
M 14	385	270	165	12,7	14	64
M 16	450	320	190	16	16	94,2
M 20	450	355	210	19	20	145

Dimension divergences and technical changes reserved!



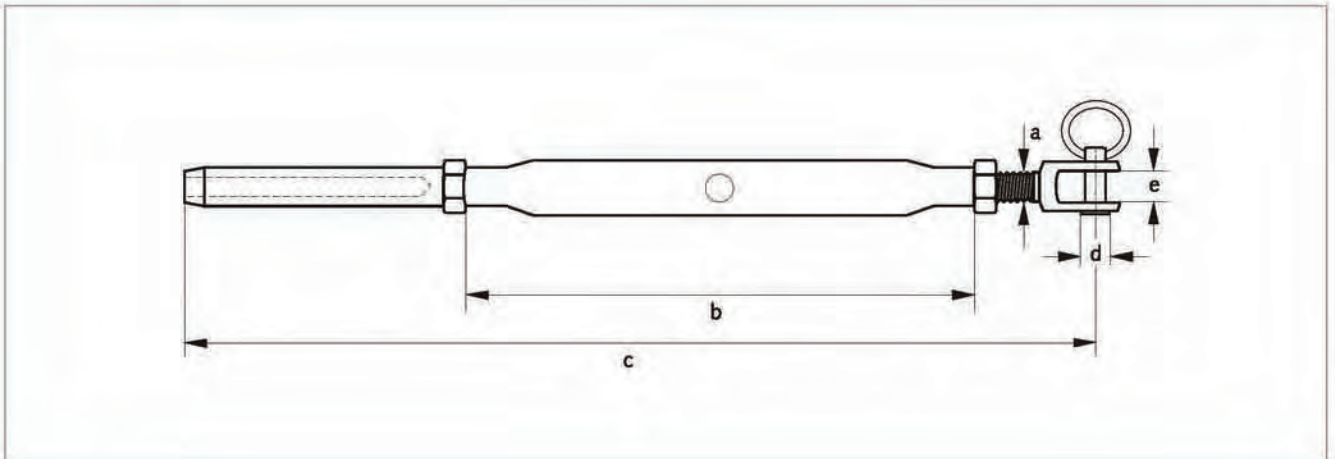
不銹鋼伸吊掛伸縮器(開口對結合端)AISI 316

Rigging screws

jaw - terminal

• material: AISI 316

• finish: polished



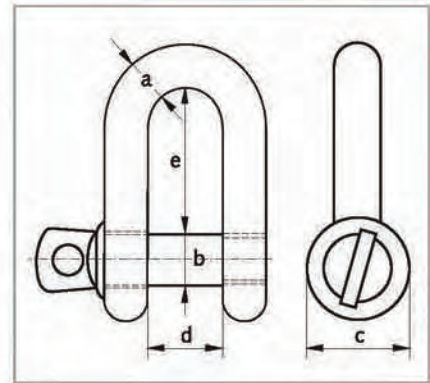
wire rope dia	thread diameter	length body	total length	pin dia	opening jaw	breaking load
mm	a mm	b mm	c mm	d mm	e mm	in kg
2,5	M 5	155	220	5	6,5	1.000
3	M 6	185	255	6	7	1.300
4	M 8	205	305	8	10	2.500
5	M 10	235	360	8	12	3.500
6	M 12	290	420	12	14	5.800
7	M 14	310	435	12,7	14	7.500
8	M 16	355	500	12,7	16	9.500
10	M 20	415	580	15,5	20	12.500

Dimension divergences and technical changes reserved!



不銹鋼U型卸克AISI 316 Shackles

- material: AISI 316
- finish: polished



- dee shackles with screw pin

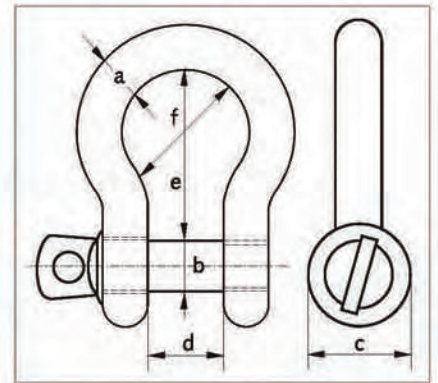
WLL	dia bow	dia pin	dia eye	width inside	length inside	weight per 100 pcs.
to	a mm	b mm	c mm	d mm	e mm	in kg
—	4	4	8	8	16	1,1
0,12	5	5	10	10	20	1,6
0,15	6	6	12	12	24	2,4
0,3	8	8	16	16	32	5,6
0,4	10	10	20	20	40	13
0,6	12	12	24	24	48	20
1	16	16	32	32	64	48
1,5	19	19	38	38	76	84
2	22	22	44	44	88	127
3	25	25	50	50	100	184
3,5	28	28	56	56	112	250
4,5	32	32	64	64	128	372

Dimension divergences and technical changes reserved!



不銹鋼葫蘆插梢型卸克 AISI 316 Shackles

- material: AISI 316
- finish: polished



- bow shackles with screw pin

WLL	dia bow	pin dia	dia bow	width inside	length inside	width bow	weight per 100 pcs.
to	a mm	b mm	c mm	d mm	e mm	f mm	in kg
—	4	4	8	8	16	14	1,2
0,12	5	5	10	10	20	17	1,8
0,15	6	6	12	12	24	21	2,8
0,3	8	8	16	16	32	28	6,4
0,4	10	10	20	20	40	34	15
0,6	12	12	24	24	48	42	22
1	16	16	32	32	64	56	55
1,5	19	19	38	38	76	66	97
2	22	22	44	44	88	77	146
3	25	25	50	50	100	87	211
3,5	28	28	56	56	112	98	285
4,5	32	32	64	64	128	112	326

Dimension divergences and technical changes reserved!

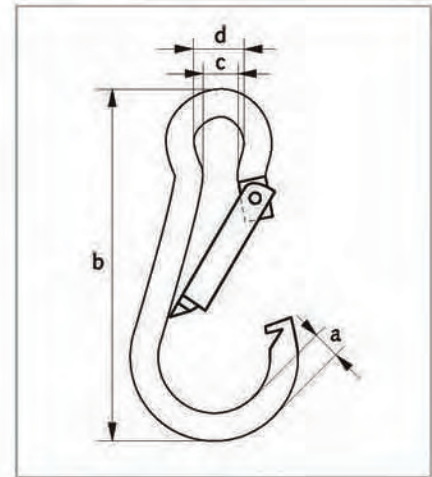


不銹鋼卡賓鎗型鉤頭AISI 316

Carabine hooks

Standard type

- material: AISI 316
- finish: polished



dia material	length	width inside	dia	minimum breaking load	weight per 100 pcs.
a mm	b mm	c mm	d mm	in kg	in kg
4	40	5	7	70	0,6
5	50	7	8	110	0,8
6	60	7	9	132	1,6
7	70	9	10	198	2,6
8	80	11	12	330	4,4
9	90	11	12	363	6,4
10	100	12	15	506	9,3
11	120	14	18	660	12,5
12	140	16	20	748	19,5
13	160	20	22	880	25
14	180	20	22	946	35

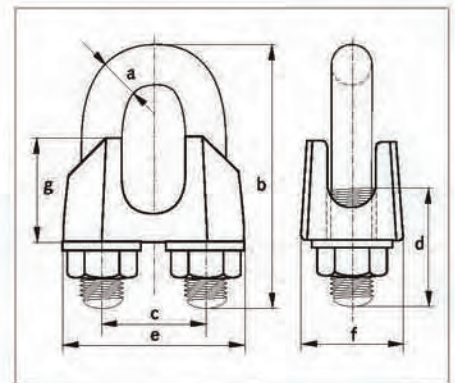
Dimension divergences and technical changes reserved!



不銹鋼鋼索夾 DIN 741

Wire rope clips similar to DIN 741

- **material:** bridge: 1.4401, nuts: 1.4401
U-bolt: 1.4401
- **finish:** polished



wire rope dia	dia bow	length bow	width	length thread	length base	thickness base	height base	weight per 100 pcs.
mm	a mm	b mm	c mm	d mm	e mm	f mm	g mm	in kg
3	4	20	9	12	21	10	10	1,4
5	5	24	11	13	23	11	10	1,5
6	5	28	13	15	26	12	11	2,1
8	6	34	16	19	30	14	15	4,1
10	8	42	19	22	34	18	17	6,8
13	10	55	24	30	42	23	21	13
16	12	63	29	33	50	26	26	21
19	12	75	32	38	54	29	30	28
22	14	85	37	44	61	33	34	40

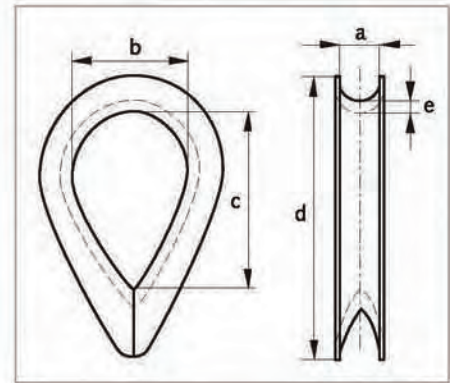
Dimension divergences and technical changes reserved!



不銹鋼毛眼DIN 741 AISI 316

Thimbles similar to DIN 741

- material: AISI 316
- finish: polished



width groove	width inside	length inside	length	thickness back	weight per 100 pcs.
a mm	b mm	c mm	d mm	e mm	in kg
2	9	15	23	1	0,2
2,5	9,5	15,7	24	1	0,2
3	10	16	25	1	0,4
4	11	17	28	1	0,5
5	13	20	32	1	0,6
6	16	25	39	1,2	1
7	18	28	40	1,2	1,2
8	20	32	49	1,4	1,8
10	26	40	55	1,9	2,9
12	28	45	70	2	4,6
14	34	56	80	2,2	7,3
16	37	62	85	2,5	9,7
18	42	65	95	2,5	16,5
20	45	78	115	3	21,3
22	50	88	125	3	22,3
24	58	99	135	4	40,5
26	66	105	140	4	49,7

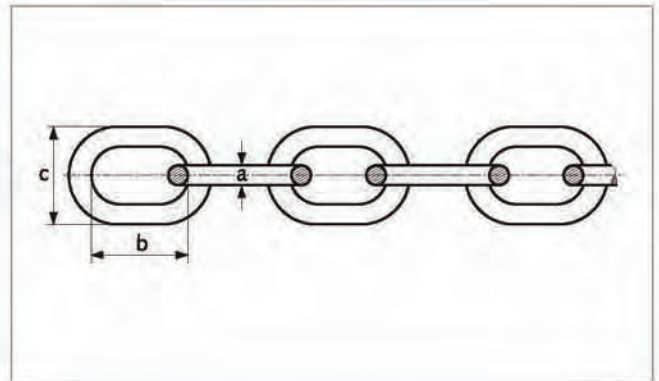
Dimension divergences and technical changes reserved!



不銹鋼短目鍊 DIN766 AISI 316 Short link chain

similar to DIN 766

- material: AISI 316

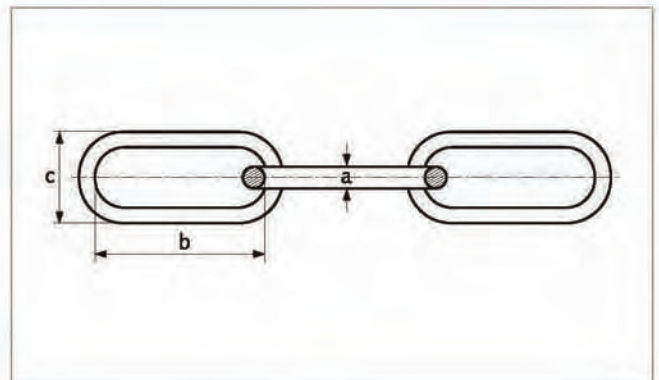


material diameter	length inside	width outside	minimum breaking load	weight per meter
a mm	b mm	c mm	in kg	in kg
3	16	11	340	0,17
4	16	14	800	0,32
5	18,5	17	1.250	0,5
6	18,5	20	1.600	0,75
8	24	26	3.200	1,35
10	28	34	5.000	2,25

不銹鋼長目鍊 DIN763 AISI 316 Long link chain

similar to DIN 763

- Material: AISI 316



material diameter	length inside	width outside	minimum breaking load	weight per meter
a mm	b mm	c mm	in kg	in kg
3	26	12	340	0,14
4	32	16	800	0,27
5	36	20	1.250	0,43
6	42	24	1.600	0,63
7	48	28	2.500	0,86
8	54	32	3.200	1,1
10	66	40	5.000	1,75

Dimension divergences and technical changes reserved!